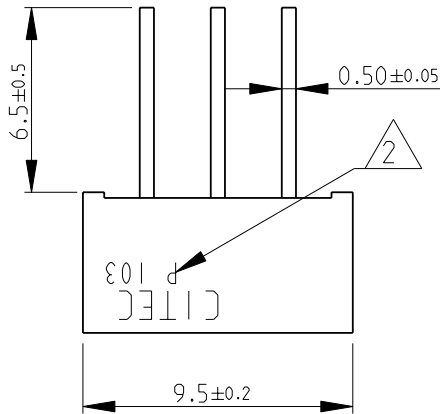
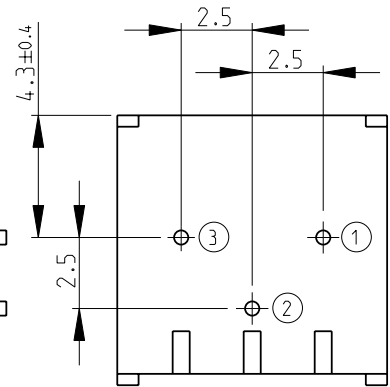
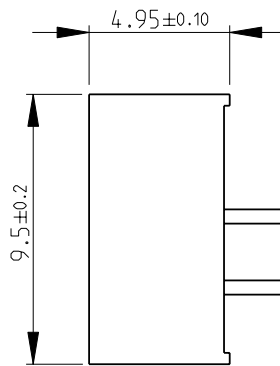
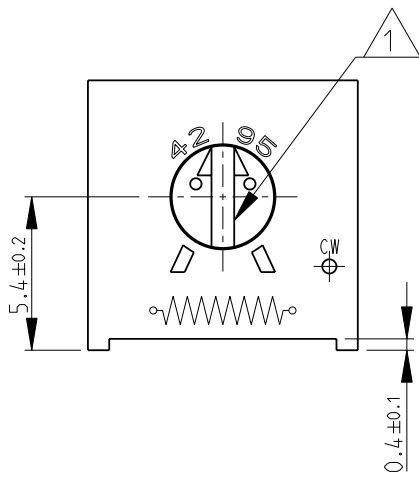


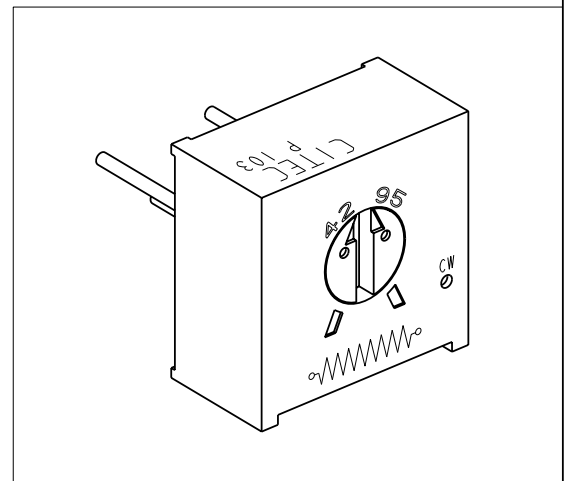
LOC	DIST	REVISIONS				
P	LTR	DESCRIPTION	DATE	DWN	APVD	
E	B	BA	NEW RELEASE	17-NOV-08	SM	St.P



- 1 TOP ADJUSTMENT SLOT:
LENGTH- 3.7±0.2, WIDTH- 0.8±0.1, DEPTH- 0.8±0.1
- 2 MARKING: RESISTANCE VALVE AND PIN ORIENTATION
- 3 FOR FURTHER INFORMATION SEE DATA SHEET FOR
4295 SERIES-PROFESSIONAL TRIMMERS



RoHS Compliant



2008

RELEASED FOR PUBLICATION

© COPYRIGHT 2008 BY TYCO ELECTRONICS CORPORATION. ALL RIGHTS RESERVED.

THIS DRAWING IS UNPUBLISHED.

DIMENSIONS: mm	DWN	17-NOV-08	MATERIAL	FINISH		
	SUBHASH.M		-	-		
TOLERANCES UNLESS OTHERWISE SPECIFIED:	CHK	17-NOV-08	Tyco Electronics Corporation Dorcan, Swindon, SN3 5HH			
	APVD	17-NOV-08				
0 PLC ±0.2	STEPHEN.P		NAME PROFESSIONAL TRIMMERS SERIES 4295P			
1 PLC ±0.1	PRODUCT SPEC	-				
2 PLC ±	APPLICATION SPEC	-	SIZE	CAGE CODE	DRAWING NO	RESTRICTED TO
3 PLC ±			A 4	00779	©=1623836	-
4 PLC ±	WEIGHT	0.85g	CUSTOMER DRAWING			
ANGLES ±5°			SCALE	SHEET	OF	REV
			4:1	1	1	BA