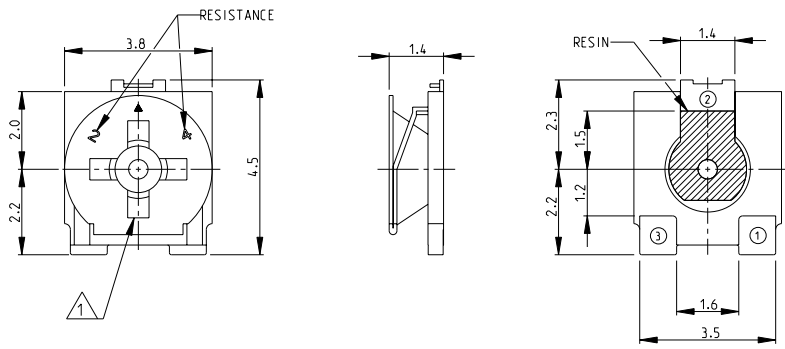
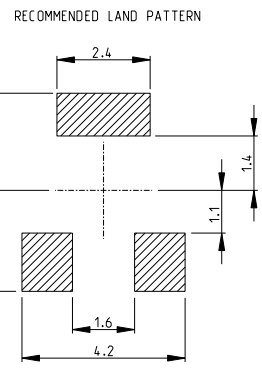


THIS DRAWING IS UNPUBLISHED. RELEASED FOR PUBLICATION 2008
 © COPYRIGHT 2008 BY TYCO ELECTRONICS CORPORATION. ALL RIGHTS RESERVED.

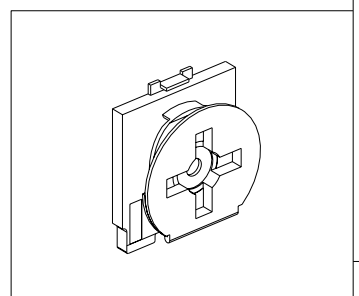
LOC	DIST	REVISIONS				
P	LTR	DESCRIPTION	DATE	DWN	APVD	
E	B	BB	NEW RELEASE	12-NOV-08	SM	ST.P



1 DRIVER SLOT: WIDTH- 0.55mm. LENGTH- 2.5mm. DEPTH- 0.35mm
 2 FOR FURTHER INFORMATION SEE DATA SHEET FOR 3150 SERIES-SMD ECONOMY TRIMMERS



RoHS Compliant



<small>THIS DRAWING IS A CONTROLLED DOCUMENT FOR TYCO ELECTRONICS CORPORATION IT IS SUBJECT TO CHANGE AND THE CONTROLLING ENGINEERING ORGANIZATION SHOULD BE CONTACTED FOR THE LATEST REVISION.</small>		DWN SUBHASH.M 12-NOV-08 CHK PRAKASH.S 12-NOV-08 APVD STEPHEN.P 12-NOV-08	Tyco Electronics Corporation Dorcan, Swindon, SN3 5HH
DIMENSIONS: mm	TOLERANCES UNLESS OTHERWISE SPECIFIED: 0 PLC ±0.2 1 PLC ±0.1 2 PLC ± 3 PLC ± 4 PLC ± ANGLES ±5°	NAME SMD ECONOMY TRIMMERS SERIES 3150	RESTRICTED TO
MATERIAL - FINISH -	WEIGHT 0.2g	SIZE A3 CAGE CODE 00779 DRAWING NO C=1623913	SCALE 10:1 SHEET 1 OF 1 REV BB
CUSTOMER DRAWING			

AMP 1470-19 REV 31MAR2000
 Pro/ENGINEER DRAWING