

4

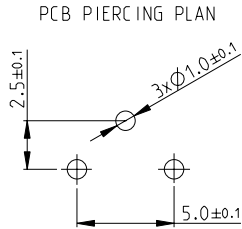
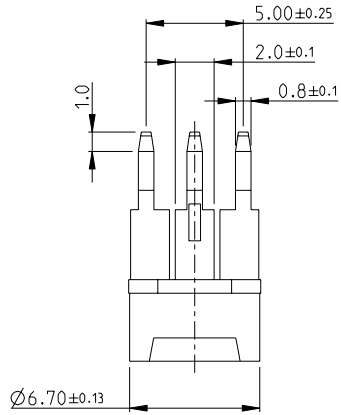
3

2

1

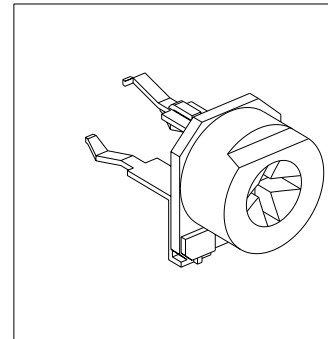
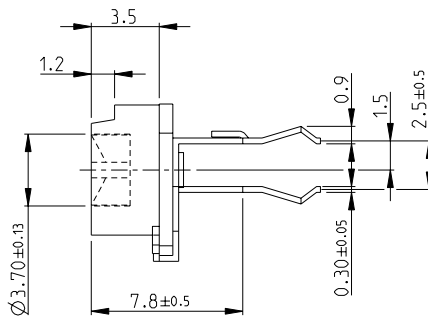
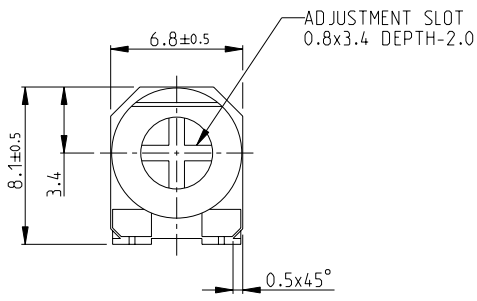
THIS DRAWING IS UNPUBLISHED. RELEASED FOR PUBLICATION 2008
 © COPYRIGHT 2008 BY TYCO ELECTRONICS CORPORATION. ALL RIGHTS RESERVED.

LOC		DIST		REVISIONS			
P	LTR	DESCRIPTION		DATE	DWN	APVD	
	BA	NEW RELEASE		29-JUL-08	SM	ST.P	



FOR FURTHER INFORMATION SEE DATA SHEET FOR
416 SERIES-ECONOMY TRIMMERS

RoHS Compliant



<small>THIS DRAWING IS A CONTROLLED DOCUMENT FOR TYCO ELECTRONICS CORPORATION IT IS SUBJECT TO CHANGE AND THE CONTROLLING ENGINEERING ORGANIZATION SHOULD BE CONTACTED FOR THE LATEST REVISION.</small>		DWN SUBHASH 29-JUL-08 CHK PRAKASH 29-JUL-08 APVD STEPHEN.P 29-JUL-08	Tyco Electronics Corporation Dorcan, Swindon, SN3 5HH
DIMENSIONS: mm	TOLERANCES UNLESS OTHERWISE SPECIFIED: 0 PLC ±0.5 1 PLC ±0.2 2 PLC ±0.1 3 PLC ± 4 PLC ± ANGLES ±5°	NAME ECONOMY TRIMMERS SERIES 416P	RESTRICTED TO
MATERIAL -	FINISH -	SIZE A3 CAGE CODE 00779 DRAWING NO ©-1623894	WEIGHT - APPLICATION SPEC - PRODUCT SPEC -
CUSTOMER DRAWING		SCALE 5:1	SHEET 1 OF 1 REV BA