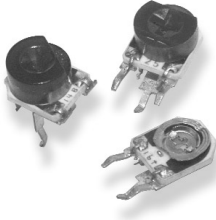


Type 416 Series

Type 416 Series



This tiny 6mm square cermet trimmer is offered with alternative adjustment covers for screwdriver and automatic setting and can be supplied in bulk or taped in ammo pack. The 416 can be adjusted from the top or side and is an inexpensive solution to high reliability potentiometer requirements. This series is used to replace some of the larger, expensive, sealed types in high volume circuits.

Key Features

- Stable High Resolution Cermet Element
- Space-Saving Device
- 0.2 Watt Rating at 70°C
- Wide Value Range
- Available Taped for Auto Insertion
- Dust and Splash Proof
- Top or Side Adjustment
- Auto Adjust Head Available
- Widely Available via Distribution

Characteristics - Electrical

Resistance Range:	100R to 1M
Resistance Values:	1, 2, 5 in each decade
Resistance Tolerance:	± 25%, (±20% by selection)
End Resistance:	1% Nominal or 10 ohms maximum, whichever is greater.
Wiper Current:	50mA
Power Rating:	0.2W at 70°C Derating to zero at 100°C
Limiting Element Voltage:	100V DC or AC RMS maximum
Rotational Noise (CRV):	3% maximum
Temperature Coefficient:	±250ppm/°C

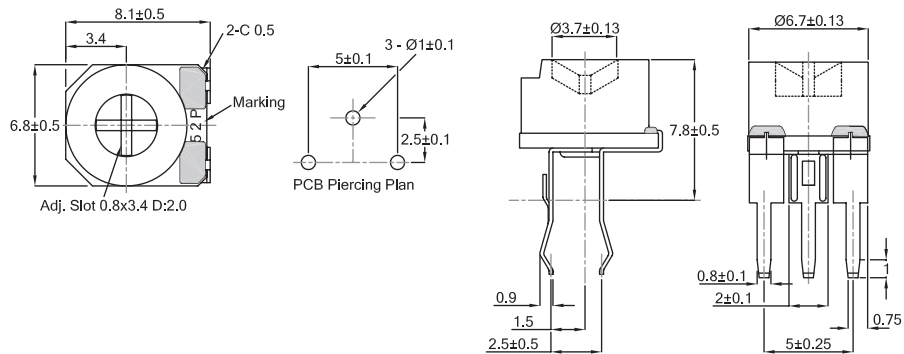
Characteristics - Mechanical

End Stop:	50 mNm minimum
Starting Torque:	30 mNm maximum
Mechanical Adjustment:	240° nominal
Operational Life:	100 turns

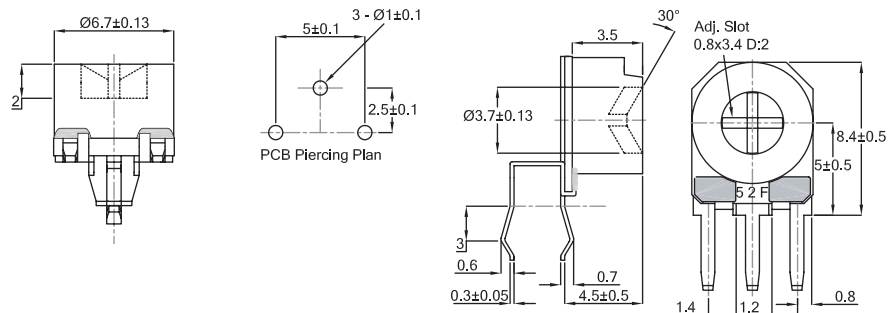
Characteristics - Environmental

Temperature Range:	- 25°C to + 100°C
Load Life at 70°C:	ΔR < 5% after 1000 hours
Sealing:	Dust Proof
Climatic Category:	25/100/21

Dimensions 416P

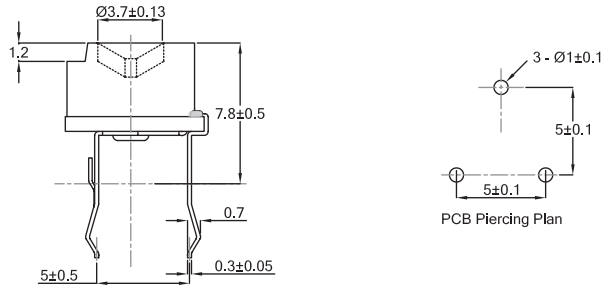


416X



Type 416 Series

**Dimensions
416M**



How to Order

416	P	A	104	M
Common Part	Adjustment Style / Configuration	Adjustment Head	Resistance Value	Tolerance
416-6mm Low Cost Trimmer	P - Top Adjust 2.5mm x 5.0mm M - Top Adjust 5.0mm x 5.0mm X - Side Adjust 2.5mm x 5.0mm	A - Cross Slot R - Auto Adjust X - Skeleton	The first two digits are significant figures of resistance value and the third denotes the number of zeros following. e.g. 100R: 101 1K0: 102 10K: 103 100K: 104	P - 25% (M - 20% by selection only)

Please state top or side adjustments on all orders