

4

3

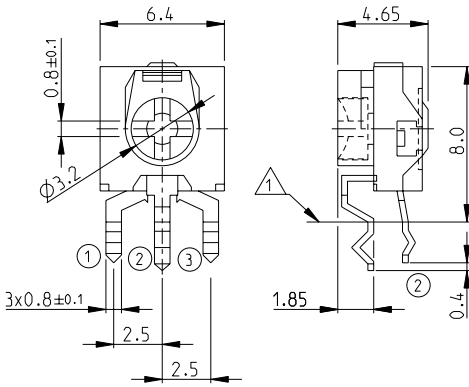
2

1

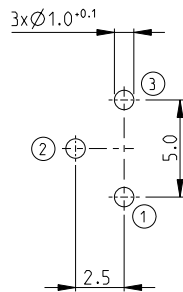
THIS DRAWING IS UNPUBLISHED. RELEASED FOR PUBLICATION 2008
 © COPYRIGHT 2008 BY TYCO ELECTRONICS CORPORATION. ALL RIGHTS RESERVED.

LOC	DIST	REVISIONS			
P	LTR	DESCRIPTION	DATE	DNW	APVD
E	B	BA1	PCB LAYOUT PLAN FOR CT6H IS CORRECTED	120CT2010	PT ST.P

CT6V AS SHOWN



PCB LAYOUT PLAN FOR CT6V

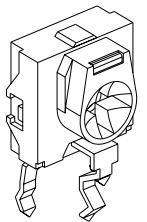


△ MOUNTING SURFACE

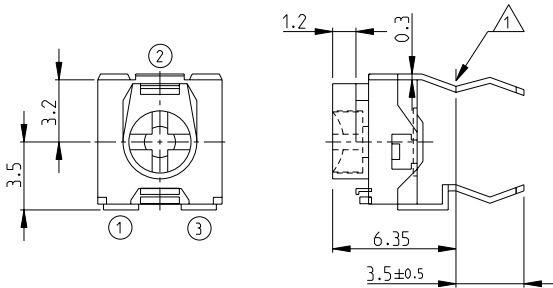
2 FOR FURTHER INFORMATION SEE DATA SHEET FOR CT6 SERIES-ECONOMY TRIMMERS

RoHS Compliant

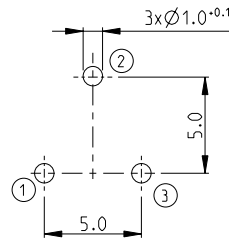
CT6V



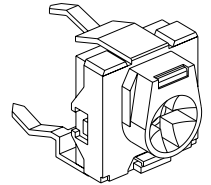
CT6H AS SHOWN



PCB LAYOUT PLAN FOR CT6H



CT6H



<small>THIS DRAWING IS A CONTROLLED DOCUMENT FOR TYCO ELECTRONICS CORPORATION. IT IS SUBJECT TO CHANGE AND THE CONTROLLING ENGINEERING ORGANIZATION SHOULD BE CONTACTED FOR THE LATEST REVISION.</small>		DWN: SUBHASH.M 21-OCT-08 CHG: PRAKASH.S 21-OCT-08 APVD: STEPHEN.P 21-OCT-08	Tyco Electronics Tyco Electronics Corporation Dorcan, Swindon, SN3 5HH	
DIMENSIONS: mm	TOLERANCES UNLESS OTHERWISE SPECIFIED: 0 PLC ± 0.5 1 PLC ± 0.2 2 PLC ± 0.1 3 PLC ± - 4 PLC ± - ANGLES ± 5°	NAME: ECONOMY TRIMMERS SERIES CT6 PRODUCT SPEC: - APPLICATION SPEC: - WEIGHT: -	SIZE: A3 CAGE CODE: 00779 DRAWING NO: 1623891	RESTRICTED TO: -
MATERIAL: - FINISH: -		CUSTOMER DRAWING		SCALE: 1:1 SHEET 1 OF 1 REV: BA1