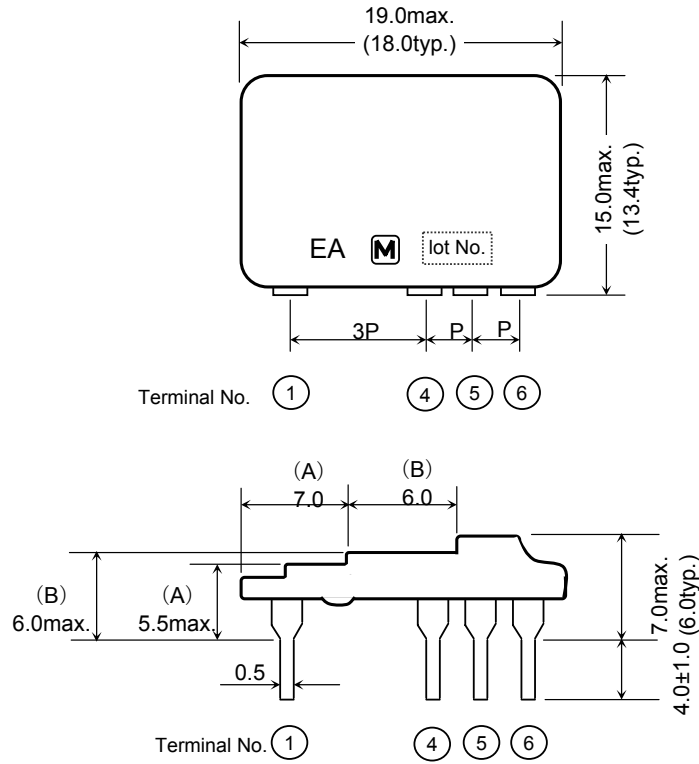


[External Form, Dimensions]



P=2.54

Unit ; mm

Item	Contents
Materials of leadpins	Steel or Phosphor bronze lead with tin plating (0.5 × 0.25t)
Color	Black
Material of resin	Phenol denatured epoxy resin (Flame class: UL94V-0)
External appearance	Without noticeable flaw and stain
Marking	Silver White and clear
Notes	Bottom edge of substrate must not be molded
	Dimensions which have no tolerance show the typical values.
	Terminal No.2,3 are removed.

[Absolute Maximum Ratings]

No.	Item	Symbol	Rating	Unit	Remarks
1	Power Supply	Vin	-170	VDC	
2	Operational Temperature	Topr	-25 to +85	degC	Refer to derating curve. Avoid dew condensation (note3)
3	Storage Temperature	Tstg	-25 to +105	degC	

[Electric Characteristics]

Ambient Temperature : 25 degC

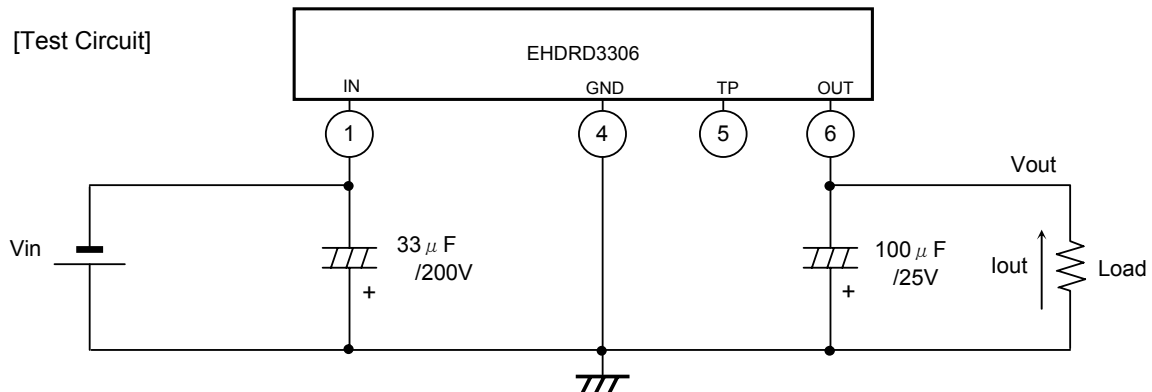
No.	Item	Symbol	Specification			Unit	Condition/notes
			Min.	Typ.	Max.		
1	Input voltage range	Vin	-113	-141	-170	VDC	
2	Output voltage	Vout	-4.75	-5.10	-5.35	VDC	Vin=-141VDC Iout=-100mA
3	Output current	Iout	—	—	-30	mA	Vin=-141 to -170VDC (note1)
4	Line regulation	Vr	—	0.02	0.15	VDC	Vin=-113 to -170VDC Iout=-30mA
5	Load regulation	VI	—	0.01	0.15	VDC	Vin=-141VDC Iout=0 to -30mA
6	Output ripple voltage	Vp	—	0.02	0.15	Vp-p	Vin=-141VDC Iout=-30mA (note2)
7	Efficiency	η	35	46	—	%	Vin=-141VDC Iout=-30mA

note1 : Please refer to the derating curve for maximum output current.

note2 : The output ripple doesn't include the spike noise.

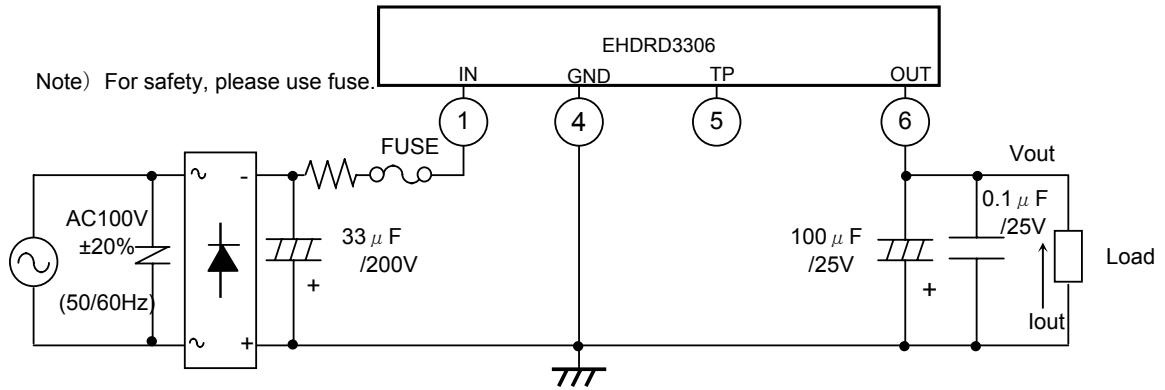
note3 : Avoid dew condensation always.

[Test Circuit]



We recommend Low Impedance Aluminium capacitors for power supply.

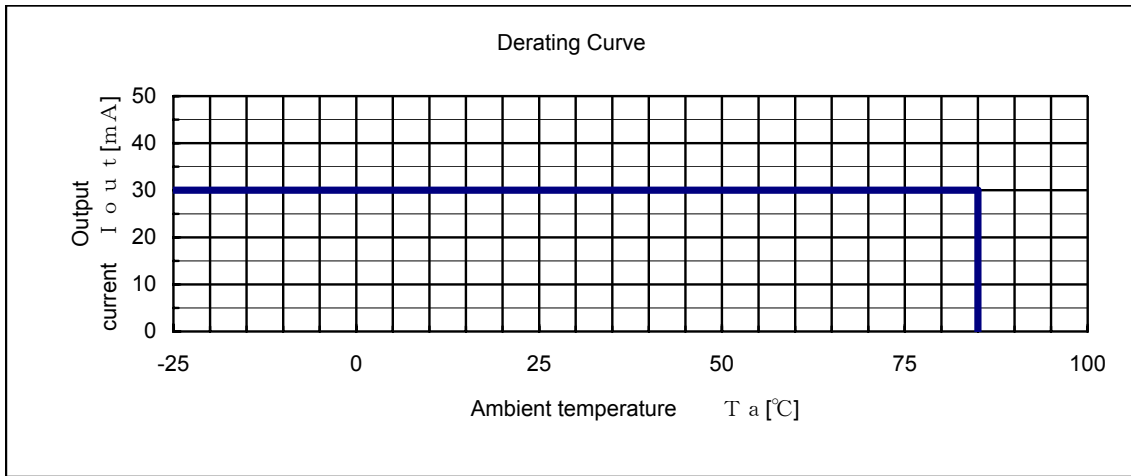
[Application]



We recommend low impedance Aluminium capacitors for power supply.

[Derating Curve]

Vin=-113V to -170VDC



[Circuit Diagram]

