

SM**LAMBDA** 

An Invensys company

**10-20****WATTS****DC/DC CONVERTERS****SINGLE, DUAL OR TRIPLE OUTPUT****Non moulded case****Low profile****Natural convection****Input 24VDC or 48VDC (2:1)****EN55022-B with external filter****Fast start up capability****Guarantee 2 years**

(a) As a result of a breakthrough in heat dissipation technology the SM series offers improved thermal management, where the need for heavy thermal potting has been eliminated. The result is a lighter product, more applicable for SMT pick and place and enabling higher packing densities.

(b) 48V input models comply with EN55022 and FCC part 15 level B (with external low ESR capacitor).

INPUT

Input voltage range	24V nom-18 to 36VDC 48V nom-36 to 75 VDC
---------------------	---

OUTPUT

Power (convection cooled)	10 to 20 W
Output adjustable	±10%
Line regulation	0.2%
Load regulation	1% (10% to 100% load change)
Ripple and noise (value peak to peak)	75mV p-p ~ 100mV p-p
Temperature coefficient	±0.015% for °C
Over voltage protection	Prefixed threshold.

GENERAL

Remote on/off	Yes
Switch on time	≤10ms
Efficiency (type)	80%
Voltage isolation :	
Input-output	1500VDC in input 48VDC 700VDC in input 24VDC

ENVIRONMENTAL

Operating temperature range at full load	SM10 -40°C to +70°C SM20 -40°C to +60°C
Derating	Linear until 105°C (P=0W)
Storage temperature	-55°C to +125°C
Relative humidity in utilisation	5% ~ 95%
Shock	70G on the 6 faces
Vibration	2.5G RMS, 10HZ ~ 500HZ, 1 hour each axis
EMI	EN55022/B with external filter

EDITION 2001

TABLE OF MODELS

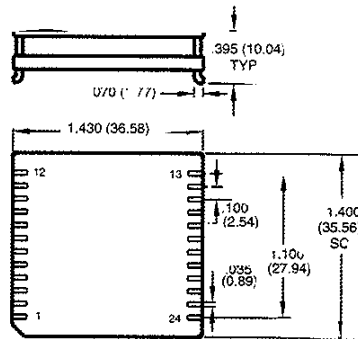
Volts	Amp.	Watts	Model	
			Input 24V	Input 48V
Single output				
3.3	2.55	8.40	SM10-24S03	SM10-48S03
3.3	5.00	16.50	SM20-24S03	SM20-48S03
5	2.00	10.00	SM10-24S05	SM10-48S05
5	4.00	20.00	SM20-24S05	SM20-48S05
12	0.83	10.00	SM10-24S12	SM10-48S12
12	1.67	20.00	SM20-24S12	SM20-48S12
15	0.67	10.00	SM10-24S15	SM10-48S15
15	1.33	20.00	SM20-24S15	SM20-48S15

Volts	Amp.	Watts	Model	
			Input 24V	Input 48V
Dual output				
±12	0.42	10.00	SM10-24D12	SM10-48D12
±12	0.83	20.00	SM20-24D12	SM20-48D12
±12	1.25	30.00	SM30-24D12	SM30-48D12
±15	0.33	10.00	SM10-24D15	SM10-48D15
±15	0.67	20.00	SM20-24D15	SM20-48D15

PHYSICAL SPECIFICATION

SM 10

(Weight : 14 gms)



Single output

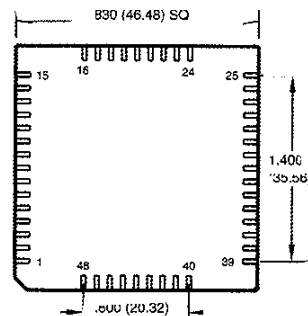
PIN	FUNCTION	PIN	FUNCTION
1	THERMAL	13	REM PROG
2	THERMAL	14	THERMAL
3	-V IN	15	THERMAL
4	-V IN	16	+V OUT
5	THERMAL	17	+V OUT
6	THERMAL	18	-V OUT
7	THERMAL	19	THERMAL
8	+V IN	20	-V OUT
9	+V IN	21	-V OUT
10	THERMAL	22	-V OUT
11	THERMAL	23	THERMAL
12	REM ON/OFF	24	THERMAL

Dual output

PIN	FUNCTION	PIN	FUNCTION
1	THERMAL	13	REM PROG
2	THERMAL	14	THERMAL
3	-V IN	15	+V OUT
4	-V IN	16	+V OUT
5	THERMAL	17	THERMAL
6	THERMAL	18	COMMON
7	THERMAL	19	COMMON
8	+V IN	20	COMMON
9	+V IN	21	THERMAL
10	THERMAL	22	-V OUT
11	THERMAL	23	-V OUT
12	REM ON/OFF	24	THERMAL

SM 20

(Weight : 22 gms)



Single output

PIN	FUNCTION
1	N/C
2	N/C
3-6	-V IN
7-10	+V IN
11-14	N/C
15	REM ON/OFF
16-24	THERMAL
25	REM PROG
26-32	+V OUT
33-39	-V OUT
40-48	THERMAL

Dual output

PIN	FUNCTION
1	N/C
2	N/C
3-6	-V IN
7-10	+V IN
11-14	N/C
15	REM ON/OFF
16-24	THERMAL
25	REM PROG
26-29	+V OUT
30-33	COMMON
34-37	-V OUT
38	N/C
39	N/C
40-48	THERMAL

NB. Products viewed from below, not above.

EDITION 2001

LAMBDA 
An Invensys company

Series SM