

Features

- Panel Mount Adaptor
- Can be used with RP30, RP40 and RP60
- Screw Terminals
- FFC / EN55022 Class B EMC Filter
- Input Fuse
- Reverse Polarity Protected
- Inrush Current Limiting (Soft Start)
- Trim Potentiometer
- Output LED Indicator
- DIN Rail Mounting Bracket Option

Description

The Recom Power Module takes a standard 30W-60W converter and mounts it on a PCB with screw terminals, an EMC filter, some input protection circuitry and a built-in heatsink to offer a complete power module that can be mounted on a bulkhead or on a standard DIN rail. The Power Module is primarily designed for transport applications such as a GPS vehicle tracking power supply or a radio communications power supply, but will also find many uses in industrial, communications or battery-powered applications.

Selection Guide Single, Dual and Triple Outputs - Bulkhead version

Power Module Part Number (Bulkhead Version)	Input Range VDC	Output Power Watts	Internal Fuse ^(nom)	Converter Series
RPM15-xxxxS_DF	9.5-18, 18-36, 36-75	15	T6A/T6A/T4A	RP15-xxxxS_DF
RPM15-xxxxS_DFW	9.5-36, 18-75	15	T6A/T4A	RP15-xxxxS_DFW
RPM20-xxxxS_DF	9.5-18, 18-36, 36-75	20	T6A/T6A/T4A	RP20-xxxxS_DF
RPM20-xxxxS_DFW	9.5-36, 18-75	20	T6A/T4A	RP20-xxxxS_DFW
RPM30-xxxxS_DE	9.5-18, 18-36, 36-75	30	T6A/T4A	RP30-xxxxS_DE
RPM30-xxxxS_DEW	10-40, 18-75	30	T6A/T4A	RP30-xxxxS_DEW
RPM40-xxxxS_D_TG	9.5-18, 18-36	40	T8A/T4A	RP40-xxxxS_D_TG
RPM40-xxxxS_DGW	9.5-36, 18-75	40	T8A/T4A	RP40-xxxxS_DGW
RPM60-xxxxSG	18-36, 36-75	60	T8A/T4A	RP60-xxxxSG

Notes:

xxxx = input/output voltage combination, for example, RPM15-1205S, RPM40-240512TG, RPM60-4812SG. Refer to table for standard values.

The fuse ratings correspond to the input voltage ranges.

Selection Guide Single and Dual Outputs - DIN rail version

Power Module Part Number (DIN Rail Version)	Input Range VDC	Output Power Watts	Internal Fuse ⁽ⁿ⁾	Converter Series
RPMD15-xxxxS_DF	9.5-18, 18-36, 36-75	15	T6A/T6A/T4A	RP15-xxxxS_DF
RPMD15-xxxxS_DFW	9.5-36, 18-75	15	T6A/T4A	RP15-xxxxS_DFW
RPMD20-xxxxS_DF	9.5-18, 18-36, 36-75	20	T6A/T6A/T4A	RP20-xxxxS_DF
RPMD20-xxxxS_DFW	9.5-36, 18-75	20	T6A/T4A	RP20-xxxxS_DFW
RPMD30-xxxxS_DE	9.5-18, 18-36, 36-75	30	T6A/T4A	RP30-xxxxS_DE
RPMD30-xxxxS_DEW	10-40, 18-75	30	T6A/T4A	RP30-xxxxS_DEW
RPMD40-xxxxS_D_TG	9.5-18, 18-36	40	T8A/T4A	RP40-xxxxS_D_TG
RPMD40-xxxxS_DGW	9.5-36, 18-75	40	T8A/T4A	RP40-xxxxS_DGW
RPMD60-xxxxSG	18-36, 36-75	60	T8A/T4A	RP60-xxxxSG

Notes:

xxxx = input/output voltage combination, for example, RPMD15-1205S, RPMD40-240512TG, RPMD60-4812SG. Refer to table for standard values.

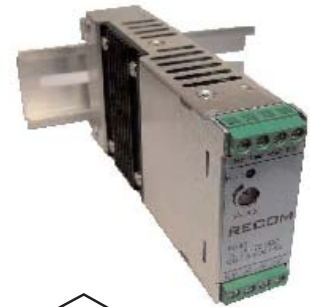
The fuse ratings correspond to the input voltage ranges.

POWERLINE

DC/DC-Converter
Power Module
with 3 year Warranty

RECOM

30-60 Watt
Single , Dual
& Triple
Output



Power Modules

xx-- = Input Voltage

12 = 9.5-18V
24 = 18 - 36 (2:1 Versions) or
9 - 36 / 10 - 40 (4:1 Versions)
48 = 36 - 75 (2:1 Versions) or
18 - 75 (4:1 Versions)

--xx = Output Voltage

3.3S = 3.3V
05S = 5V
12S = 12V
15S = 15V
12D = ±12V
15D = ±15V
0512T = 5/±12V (RPMD40-TG only)
0515T = 5/±15V (RPMD40-TG only)

Please Read Application Notes

Specifications (typical at nominal input and 25°C unless otherwise noted)

Specifications are as in individual converter datasheets with the following exceptions:

Bulkhead Version

Input Voltage Range		see selection guide
Inrush current	Nominal Vin and Full Load	<15A
Startup time	Power up: Nominal Vin and Full Load	100ms typ.
	CTRL pin: Nominal Vin and Full Load	20ms typ.
Thermal impedance		8.5°C/W
Conducted Emissions	EN55022	Class B
Radiated Emissions	EN55022	Class B
ESD	EN61000-4-2	Perf. Criteria A
Radiated Immunity	EN61000-4-3	Perf. Criteria A
Fast Transient	EN61000-4-4	Perf. Criteria A
Surge	EN61000-4-5	Perf. Criteria A
Conducted Immunity	EN61000-4-6	Perf. Criteria A
Chassis Material		Aluminium
Connectors		Screw Terminal
Weight		134g
Packing Quantity		1 pc.
Dimensions		101.6 x 57.15 x 19.0mm

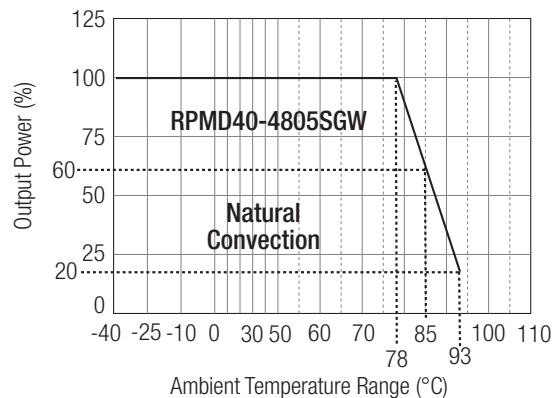
DIN-Rail Version

Input Voltage Range		see selection guide
Inrush current	Nominal Vin and Full Load	<15A
Startup time	Power up: Nominal Vin and Full Load	100ms typ.
	CTRL pin: Nominal Vin and Full Load	20ms typ.
Thermal impedance		4.2°C/W
Conducted Emissions	EN55022	Class B
Radiated Emissions	EN55022	Class B
ESD	EN61000-4-2	Perf. Criteria A
Radiated Immunity	EN61000-4-3	Perf. Criteria A
Fast Transient	EN61000-4-4	Perf. Criteria A
Surge	EN61000-4-5	Perf. Criteria A
Conducted Immunity	EN61000-4-6	Perf. Criteria A
Chassis Material		Aluminium
Connectors		Screw Terminal
Weight		182g
Packing Quantity		1 pc.
Dimensions		125.0 x 57.6 x 24.5mm

RPM

Derating Graph (Ambient Temperature) - DIN Rail version

Derating graphs are valid only for the shown part numbers.
If you need detailed derating information about a part number not shown here please contact our technical customer service at info@recom-development.at



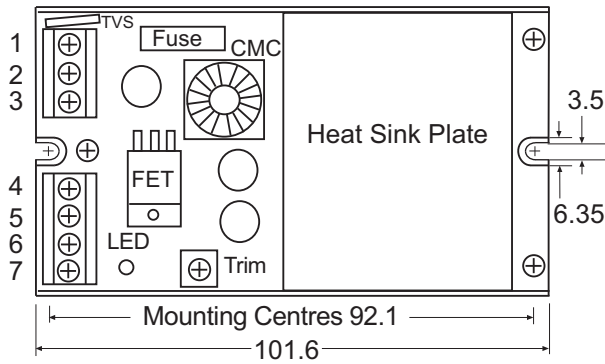
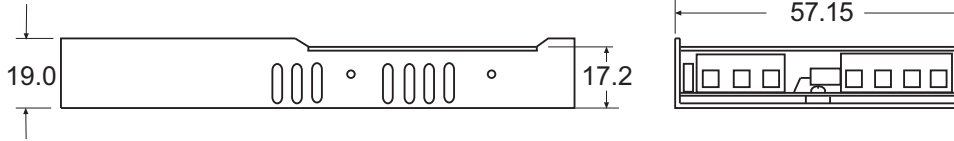
POWERLINE

DC/DC-Converter

Power Module Series - DIN Rail

Package Style and Connections

Bulkhead Version

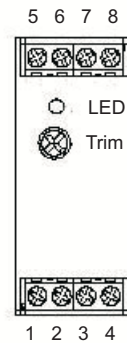
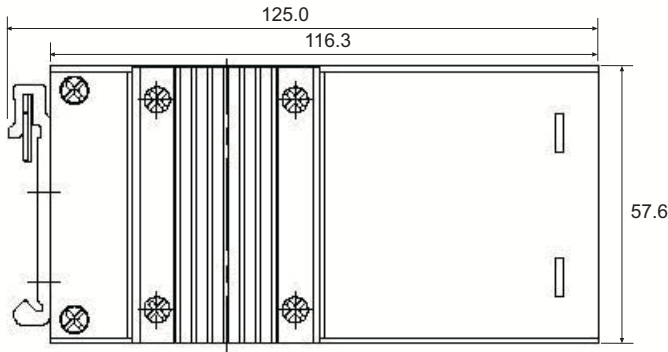


Screw Terminal Connections

Terminal	Single	Dual	Triple
1	+Vin	+Vin	+Vin
2	-Vin	-Vin	-Vin
3	CTRL	CTRL	CTRL
4	NC	NC	+Aux
5	-Vout	-Vout	COM
6	+Vout	Com	-Aux
7	NC	+Vout	+Vout

Tolerance ± 0.25 mm

DIN rail Version



Screw Terminal Connections

Terminal	Single	Dual
1	CTRL	CTRL
2	-Vin	-Vin
3	-Vin	-Vin
4	+Vin	+Vin
5	NC	NC
6	-Vout	-Vout
7	+Vout	Com
8	NC	+Vout

Tolerance ± 0.5 mm

RPM