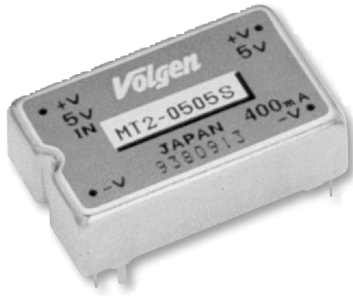


MT2

2 WATT DC/DC CONVERTER, SINGLE & MULTIPLE OUTPUTS



FEATURES

- Full SMD Design with Ceramic Capacitors
- 5 SIDED METAL CASE
- HIGH EFFICIENCY AND RELIABILITY
- INTERNAL EMI FILTER
- LOW OUTPUT RIPPLE AND NOISE
- SHORT CIRCUIT PROTECTION
- DIRECT PCB-SOLDERING
- INDUSTRY STANDARD PINOUT (IC-24P)
- LOW PROFILE, 10mm (0.39") HEIGHT
- FIVE YEAR WARRANTY

EMI

Complies with: **CISPR CLASS A**

ELECTRICAL SPECIFICATIONS

All specifications are typical at nominal input, full load

INPUT SPECIFICATIONS

Input Voltage..... Wide Range Input
Input Filter..... PI-Network

OUTPUT SPECIFICATIONS

Output Voltage Accuracy..... ±10%
Efficiency..... 60% typ.
Over-Current Protection..... Built-in (Automatic Recovery)
Ripple 120 mVp-p (DC to 100MHZ)
Line Regulation..... ±0.5%
Line Filter..... Built-in
Load Regulation..... ±1.0% max. (Load Rate 0% ~ 100%)
Spike Noise (DC to 100 MHZ)..... Input 150 mVp-p max.
Output 70 mVp-p max.

GENERAL SPECIFICATIONS

Isolation Voltage
Primary to Secondary..... DC 500V/ 1min. 5mA
Primary to Case..... DC 500V/ 1min. 5mA
Secondary to Case..... DC 500V/ 1min. 5mA
MTBF..... >1,000,000 hours
Isolation Resistance..... INPUT-OUTPUT-CASE 50M-ohms min.
(Measured at 500 VDC)

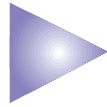
ENVIRONMENTAL SPECIFICATIONS

Operating Temperature -25 - +75°C
Temperature Coefficient..... ±0.05%/°C
Humidity..... 30%~95% RH
Storage Temperature..... -25°C ~ +85°C

PHYSICAL SPECIFICATIONS

Case Material..... Nickel-Plated Steel
Dual Inline Pin Configuration

Series



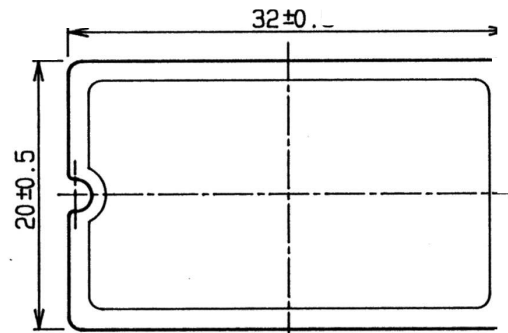
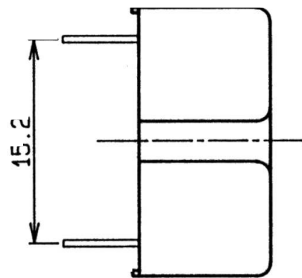
MODEL	INPUT VOLTAGE	OUTPUT VOLTAGE	OUTPUT CURRENT
MT2-0505SI	5 VDC (4.5 ~ 5.5V)	5 VDC	400mA
MT2-0512SI		12 VDC	160mA
MT2-0515SI		15 VDC	130mA
MT2-0512WI		+/-12 VDC	+/-80mA
MT2-0515WI		+/-15 VDC	+/-65mA
MT2-1205SI	12 VDC (10.8 ~ 13.2V)	5 VDC	400mA
MT2-1212SI		12 VDC	160mA
MT2-1212WI		+/-12 VDC	+/-80mA
MT2-1215WI		+/-15 VDC	+/-65mA
MT2-2405SI	24 VDC (21.6 ~ 26.4V)	5 VDC	400mA
MT2-2412SI		12 VDC	160mA
MT2-2412WI		+/-12 VDC	+/-80mA
MT2-2415WI		+/-15 VDC	+/-65mA

TYPE A: SINGLE OUTPUT

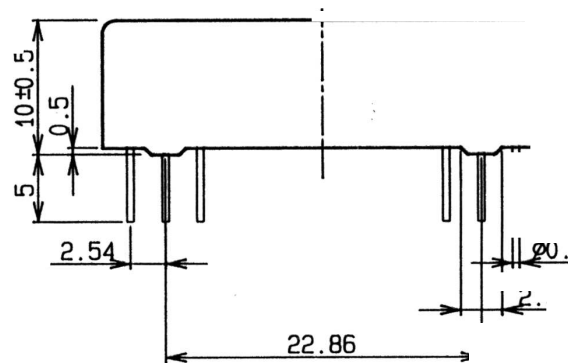
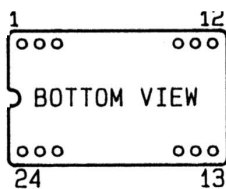
1, 24	INPUT + V
12, 13	INPUT - V
11, 14	OUTPUT + V
10, 15	OUTPUT - V
2, 23	NC
3, 22	NC

TYPE A: DUAL OUTPUT

1, 24	INPUT + V
12, 13	INPUT - V
11, 14	OUTPUT1 + V
10, 15	OUTPUT1 - V
2, 23	OUTPUT2 + V
3, 22	OUTPUT2 - V



PIN LOCATION



NOTE:

All specifications typical and nominal / full load and 25°C unless otherwise noted.
 Avoid sustained operation in overload or dead short conditions.
 Specifications subject to changes without notice.

• Dimensions in mm

