

PART NUMBER: VHB200W

DESCRIPTION: half-brick dc-dc converter

description

The VHB200W series of DC-DC converters are designed for high reliability applications, featuring over-temperature protection, and over-current protection. The wide 4:1 input range (10-36V or 18-75V) is very useful to stabilize an input source like batteries in various discharging and charging conditions. Additionally, high efficiency, fast response, tight regulations, remote sense and remote On/Off control make these converters very useful in many applications.

features

- 132-200W isolated output
- Efficiency to 89%
- RoHS Compliant
- 4:1 input range
- Regulated output
- Continuous short circuit protection
- remote on/off
- over-voltage/current protection
- over-temperature shutdown
- industry standard ½ brick size


MODEL

	input voltage		output voltage (V dc)	output current ¹ (A)	input current		efficiency typ. ³ (%)
	nominal (V dc)	range (V dc)			no load ² (mA)	full load ² (mA)	
VHB200W-Q24-S3R3	24	10.0~36.0	3.3	50	150	7900	87
VHB200W-Q24-S5	24	10.0~36.0	5	40	150	9580	87
VHB200W-Q24-S12	24	10.0~36.0	12	16.7	100	9710	86
VHB200W-Q24-S15	24	10.0~36.0	15	13.3	100	9670	86
VHB200W-Q24-S24	24	10.0~36.0	24	8.3	100	9540	87
VHB200W-Q24-S28	24	10.0~36.0	28	7.1	100		87
VHB200W-Q24-S48	24	10.0~36.0	48	4.2	100	6720	87
VHB200W-Q48-S3R3	48	18.0~75.0	3.3	40	80	3125	88
VHB200W-Q48-S5	48	18.0~75.0	5	40	80	4682	89
VHB200W-Q48-S12	48	18.0~75.0	12	16.7	60	4744	88
VHB200W-Q48-S15	48	18.0~75.0	15	13.3	60	4723	88
VHB200W-Q48-S24	48	18.0~75.0	24	8.3	60	4716	88
VHB200W-Q48-S28	48	18.0~75.0	28	7.1	60		88
VHB200W-Q48-S48	48	18.0~75.0	48	4.2	30	4730	88

- notes:
1. see output derating (page 4)
 2. input currents are measured at nominal input voltage
 3. efficiency is measured at nominal line, full load

INPUT

parameter	conditions/description	min	nom	max	units
input voltage range		10	24	36	V dc
		18	48	75	V dc
under voltage lockout	24 Vin power up		9.5		V dc
	24 Vin power down		8.5		V dc
	24 Vin power up (48V output)		9.5		V dc
	24 Vin power down (48V output)		8.5		V dc
	48 Vin power up		17		V dc
	48 Vin power down		16		V dc
remote on/off control ⁴	section 13 in the application notes				
input filter	PI type				

- notes:
4. add suffix "N" to the model number for negative logic on/off control

*V-Infinity reserves the right to make changes to its products or to discontinue any product or service without notice, and to advise customers to verify the most up-to-date product information before placing orders. V-Infinity assumes no liability or responsibility for customer's applications using V-Infinity products other than repair or replacing (at V-I's option) V-Infinity products not meeting V-I's published specifications. Nothing will be covered outside of standard product warranty.

PART NUMBER: VHB200W**DESCRIPTION:** half-brick dc-dc converter**OUTPUT**

parameter	conditions/description	min	nom	max	units
voltage accuracy				±1	%
	48V			±1.5	%
transient response	25% step load change			500	μ sec
external trim adj. range				±10	%
ripple & noise (20MHz BW)	3.3 V, 5 V			40	mV RMS
				100	mV p-p
	12 V, 15 V			60	mV RMS
				150	mV p-p
	24 V			100	mV RMS
				240	mV p-p
	28 V			100	mV RMS
			280	mV p-p	
	48 V			150	mV RMS
				480	mV p-p
temperature coefficient			±0.03		%/°C
short circuit protection	continuous				
line regulation ⁵				±0.2	%
load regulation ⁶				±0.2	%
over voltage protection trip range, % Vo nom.		115		140	%
	48V	90		110	%
over current protection		110		160	%
	48 V, nominal output	110		150	%

GENERAL SPECIFICATIONS

parameter	conditions/description	min	nom	max	units
switching frequency			300		kHz
	48V		250		kHz
operating ambient temp. ⁷		-40		100	°C
storage temperature		-55		105	°C
thermal shutdown case temp.			110		°C
case material	aluminum				

ISOLATION SPECIFICATIONS

parameter	conditions/description	min	nom	max	units
isolation voltage	input/output	1500			V dc
	input/case	1500			V dc
	output/case	1500			V dc
isolation resistance		100			MΩ

notes:

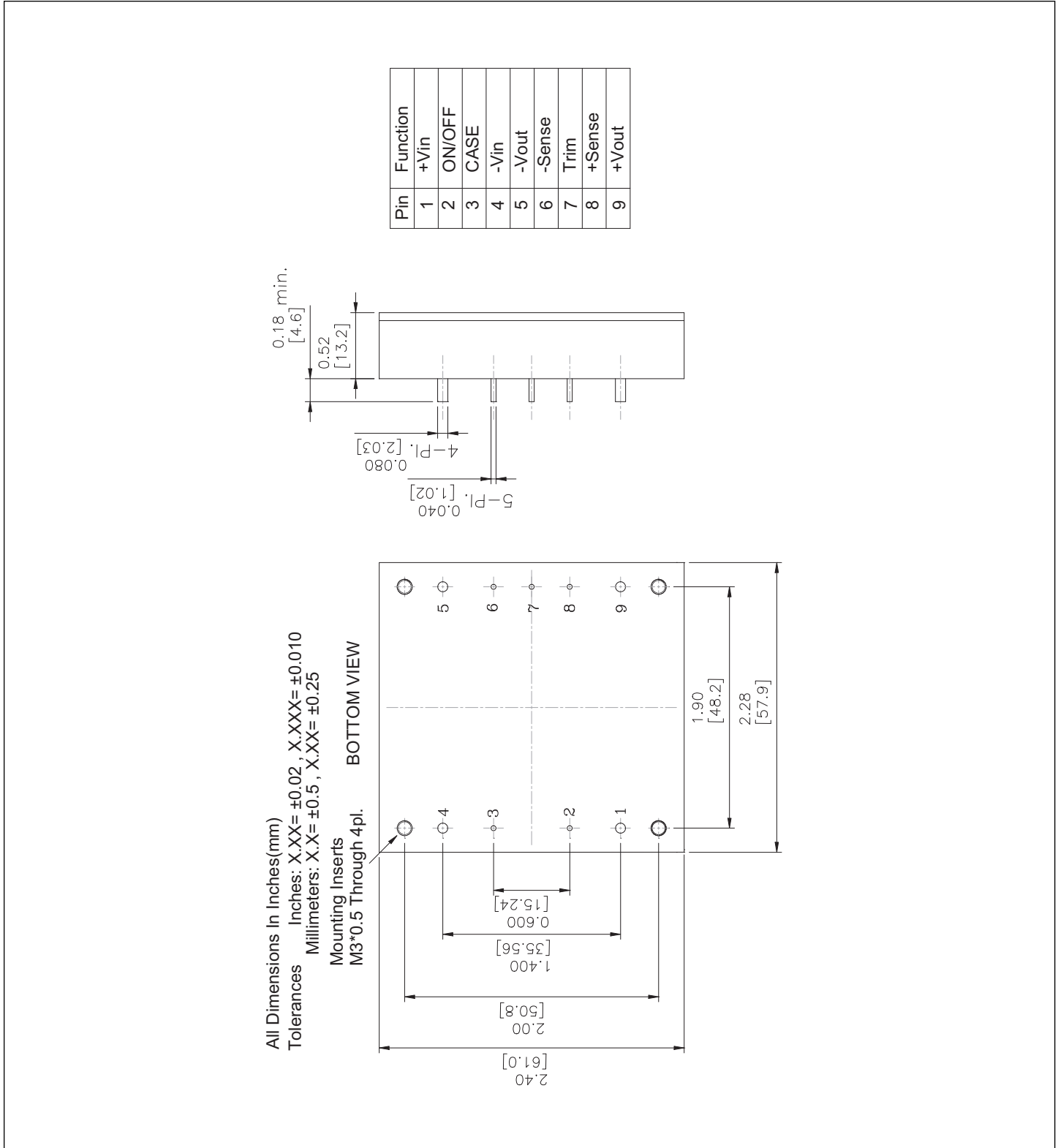
5. measured from high line to low line at full load
6. measured from full load to zero load at nominal input
7. see output derating curve (page 4)

*V-Infinity reserves the right to make changes to its products or to discontinue any product or service without notice, and to advise customers to verify the most up-to-date product information before placing orders. V-Infinity assumes no liability or responsibility for customer's applications using V-Infinity products other than repair or replacing (at V-I's option) V-Infinity products not meeting V-I's published specifications. Nothing will be covered outside of standard product warranty.

PART NUMBER: VHB200W

DESCRIPTION: half-brick dc-dc converter

MECHANICAL DRAWING



PART NUMBER: VHB200W

DESCRIPTION: half-brick dc-dc converter

APPLICATION NOTES

1. OUTPUT DE-RATING

The operating case temperature range for VHB200W is -40 ~ +100°C. When operating the VHB200W series, proper derating or cooling is needed. The maximum case temperature under any operating condition should not exceed 100°C.

Power Dissipated vs Ambient Temperature and Air Flow

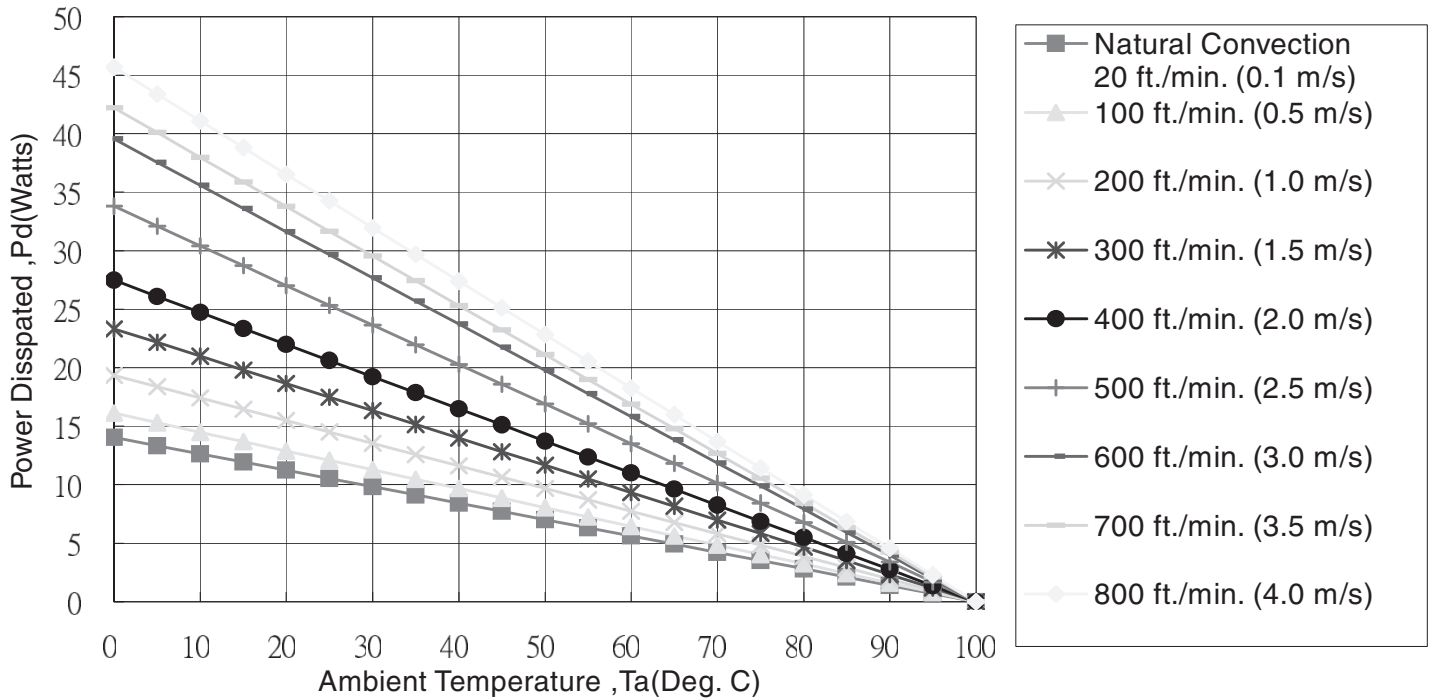


FIGURE 1. OUTPUT DERATING (FORCED CONVECTION WITH NO HEAT SINK)

Example:

What is the minimum airflow necessary for a VHB200W-Q48-S12 operating at nominal line, an output current of 16.7 A, and a maximum ambient temperature of 40°C?

Solution:

Given: $V_{in}=48$ V dc, $V_o=12$ V dc, $I_o=16.7$ A

Determine Power dissipation (Pd):

$$P_d = P_i - P_o = P_o(1 - \eta) / \eta$$

$$P_d = 12 \times 16.7 \times (1 - 0.88) / 0.88 = 27.32 \text{ W}$$

Determine airflow:

Given: $P_d=27.32$ W and $T_a=40^\circ\text{C}$

Check above Power de-rating curve:

minimum airflow= 800 ft./min.

Verifying:

The maximum temp. rise $\Delta T = P_d \times R_{ca} = 27.32 \times 2.19 = 59.83^\circ\text{C}$. The maximum case temperature $T_c = T_a + \Delta T = 99.83^\circ\text{C} < 100^\circ\text{C}$

Where:

The R_{ca} is thermal resistance from case to ambience. The T_a is ambient temperature and the T_c is case temperature.

AIR FLOW RATE	TYPICAL R_{ca}
Natural Convection	7.12 °C/W
20ft./min. (0.1m/s)	7.12 °C/W
100 ft./min. (0.5m/s)	6.21 °C/W
200 ft./min. (1.0m/s)	5.17 °C/W
300 ft./min. (1.5m/s)	4.29 °C/W
400 ft./min. (2.0m/s)	3.64 °C/W
500 ft./min. (2.5m/s)	2.96 °C/W
600 ft./min. (3.0m/s)	2.53 °C/W
700 ft./min. (3.5m/s)	2.37 °C/W
800 ft./min. (4.0m/s)	2.19 °C/W

Chart of Thermal Resistance vs Air Flow

PART NUMBER: VHB200W

DESCRIPTION: half-brick dc-dc converter

2. INPUT VOLTAGE RANGE

It is important to ensure the input voltage measured at the converter input pins is within the range for that converter. Make sure wire losses and voltage ripples are accounted for. One possible problem is driving the converter with a linear unregulated power supply. For example, if the average voltage measured by a DMM is 9V, with a voltage ripple of 3Vpp, the actual input can swing from 7.5V to 10.5V. This will be outside the specified input range of 10~36V and the converter may not function properly. On the other end, make sure the actual input voltage does not exceed the highest voltage of 36V or 75V.

3. LEAD WIRES

Make sure the input and output wires are of adequate AWG size to minimize voltage drop, and ensure the voltage across the input terminals is above the converter's rated minimum voltage at all times. It is recommended to have the wire pairs twisted, respectively for the input pair and the output pair, so as to minimize noise pickup.

4. INPUT CURRENT

The input voltage source must be able to provide enough current to the converter, otherwise it may not start up or operate properly. A typical symptom is not starting or unusually low output voltage. In general, it is recommended to be able to provide at least:

$I_{peak} = 150\% \cdot P_{out} / (\eta \cdot V_{min})$ where P_{out} is the maximum output power, V_{min} is the minimum input voltage and η is the converter's efficiency. As an example, for VHB200W-Q24-S5 to operate with 10~36 V input, 200 W output and an efficiency of 87%, the minimum source current is recommended to be: $I_{peak} = 150\% \cdot 200 / (87\% \cdot 10) = 34.48 \text{ A}$.

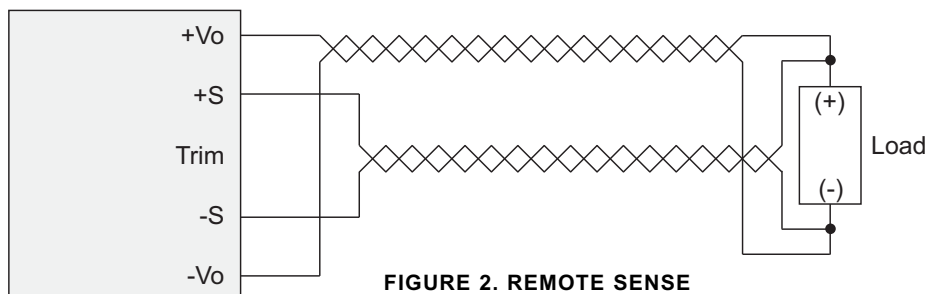
5. INPUT FUSE

To limit the input current and to facilitate input reversal protection and input OVP protection, a fast-acting input fuse is recommended for the input line. The fuse rating will depend on the input range and should allow for the maximum current at the lowest input voltage, as shown in this equation: $I_{peak} = 150\% \cdot P_{out} / (\eta \cdot V_{min})$.

In the previous example of VHB200W-Q24-S5, the peak input current at 10V was calculated to be 34.48 A. A 40 A fuse may be suitable for this application. Make sure the fuse voltage rating is higher than the maximum input voltage.

6. REMOTE SENSE

The converter provides regulated outputs at the output terminals. When there is a large current and/or the output cable is of some length, the voltage at the end of the output cable may be noticeably lower than at the terminals. The converter can compensate up to 0.5V of voltage drop through remote sense terminals. To ensure accurate regulation, run two separate wires (twisted) from the desired regulation points to the remote sense terminals, as shown below.

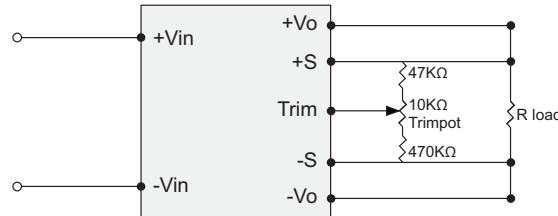


PART NUMBER: VHB200W

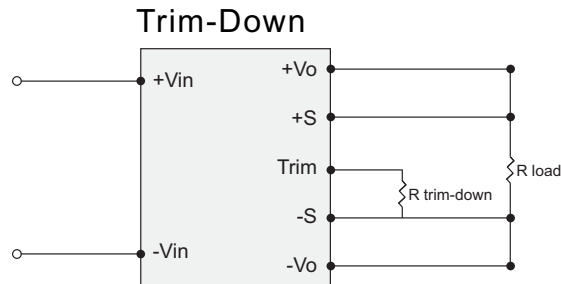
DESCRIPTION: half-brick dc-dc converter

7. OUTPUT TRIMMING (OPTIONAL)

The output voltages are preset to nominal values as indicated by the models table at the factory. If desired, the output voltage may optionally be trimmed to a different value (+/- 10%) with external resistors and/or potentiometer as shown below. Care should be taken to ensure that the maximum output power of the module remains at or below the maximum rated power (Maximum rate power = $V_{o,set} \times I_{o,max}$).

FIGURE 3. TRIMMING WITH EXTERNAL POTENTIOMETER


To trim the output voltage with fixed resistors, the output voltage can be calculated as follows.


FIGURE 4: TRIM-DOWN VOLTAGE SETUP

The value of $R_{trim-down}$ is defined as:

$$R_{trim-down} = \left[\frac{B}{\Delta \%} - C \right] (K\Omega)$$

$$\Delta \% = \left[\frac{V_{o,nom} - V_o}{V_{o,nom}} \right] \times 100$$

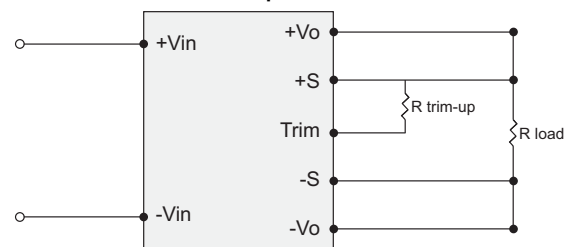
Where: $R_{trim-down}$ is the external resistor in $K\Omega$. $V_{o,nom}$ is the nominal output voltage. V_o is the desired output voltage. B and C values are defined in Table 1. For example, to trim-down the 24V module (VHB200W-Q24-S24) by 8% to 22.08V, $R_{trim-down}$ is calculated:

$$B = 511, C = 10.22$$

$$\Delta \% = 8$$

$$R_{trim-down} = \left[\frac{511}{8} - 10.22 \right] K\Omega$$

$$R_{trim-down} = 53.66 K\Omega$$

Trim-Up

FIGURE 5: TRIM-UP VOLTAGE SETUP

The value of $R_{trim-up}$ is defined as:

$$R_{trim-up} = \left[\frac{A(V_o)(100+\Delta\%)}{1.225 \times \Delta\%} - \frac{B}{\Delta\%} - C \right] (K\Omega)$$

$$\Delta \% = \left[\frac{V_o - V_{o,nom}}{V_{o,nom}} \right] \times 100$$

Where: $R_{trim-up}$ is the external resistor in $K\Omega$. $V_{o,nom}$ is the nominal output voltage. V_o is the desired output voltage. A, B and C values are defined in Table 1. For example, to trim-up the 24V module (VHB200W-Q24-S24) by 8% to 25.92V, $R_{trim-up}$ is calculated:

$$A = 5.11, B = 511, C = 10.22$$

$$\Delta \% = 8$$

$$R_{trim-up} = \left[\frac{511(25.92)(100+8)}{1.225 \times 8} - \frac{511}{8} - 10.22 \right] K\Omega$$

$$R_{trim-up} = 1476.55 K\Omega$$

Table 1

Output Voltage(V)	A	B	C
3, 5, 12, 15, 24, 28V	5.11	511	10.22
48V	20	2000	40

PART NUMBER: VHB200W

DESCRIPTION: half-brick dc-dc converter

8. OUTPUT OCP AND SHORT-CIRCUIT PROTECTION

Output overload and short circuit conditional will cause the output voltage to decline or shutdown altogether. If the case temperature is not over 110°C, the output recovers automatically when the short or OCP conditions are removed. In the case of slight overloading, the output voltage may not shut down, but the converter may build up heat over time, causing over-temperature shutdown.

9. OVER-TEMPERATURE PROTECTION

When the case temperature reaches about 110°C, the converter's built-in protection circuit will shut down the output. When the temperature is reduced enough to a safe operating level, the converter will recover to normal operations automatically.

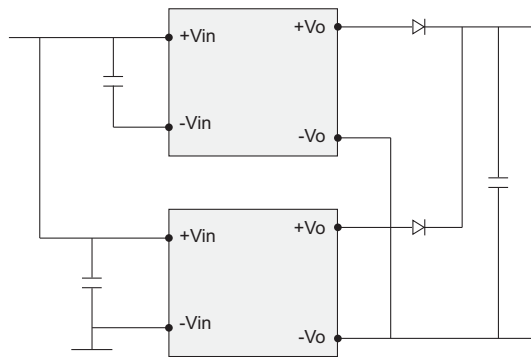
10. OUTPUT OVP

In case the output voltage exceeds the OVP threshold, the converter shuts down.

11. OUTPUT PARALLEL CONNECTIONS

The converter is not designed for load share on the output. However, for redundancy, the outputs of two or more converters can be connected in parallel through OR-ing diodes, as shown below.

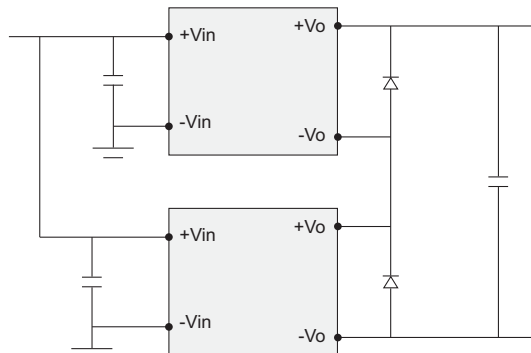
FIGURE 6. OUTPUT PARALLEL CONNECTIONS



12. OUTPUT SERIES CONNECTIONS

Two or more converters can be connected in series to obtain a higher output voltage. To prevent output reverse biasing each other in case of a short, add a Schottky diode on each output in reverse polarity, as shown in the diagram. In the event of a short, the converters will forward-bias the diodes and the output reversal will be limited to one diode drop (about 0.5V) only, so as not to damage the converters. The forward current will cause each converter to go into short-circuit protection. For proper diode selection, make sure that: 1) the diodes voltage rating is higher than each converter output; 2) the rated diode current can carry the short-circuit current; 3) the diodes do not overheat before the short is removed.

FIGURE 7. OUTPUT SERIES CONNECTIONS

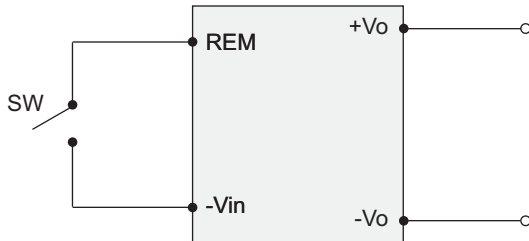
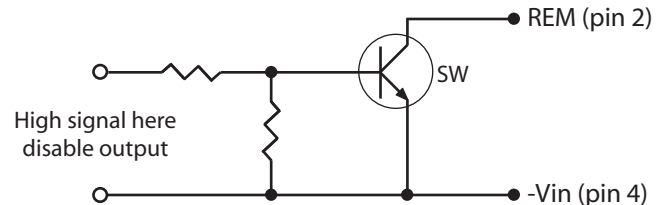


PART NUMBER: VHB200W

DESCRIPTION: half-brick dc-dc converter

13. REMOTE OUTPUT ON/OFF CONTROL

The converter output can be enabled or disabled through the On/Off pin. The control logic is shown in this table. A common control circuit is shown below.


FIGURE 8. REMOTE ON/OFF CONTROL

FIGURE 9. REMOTE ON/OFF CONTROL WITH TRANSISTOR SWITCH

Logic Table	Negative logic	Positive logic
SW Closed ($V_{REM} < 0.8\text{ V}$)	Output on	Output off
SW Open ($V_{REM} > 2.4\text{ V}$)	Output off	Output on

14. ISOLATION

The input and output of the converter are electrically isolated. If needed, an output terminal can be connected to an input terminal, resulting in the converter non-isolated.

15. INPUT FILTERING AND EMI INTERFERENCE

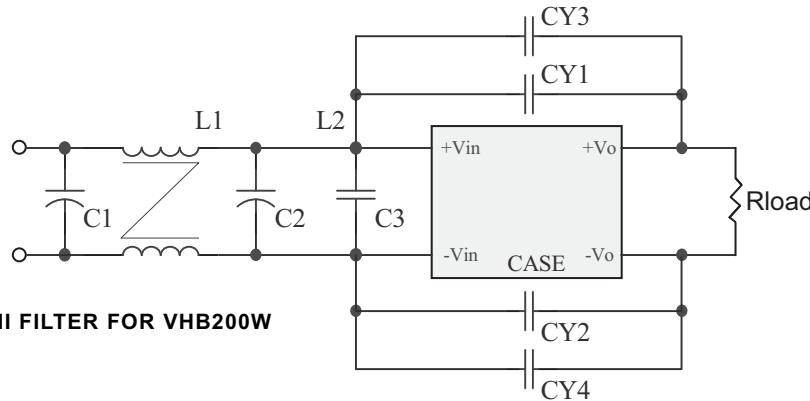
The VHB200W converters have input capacitors that control input current ripple and the associated EMI interference. However, it has not been tested to a formal standard for conducted emissions. Additional filtering may be needed to ensure compliance to an EMI standard. Refer to FIGURE 10 for a reference circuit.

PART NUMBER: VHB200W

DESCRIPTION: half-brick dc-dc converter

15. INPUT FILTERING AND EMI INTERFERENCE

The VHB200W converters have input capacitors that control input current ripple and the associated EMI interference. However, they have not been tested to a formal standard for conducted emissions. Additional filtering may be needed to ensure compliance to an EMI standard. Refer to FIGURE 10 for a reference circuit.


FIGURE 10. EMI FILTER FOR VHB200W

Model No.		C1	C2	C3	CY1	CY2	L1	CY3	CY4
VHB200W-Q24-S5	Class B	82uF/100V KY	82uF/100V KY	10uF/50V X7R 2220	NC	1000pF/2KV	0.5mH	NC	NC
VHB200W-Q24-S12	Class B	82uF/100V KY	82uF/100V KY	10uF/50V X7R 2221	1000pF/2KV	1000pF/2KV	0.5mH	NC	NC
VHB200W-Q24-S24	Class B	120uF/100V KY	120uF/100V KY	10uF/50V X7R 2220	1000pF/2KV	1000pF	0.5mH	NC	NC
VHB200W-Q24-S28	Class A	100uF/100V KY	100uF/100V KY	NC	NC	NC	0.5mH	NC	NC
VHB200W-Q24-S28	Class B	120uF/100V KY	120uF/100V KY	470uF/100V KY	1000pF/2KV	NC	0.45mH	1000pF/2KV	NC
VHB200W-Q24-S48	Class A	100uF/100V KY	100uF/100V KY	100uF/100V KY	680pF/2KV	680pF/2KV	1.0mH	NC	NC
VHB200W-Q24-S48	Class B	82uF/100V KY	82uF/100V KY	4.7uF/100V 2220	1000pF/2KV	1000pF/2KV	0.45mH	680pF/2KV	680pF/2KV
VHB200W-Q48-S5	Class B	82uF/100V KY	82uF/100V KY	4.7uF/100V X7R 2220	NC	680pF/2KV	0.5mH	NC	NC
VHB200W-Q48-S12	Class B	120uF/100V KY	120uF/100V KY	4.7uF/100V X7R 2220	1000pF/2KV	680pF/2KV	0.5mH	NC	NC
VHB200W-Q48-S24	Class B	120uF/100V KY	120uF/100V KY	4.7uF/100V X7R 2220	1500pF/2KV	680pF/2KV	0.5mH	NC	NC
VHB200W-Q48-S28	Class A	150uF/100V KY	150uF/100V KY	NC	NC	NC	0.5mH	NC	NC
VHB200W-Q48-S28	Class B	120uF/100V KY	120uF/100V KY	470uF/100V KY	1000pF/2KV	NC	0.45mH	1000pF/2KV	680pF/2KV
VHB200W-Q48-S48	Class A	100uF/100V KY	100uF/100V KY	100uF/100V KY	680pF/2KV	680pF/2KV	1.0mH	NC	NC
VHB200W-Q48-S48	Class B	82uF/100V KY	82uF/100V KY	4.7uF/100V 2220	2200pF/2KV	2200pF/2KV	0.45mH	NC	680pF/2KV

NOTE: The recommended components are a starting point but not guaranteed for meeting EMI requirements. More or less filtering may be required for a specific application or to meet other EMI standards.

PART NUMBER: VHB200W

DESCRIPTION: half-brick dc-dc converter

16. OUTPUT FILTERING

The converter has built-in capacitors at the output to control ripple and noise. If desired, additional output capacitance can be introduced at the input to the powered equipment. Recommended starting point: one 10 μ F tantalum and one 1 μ F ceramic capacitor in parallel at the output.

17. OUTPUT NOISE MEASUREMENT SCHEMATIC

For proper output ripple and noise measurement, connect a 10 μ F tantalum and a 1 μ F ceramic capacitor across the output. Set the scope bandwidth to 20MHz. Probe directly off of one of the capacitors, using a small ground clip to minimize measurement error.

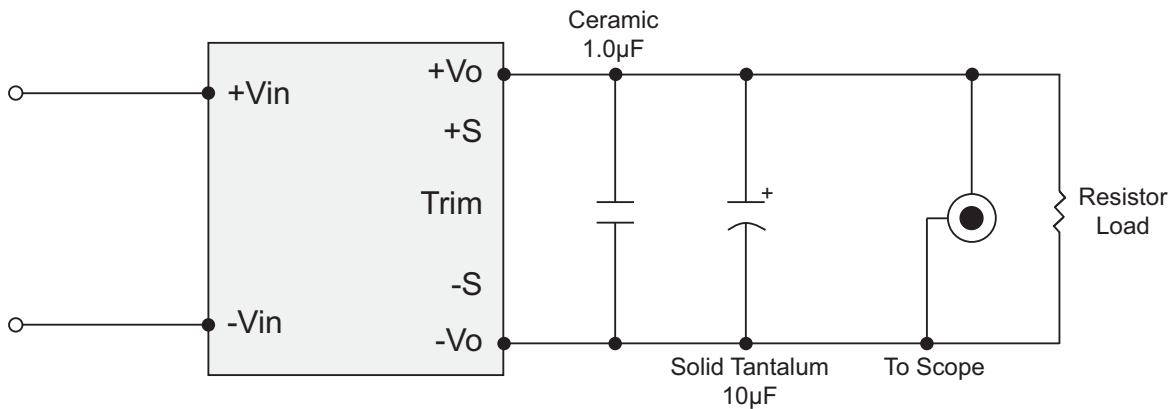


FIGURE 11. OUTPUT NOISE MEASUREMENT CIRCUIT