

### Applications

- Distributed power architectures
- Telecommunications equipment
- LAN/WAN applications
- Data processing applications

### Features

- RoHS lead solder exemption compliant
- Cost-effective single board design
- Low profile – 11 mm height
- Input/output isolation: 1500VDC, basic insulation
- High efficiency - up to 90% at full load
- Start-up into high capacitive load
- Low conducted and radiated EMI
- Output overcurrent protection
- Output overvoltage protection
- Back drive protection
- Overtemperature protection
- Remote sense
- Set point accuracy  $\pm 1\%$
- Remote on/off (primary referenced), positive or negative logic
- Output voltage trim adjust, positive or negative
- UL 1950 Recognition, CSA 22.2 No. 950-95 certification, TUV IEC950

### Description

The QLS25 is a new series of cost-effective, high-density single output DC-DC converters providing onboard conversion of standard telecom and datacom input voltages into isolated low voltage outputs in a through-hole mounting package. High efficiencies and a patent-pending board design significantly improve thermal characteristics by evening out hot spots and enhance product reliability.

Model Selection						
Model	Input Voltage VDC	Input Current, Max ADC	Output Voltage Vout, VDC	Output Rated Current I <sub>rated</sub> , ADC	Output Ripple/Noise, mV p-p	Typical Efficiency @ I <sub>rated</sub> , %
QLS20ZG	36-75	4.8	5.0	20	150	90
QLS25ZE	36-75	3.3	3.3	25	100	89
QLS25ZD	36-75	2.5	2.5	25	100	87

This product is intended for integration into end-use equipment. All the required procedures for CE marking of end-use equipment should be followed.

### Absolute Maximum Ratings

Stresses in excess of the absolute maximum ratings may cause performance degradation, adversely effect long-term reliability, and cause permanent damage to the converter.

Parameter	Conditions/Description	Min	Max	Units
Input voltage	Continuous		75	VDC
	Transient, 100ms		100	VDC
Operating Temperature	PC Board Temperature	-40	100	°C
Storage Temperature		-40	125	°C
ON/OFF Control Voltage	Referenced to -Vin		50	VDC

### Environmental and Mechanical Specifications

All specifications apply over specified input voltage, output load, and temperature range, unless otherwise noted.

Parameter	Conditions/Description	Min	Nom	Max	Units
Shock	Halfsine wave, 3 axes	50			g
Sinusoidal Vibration	GR-63-Core, Section 5.4.2	1			g
Weight			1.2/35		Oz/g
Water Washing	Standard process		Yes		
MTBF	Per Bellcore TR-NWT-000332		1,980		kHrs

### Isolation Specifications

All specifications apply over specified input voltage, output load, and temperature range, unless otherwise noted.

Parameter	Conditions/Description	Min	Nom	Max	Units
Insulation Safety Rating		Basic			
Isolation Voltage		1500			VDC
Isolation Resistance		10			MOhm
Isolation Capacitance		1100			pF

### Input Specifications

All specifications apply over specified input voltage, output load, and temperature range, unless otherwise noted.

Parameter	Conditions/Description	Min	Nom	Max	Units
Input Voltage	Continuous	36	48	75	VDC
Turn-On Input Voltage	Ramping Up		33		VDC
Turn-Off Input Voltage	Ramping Down		32		VDC
Turn-On Time	To Output Regulation Band 100% Resistive Load		5	10	mS
Input Reflected Ripple Current	Full Load, 12µH source inductance			60	mA p-p
Inrush Transient	Vin=Vin.max			0.1	A <sup>2</sup> s

### Output Specifications

All specifications apply over specified input voltage, output load and temperature range, unless otherwise noted.

Parameter	Conditions/Description	Min	Nom	Max	Units
Output Voltage Setpoint Accuracy	Vin=Vin.nom, Full Load	-1		1	%Vout
Output Current*	See selection chart for I <sub>rated</sub>	10		100	%I <sub>rated</sub>
Line Regulation	Vin.min to Vin.max, I <sub>rated</sub>			0.2	%Vout
Load Regulation	Vin=Vin.nom, 10% to 100%I <sub>rated</sub>			0.2	%Vout
Total output voltage regulation	Over all input voltage, load, and temperature conditions	-2		2	%Vout
Remote Sense Headroom				0.5	VDC
Dynamic Regulation Peak Deviation Settling Time	50-75% load step change  to 1% error band			5 150	%Vout μs
Admissible Load Capacitance	I <sub>rated</sub> , Nom Vin	20,000			μF
Output Current Limit Threshold**	Vout≤0.97Vout.nom	110		140	%I <sub>rated</sub>
Switching Frequency			270		kHz
Overvoltage Protection, Non Latching	Over all input voltage and load conditions	120		140	%Vout
Trim Range	I <sub>rated</sub> , Vin=Vnom	90		110	%Vout

\* At I<sub>out</sub><I<sub>out.min</sub>, the output may contain low frequency component that exceeds ripple specifications.

\*\* Overcurrent protection is non-latching with auto recovery.

### Feature Specifications

All specifications apply over specified input voltage, output load, and temperature range, unless otherwise noted.

Parameter	Conditions/Description	Min	Nom	Max	Units
Shutdown (ON/OFF) Negative Logic Converter ON	On/Off signal is low – converter is ON	-1.0		1.8	VDC
Source Current Converter OFF	ON/OFF pin is connected to -Vin	3.5		50	mADC
Open Circuit Voltage Positive Logic Converter ON	ON/OFF pin is floating On/Off signal is low–converter is OFF	3.5		5	VDC
Open Circuit Voltage Converter OFF	ON/OFF pin is floating	-1.0		1.8	VDC
Source Current	ON/OFF pin is connected to -Vin			1	mADC
Overtemperature Protection	Average board temperature		105		°C

**Characteristic Curves**

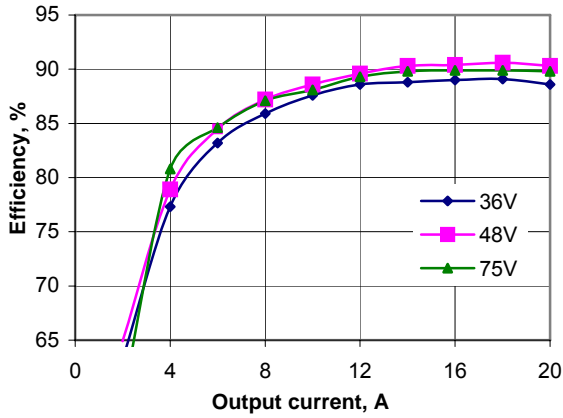


Figure 1. QLS20ZG Efficiency vs. Output Load

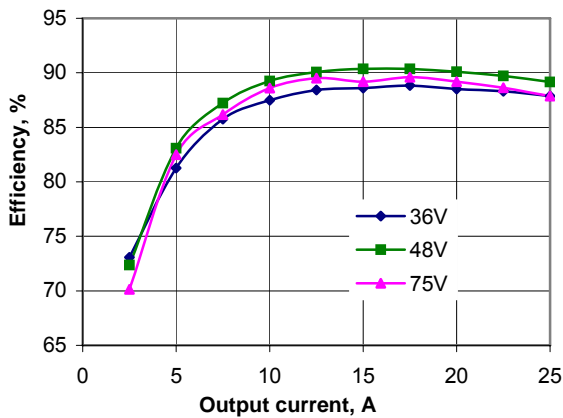


Figure 2. QLS25ZE Efficiency vs. Output Load

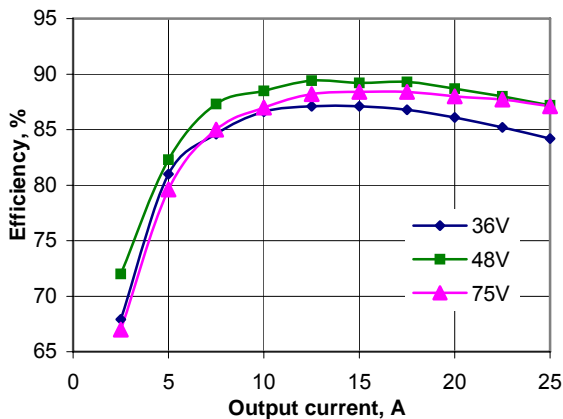


Figure 3. QLS25ZE Efficiency vs. Output Load

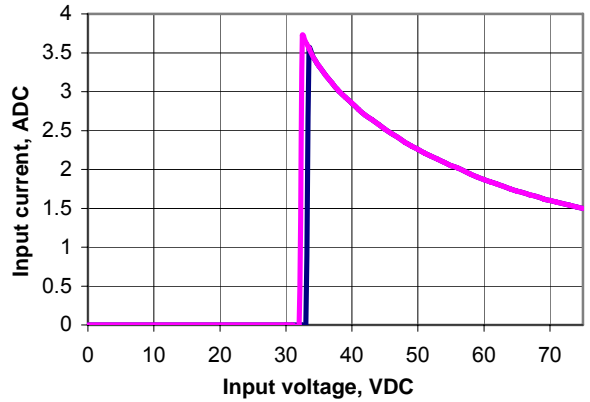


Figure 4. QLS20ZG Input Characteristic

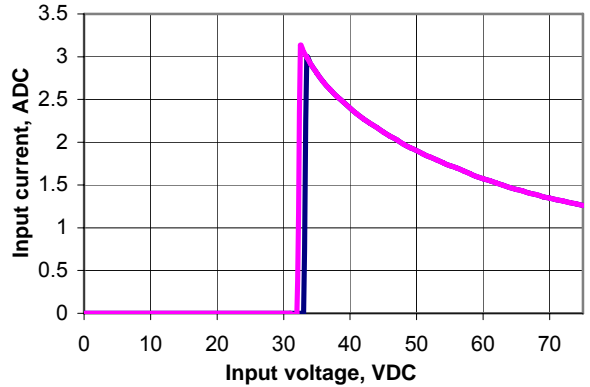


Figure 5. QLS25ZE Input Characteristic

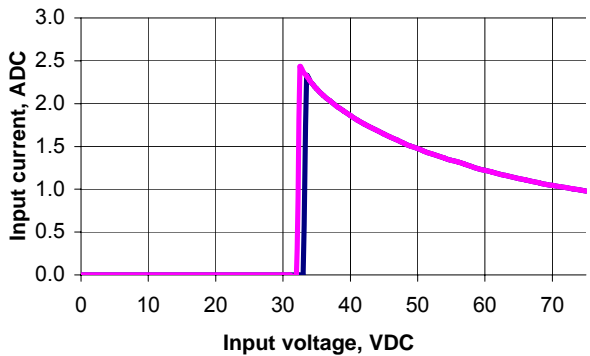


Figure 6. QLS25ZD Input Characteristic

### Typical Application

Figure 7 shows the recommended connections for the QLS25 Series converter.

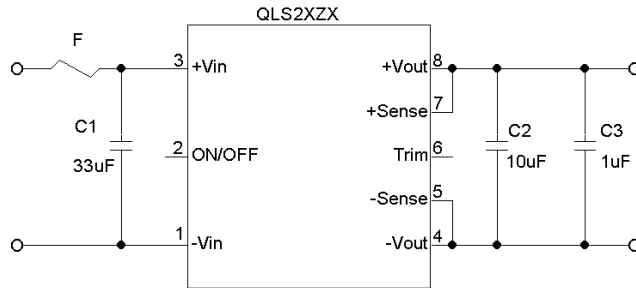


Figure 7. Typical application of QLS25 Series

The QLS25 Series converters do not require any external components for proper operation. However, if the distribution of the input voltage to the converter contains significant inductance, the capacitor C1 may be required to enhance performance of the converter. A minimum of a 33µF electrolytic capacitor with the ESR<0.7Ω is recommended for the QLS25 Series.

Refer to the “Inrush Current Control Application Note” on [www.power-one.com](http://www.power-one.com) for suggestions on how to limit the magnitude of the inrush current.

For output decoupling we recommend to use a 10µF tantalum and a 1µF ceramic capacitors connected directly across the output pins of the converter. Note, that the capacitors do not substitute the filtering required by the load.

### Shutdown Feature Description

The ON/OFF pin in the QLS25 Series converters functions as a normal soft shutdown. It is referenced to the -Vin pin (see Figure 7). With the positive logic, when the ON/OFF pin is pulled low, the output is turned off and the unit goes into a very low input power mode.

With negative logic, when the ON/OFF pin is pulled low, the unit is turned on.

An open collector switch is recommended to control the voltage between the ON/OFF pin and the -Vin pin of the converter. The ON/OFF pin is pulled up internally, so no external voltage source is required. The user should avoid connecting a resistor between the ON/OFF pin and the +Vin pin.

When the ON/OFF pin is used to achieve remote control, the user must take care to insure that the pin reference for the control is really the -Vin pin. The control signal must not be referenced ahead of EMI filtering, or remotely from the unit. Optically coupling the information and locating the optical coupler directly at the module will solve any of these problems.

#### Note:

If the ON/OFF pin is not used, it can be left floating (positive logic), or connected to the -Vin pin (negative logic).

### Output Voltage Trim

The trim feature allows the user to adjust the output voltage from the nominal. This can be used to accommodate a different requirement or to do production margin testing. There are two variances available in the QLS25 Series.

#### Negative Trim

The QLS25 negative trim units trim up with a resistor from the TRIM pin to the -Sense pin and trim down with a resistor from the TRIM pin to the +Sense pin as shown in Figure 8.

The negative trim schematic is shown in Figure 8.

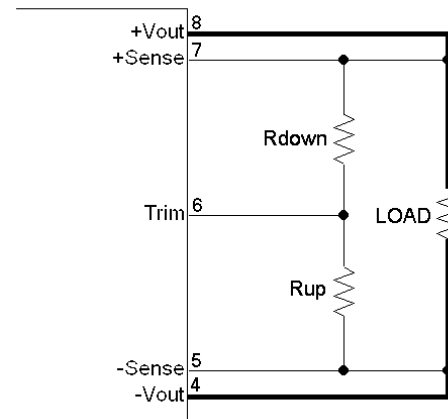


Figure 8. QLS25 Series Negative Trim Schematic

The general equation (1) for changing the output voltage on the negative trim modules is invariant, but the constants in the equation change due to different internal values.

$$R_{TRIM} = \frac{A - B \times \Delta V}{\Delta V}, \text{ k}\Omega \quad (1)$$

where A and B are constants from the table below, and ΔV is the absolute value of the desired change in the output voltage in Volts.

Model	Trim up		Trim down	
	A	B	A	B
QLS20ZG	3.77	6.81	11.58	9.88
QLS25ZE	2.07	3.92	3.5	5.61
QLS25ZD	1.27	3.92	1.31	4.95

### Industry Standard Positive Trim (suffix -T)

The -T option units trim up with a resistor from the TRIM pin to the +Sense pin and trim down with a resistor from the TRIM pin to the -Sense pin as shown in the Figure 9.

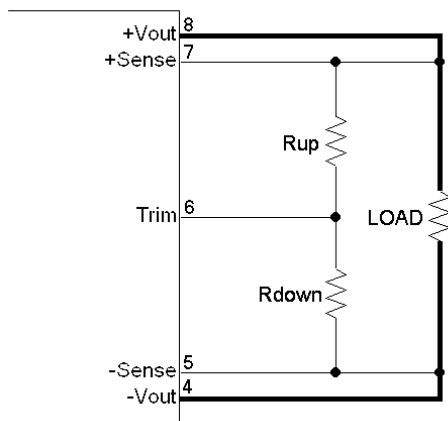


Figure 9. QLS25 Series Positive Trim Schematic

The equations below determine the trim resistor value required to achieve a ΔV change in the output voltage.

$$R_{UP} = 5.11 \left[ \frac{V_{out}(100 + \Delta V\%)}{1.225\Delta V\%} - \frac{100 + 2\Delta V\%}{\Delta V\%} \right], k\Omega$$

$$R_{DOWN} = 5.11 \left[ \frac{100}{\Delta V\%} - 2 \right], k\Omega$$

where ΔV% is the output voltage change expressed in percents of the nominal output voltage, Vout.

#### Notes:

- When the output voltage is trimmed up, the output power from the converter must not exceed its maximum rating. The power is determined by measuring the output voltage on the output pins, and multiplying it by the output current.
- In order to avoid creating apparent load regulation degradation, it is important that the trim resistors are connected directly to the remote sense pins, and not to the load or to traces going to the load.

- The QLS25 Series converters will trim down further than the 10% limit. In general, this is permissible. The user must confirm that the results are acceptable in the application.

### Safety Considerations

The QLS25 Series converters feature 1500 Volt DC isolation from input to output. The input to output resistance is greater than 10MΩ. These converters are provided with Basic insulation between input and output circuits according to all IEC60950 based standards. Nevertheless, if the system using the converter needs to receive safety agency approval, certain rules must be followed in the design of the system. In particular, all of the creepage and clearance requirements of the end-use safety requirements must be observed. These documents include UL60950 - CSA60950-00 and EN60950, although other or additional requirements may be needed for specific applications.

The QLS25 Series converters have no internal fuse. The external fuse must be provided to protect the system from catastrophic failure as shown in Figure 7. The fuse with a rating not greater than 4A is recommended. The user can select a lower rating fuse based upon the highest inrush transient at the maximum input voltage and the maximum input current of the converter, which occurs at the minimum input voltage. Both input traces and the chassis ground trace (if applicable) must be capable of conducting a current of 1.5 times the value of the fuse without opening. The fuse must not be placed in the grounded input line, if any.

In order for the output of the QLS25 Series converter to be considered as SELV (Safety Extra Low Voltage) or TNV-1, according to all IEC60950 based standards, one of the following requirements must be met in the system design:

- If the voltage source feeding the module is SELV or TNV-2, the output of the converter may be grounded or ungrounded.
- If the voltage source feeding the module is ELV, the output of the converter may be considered SELV only if the output is grounded per the requirements of the standard.
- If the voltage source feeding the module is a Hazardous Voltage Secondary Circuit, the voltage source feeding the module must be provided with at least Basic insulation between the source to the converter and any hazardous voltages. The entire system, including the QLS25 converter, must pass a dielectric withstand test for Reinforced insulation. Design of this type of systems requires expert

engineering and understanding of the overall safety requirements and should be performed by qualified personnel.

**Thermal Considerations**

The QLS25 Series converters are designed for natural or forced convection cooling. The maximum allowable output current of the converters is determined by meeting the derating criteria for all components used in the converters. For example, the maximum semiconductor junction temperature is not allowed to exceed 120°C to ensure reliable long-term operation of the converters. Contact Power-One for the complete list of the derating criteria.

The graphs in Figures 10-12 show the maximum output current of the QLS25 Series converters at different ambient temperatures under both natural and forced (longitudinal airflow direction, from pin 1 to pin 3) convection.

For example, from Figure 11, the QLS25ZE operating at 55C can deliver up to 18A reliably with 100LFM forced air, while up to 25A reliably with 400LFM forced air.

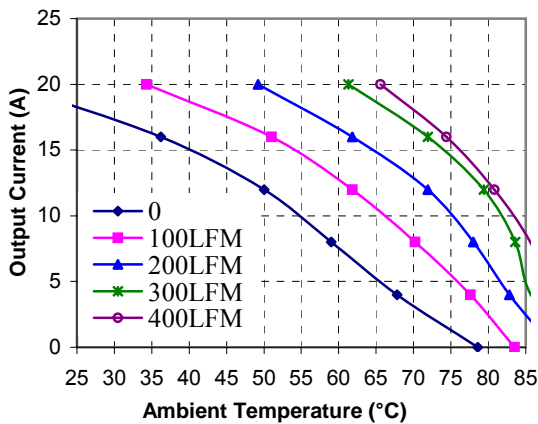


Figure 10. QLS20ZG (5V) Derating Curves

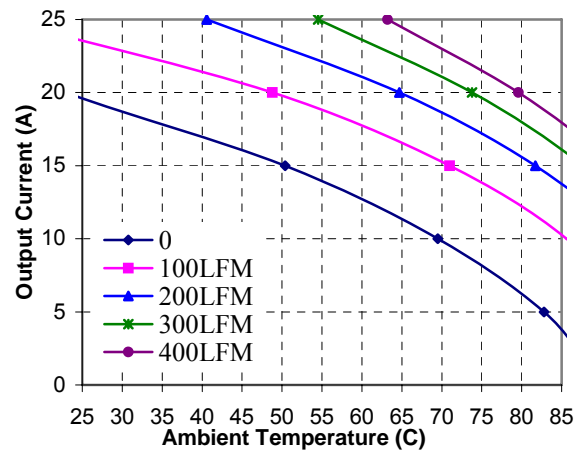


Figure 11. QLS25ZE (3.3V) Derating Curves

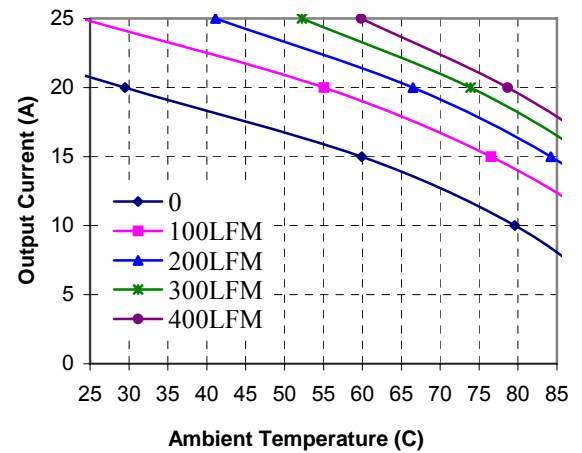
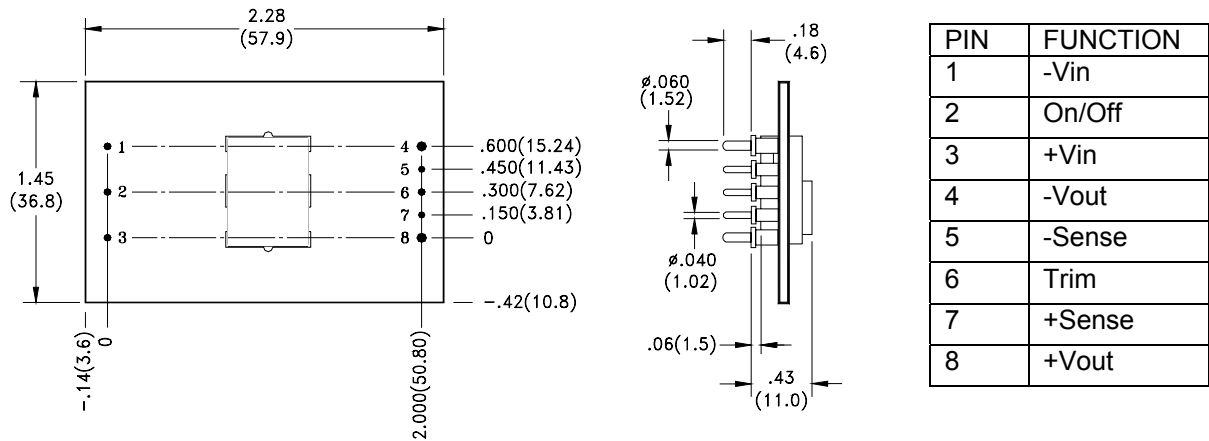


Figure 12. QLS25ZD (2.5V) Derating Curves

**Mechanical Drawing**



Tolerances: .xx  $\pm$  .020 (.5)  
.xxx  $\pm$  .010 (.25)  
Pin Diameter  $\pm$  0.002 (.05)

**Ordering Information**

Options	Suffixes to add to part number
Remote ON/OFF	Positive- Standard, no suffix required
	Negative- Add "N" suffix
Trim	Negative- No suffix required
	Positive - Add "T" suffix
Pin Length	0.18"- Standard, no suffix required
	0.11"- Add "8" suffix
	0.15"- Add "9" suffix

**Notes**

1. Consult factory for the complete list of available options.

NUCLEAR AND MEDICAL APPLICATIONS - Power-One products are not designed, intended for use in, or authorized for use as critical components in life support systems, equipment used in hazardous environments, or nuclear control systems without the express written consent of the respective divisional president of Power-One, Inc.

TECHNICAL REVISIONS - The appearance of products, including safety agency certifications pictured on labels, may change depending on the date manufactured. Specifications are subject to change without notice.