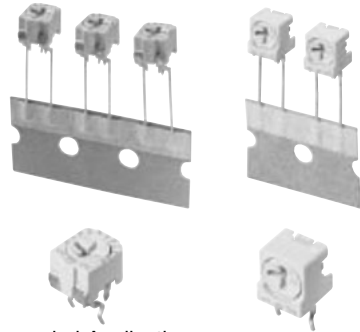


6 mm Square Dustproof Ceramic Trimmer Potentiometers  
(Cermet, Radial Taping, with Knob Protection)

Type: **EVMEYS/EVMEVS**  
(High-Reliability Type, Radial Taping)  
**EVMEYG/EVMEVG**  
(High-Reliability Type, Bulk)



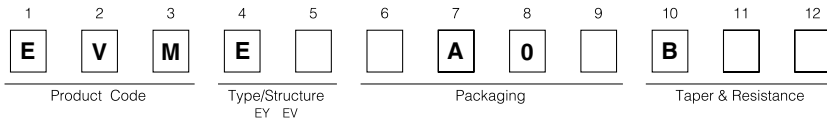
### ■ Features

- No readjustment needed due to knob protected structure
- Excellent mounting efficiency due to cubic shape suited to automatic pick-and-place assembly equipment
- Power Rating: 0.5 W MAX.
- Temperature Coefficient of Resistance: within  $\pm 100 \times 10^{-6}/^{\circ}\text{C}$  (ppm/°C)
- Approved under the ISO 9001 system
- Conforms to JIS C5261

### ■ Recommended Applications

- Audio visual equipment, Office Automation equipment, Communication equipment
- Other general electronic equipment

### ■ Explanation of Part Numbers



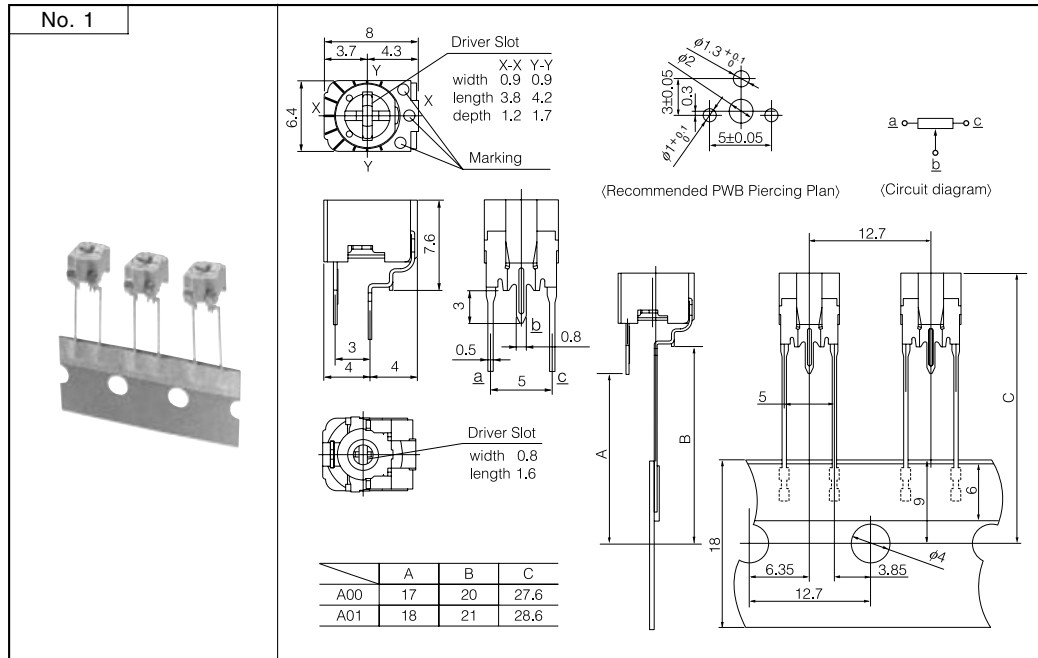
### ■ Major Specifications

Total Resistance Value	1 kΩ to 2 MΩ
Resistance Tolerance	±20 %
Power Rating	70 °C ∙ ∙ 0.5 W (125 °C ∙ ∙ 0 %)
Max. Operating Voltage	200 V
Rotation Torque	2 to 30 mN ∙ m
Stopper Strength	50 mN ∙ m nim.
Temperature Coefficient of Resistance	±100 × 10 <sup>-6</sup> /°C(ppm/°C)

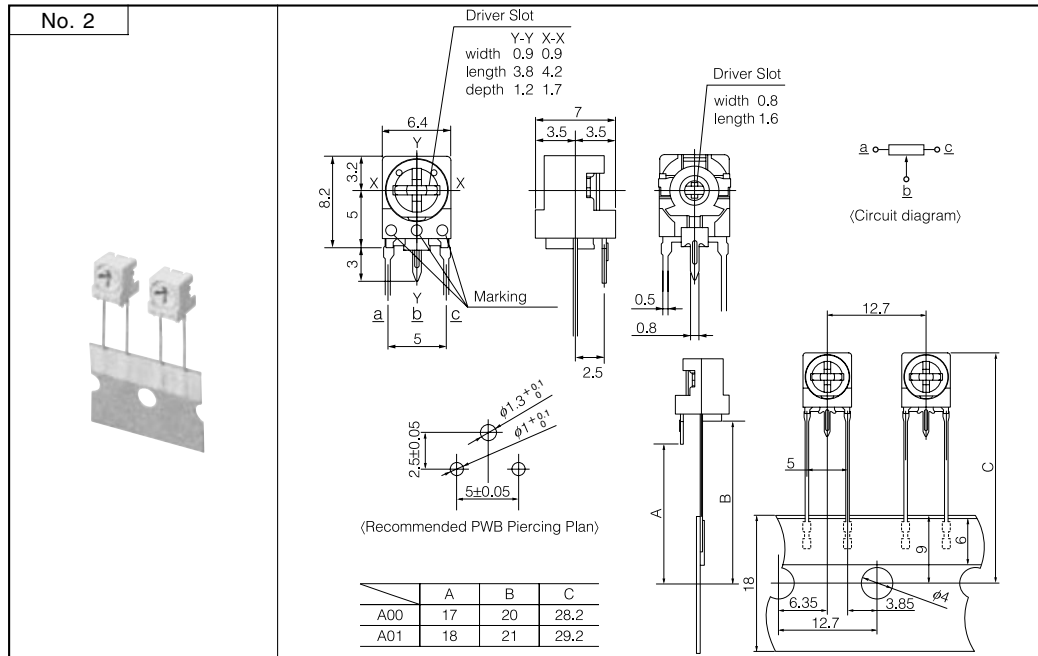
### ■ Minimum Quantity/Packing Unit

Part Number	Radial taping		Bulk	
	Quantity per Box	Packaging quantity	Quantity per pack	Packaging quantity
EVMEYS EVMEVS	1000	10000	—	—
EVMEYG EVMEVG	—	—	200	2000

- Dimensions in mm (not to scale)
- Radial tapering
- 3-terminal, Top-adjust, Cross/Ordinary Slots ..... EVMEYS



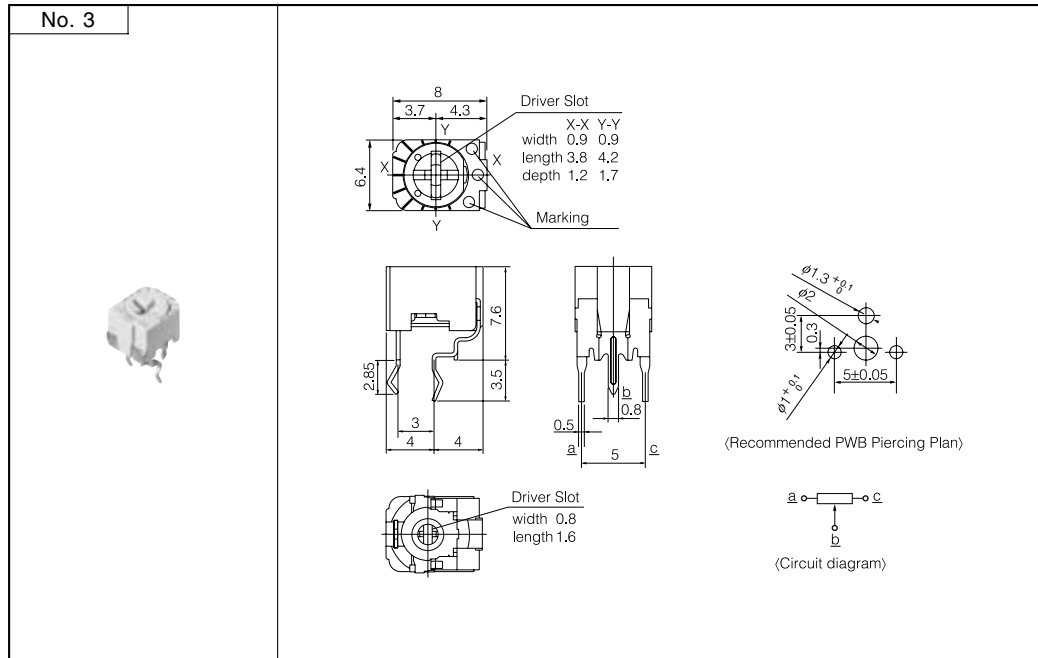
- 3-terminal, Side-adjust, Cross/Ordinary Slots ..... EVMEVS



■ Dimensions in mm (not to scale)

● Bulk

● 3-terminal, Top-adjust, Cross/Ordinary Slots ..... EVMEYG



● 3-terminal, Side-adjust, Cross/Ordinary Slots ..... EVMEVG

