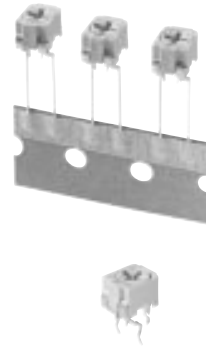


6 mm Square Dustproof Ceramic Trimmer Potentiometers
(Cermet, Radial Taping, with Knob Protection)



Type: **EVMEAS/EVMEES**
(Radial Taping)
EVMEAG/EVMEEG
(Bulk)

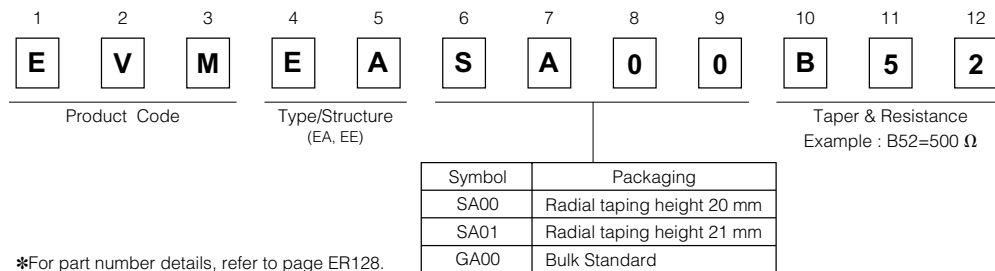
■ Features

- High reliability due to cermet element
- No readjustment needed through knob protected structure
- Excellent mounting efficiency due to cubic shape
- Automated adjustment available
Face side: Standard cross slot screwdriver suited to automatic adjustment applicable
Back side: Penetrated slot for easy driving
- Conforms to JIS C5260-1:1999

■ Recommended Applications

- Audio/visual, office, and communication equipment
- General electronic equipment

■ Explanation of Part Numbers



■ Specifications

	EVME□	EVME□ (Low Resistor Value)
Total Resistance Value	100 Ω to 1 MΩ	10 Ω to 500 Ω
Resistance Tolerance	±25 %	
Power Rating	0.3 W	0.5 W
Maximum Operating Voltage	100 V	√P·R
Rotation Torque	2 to 30 mN·m	
Stopper Strength	50 mN·m min.	
Temperature Coefficient of Resistance	±200 × 10 ⁻⁶ /°C	· 10 Ω ≤ R ≤ 20 Ω ±200 × 10 ⁻⁶ /°C · 20 Ω < R ≤ 200 Ω ±150 × 10 ⁻⁶ /°C · 200 Ω < R ≤ 500 Ω ±100 × 10 ⁻⁶ /°C

■ Minimum Quantity/Packing Unit

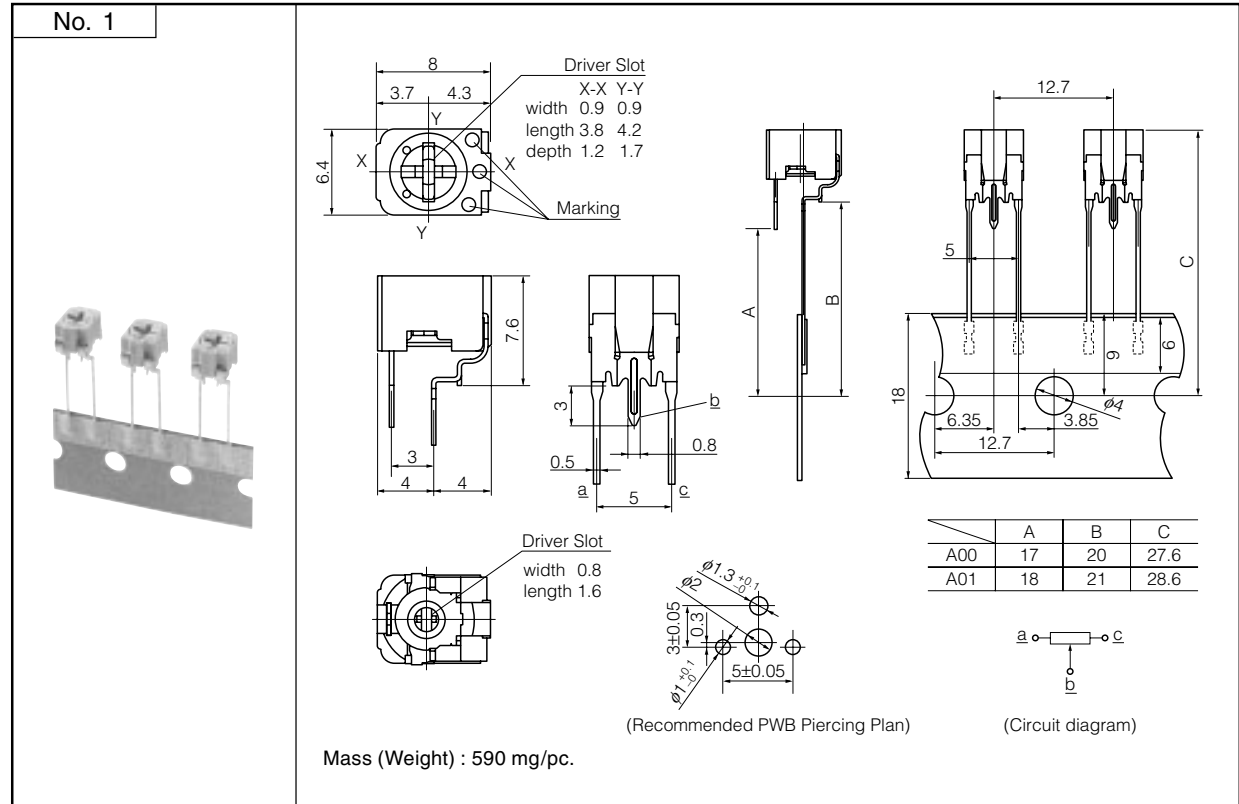
Part Number	Radial taping		Bulk	
	Quantity per Box	Packaging quantity	Quantity per pack	Packaging quantity
EVMEAS EVMEES	1000	10000	—	—
EVMEAG	—	—	200	2000
EVMEEG	—	—	1000	3000

Design and specifications are each subject to change without notice. Ask factory for the current technical specifications before purchase and/or use.
Should a safety concern arise regarding this product, please be sure to contact us immediately.

■ Dimensions in mm (not to scale)

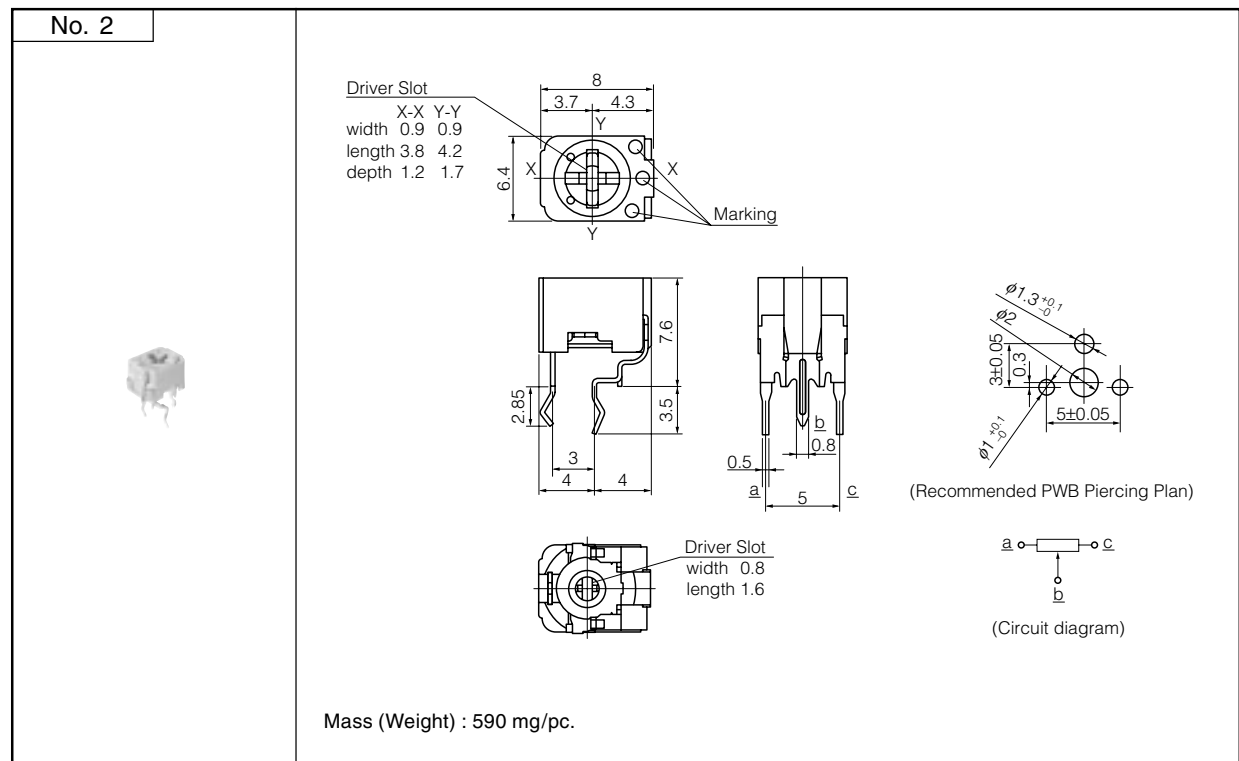
● Radial tapering

● 3-terminal, Top-adjust, Cross/Ordinary Slots..... EVMEAS/EVMEES



● Bulk

● 3-terminal, Top-adjust, Cross/Ordinary Slots..... EVMEAG/EVMEEG



Design and specifications are each subject to change without notice. Ask factory for the current technical specifications before purchase and/or use.
Should a safety concern arise regarding this product, please be sure to contact us immediately.

■ Explanation of Part Numbers

