

4

3

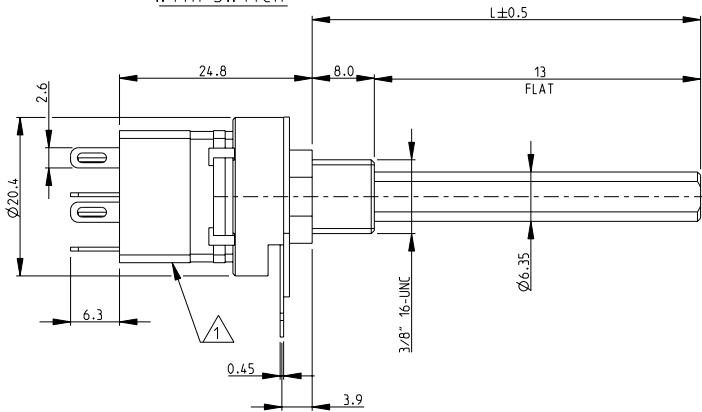
2

1

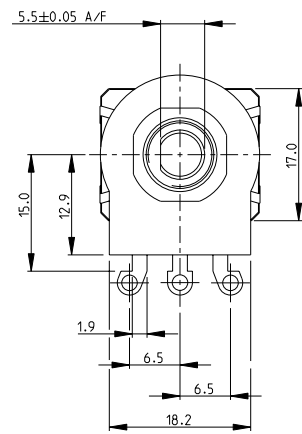
THIS DRAWING IS UNPUBLISHED. RELEASED FOR PUBLICATION 2008
 © COPYRIGHT 2008 BY TYCO ELECTRONICS CORPORATION. ALL RIGHTS RESERVED.

LOC	DIST	REVISIONS			
P	LTR	DESCRIPTION	DATE	DWN	APVD
E	B	NEW RELEASE	30-Jul-08	SM	ST.P

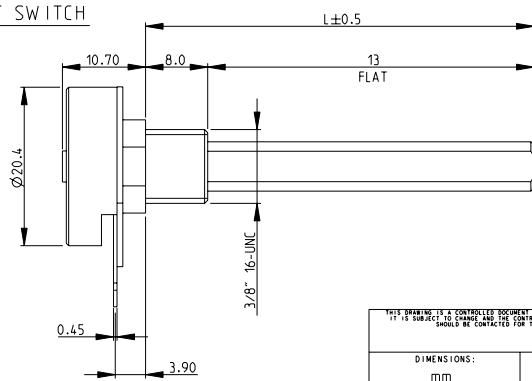
WITH SWITCH



5.5±0.05 A/F

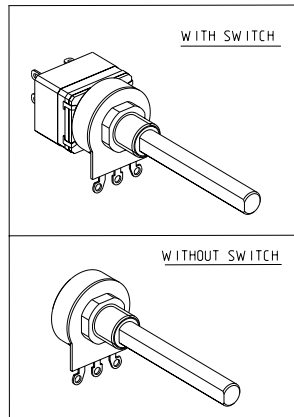


WITHOUT SWITCH



- 1 SWITCH TYPE: DPST (4A)
- 2 FOR FURTHER INFORMATION SEE DATA SHEET FOR 23 SERIES-SPINDLE OPERATED POTENTIOMETER
- 3 AVAILABLE IN DIFFERENT SHAFT LENGTHS (L) SEE DATA SHEET
- 4 CAN BE SUPPLIED WITH OR WITHOUT SWITCH

RoHS Compliant



<small>THIS DRAWING IS A CONTROLLED DOCUMENT FOR TYCO ELECTRONICS CORPORATION IT IS SUBJECT TO CHANGE AND THE CONTROLLING ENGINEERING ORGANIZATION SHOULD BE CONTACTED FOR THE LATEST REVISION.</small>		DWN SUBHASH.M 30-Jul-08 CHK PRAKASH.S 30-Jul-08 APVD STEPHEN.P 30-Jul-08	Tyco Electronics Corporation Dorcan, Swindon, SN3 5HH
DIMENSIONS: mm	TOLERANCES UNLESS OTHERWISE SPECIFIED: 0 PLC ±0.5 1 PLC ±0.2 2 PLC ±0.1 3 PLC ± 4 PLC ± ANGLES ±5°	NAME SPINDLE OPERATED POTENTIOMETER SERIES 23E PRODUCT SPEC - APPLICATION SPEC - WEIGHT -	SIZE A3 CAGE CODE 00779 DRAWING NO C-1624158 RESTRICTED TO -
MATERIAL -	FINISH -	CUSTOMER DRAWING	SCALE 2:1 SHEET 1 OF 1 REV BA