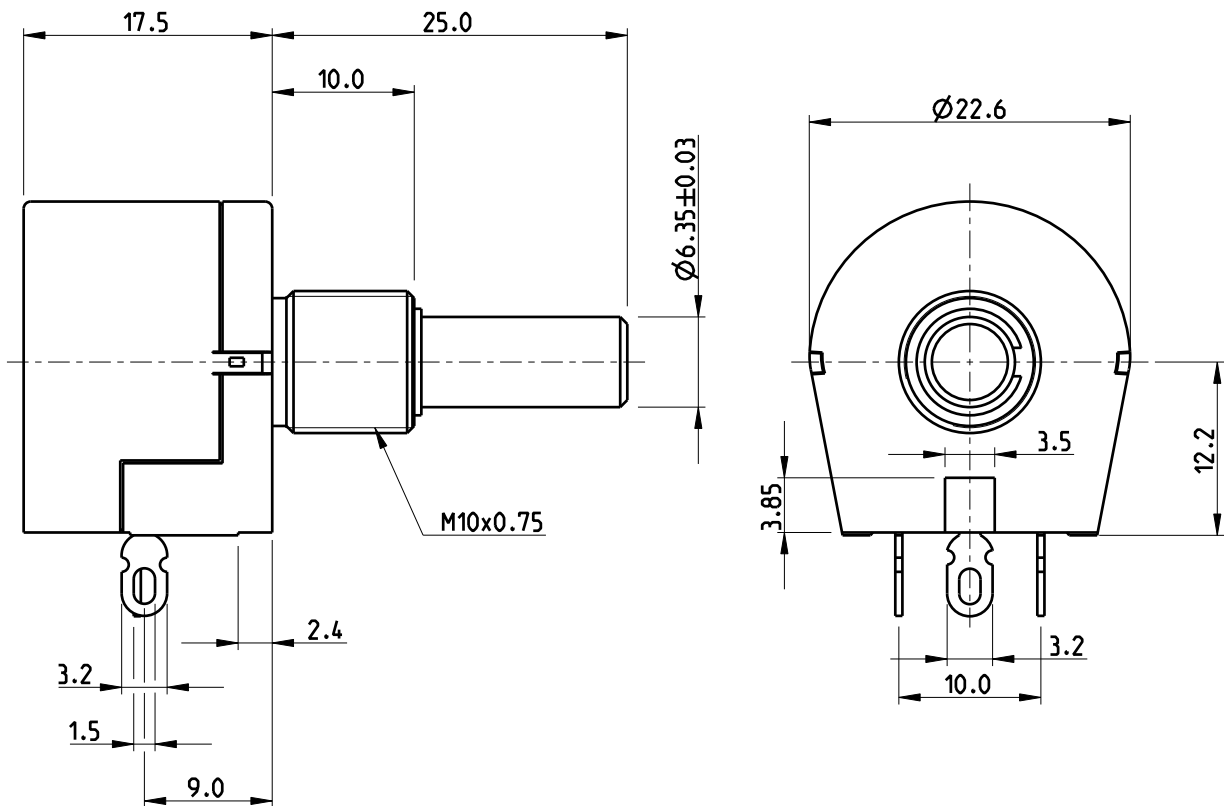
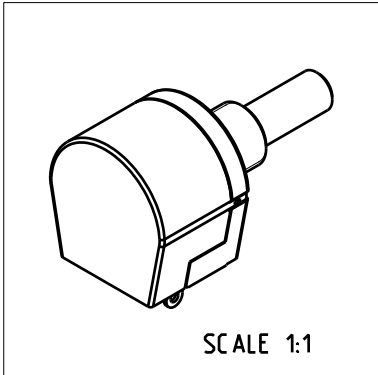


LOC		DIST		REVISIONS			
P	LTR	DESCRIPTION		DATE	DWN	APVD	
E	B	A	NEW RELEASE	08-JAN-09	SM	St.P	



RoHS Compliant



FOR FURTHER INFORMATION SEE DATA SHEET FOR
SERIES TW - WIRE WOUND SPINDLE OPERATED POTENTIOMETER

2009
RELEASED FOR PUBLICATION
THIS DRAWING IS UNPUBLISHED.
COPYRIGHT 2009 BY TYCO ELECTRONICS CORPORATION. ALL RIGHTS RESERVED.

DIMENSIONS: mm		DWN SUBHASH.M	08-JAN-09	MATERIAL	FINISH	
TOLERANCES UNLESS OTHERWISE SPECIFIED:		CHK ALLAN.P	08-JAN-09	Tyco Electronics Tyco Electronics Corporation Dorcan, Swindon, SN3 5HH		
0 PLC ±0.2		APVD STEPHEN.P	08-JAN-09			
1 PLC ±0.1		PRODUCT SPEC	-	NAME WIRE WOUND SPINDLE OPERATED POTENTIOMETER SERIES TW		
2 PLC ±		APPLICATION SPEC	-	SIZE	CAGE CODE	DRAWING NO
3 PLC ±		WEIGHT	-	A 4	00779	C=1676979
4 PLC ±		CUSTOMER DRAWING		SCALE	SHEET	OF
ANGLES ±5°				2:1	1	1
				RESTRICTED TO	REV	
				-	A	