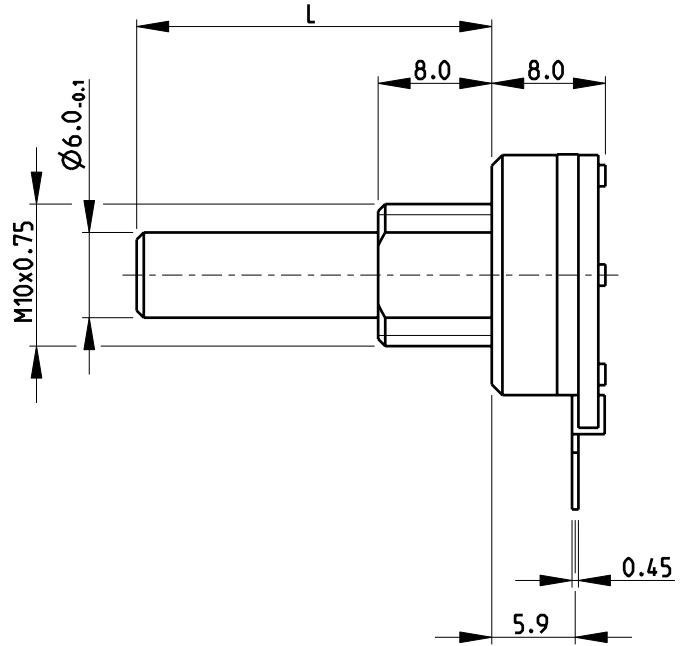
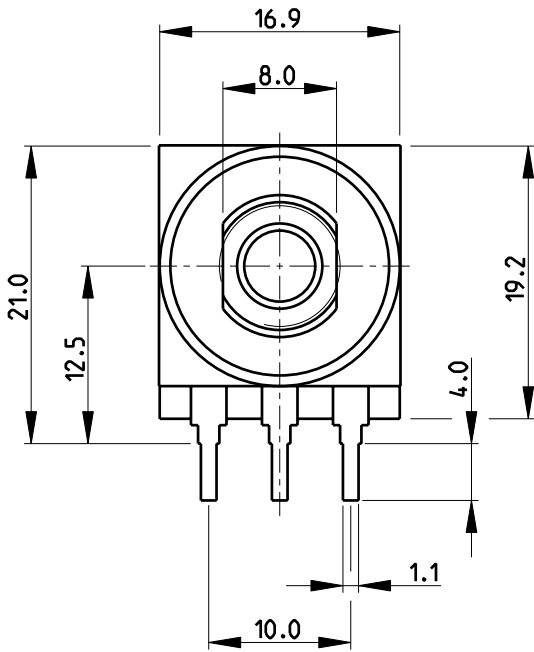
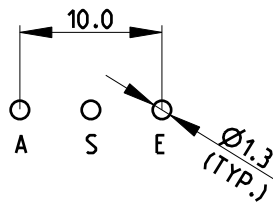


LOC	DIST	REVISIONS				
P	LTR	DESCRIPTION	DATE	DWN	APVD	
E	B	A	NEW RELEASE	17-NOV-08	SM	St.P

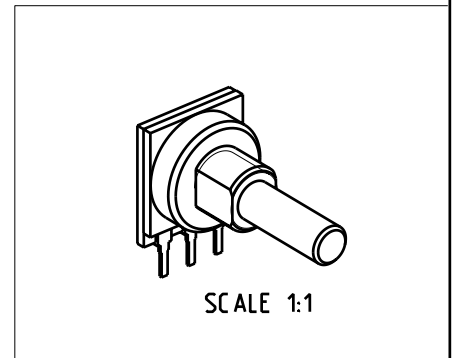
- 1 AVAILABLE IN DIFFERENT SHAFT LENGTHS
- 2 FOR FURTHER INFORMATION SEE DATA SHEET FOR 16P SERIES-SPINDLE OPERATED POTENTIOMETERS



PCB LAYOUT



RoHS Compliant



2008

RELEASED FOR PUBLICATION

THIS DRAWING IS UNPUBLISHED.

BY TYCO ELECTRONICS CORPORATION. ALL RIGHTS RESERVED.

© COPYRIGHT 2008

DIMENSIONS: mm	DWN	SUBHASH.M	17-NOV-08	MATERIAL	-	FINISH	-
	CHK	PRAKASH.S	17-NOV-08	Tyco Electronics Corporation Dorcan, Swindon, SN3 5HH			
TOLERANCES UNLESS OTHERWISE SPECIFIED:	APVD	STEPHEN.P	17-NOV-08				
0 PLC ±0.2	PRODUCT SPEC	-	NAME	SPINDLE OPERATED POTENTIOMETER SERIES 16P			
1 PLC ±0.1	APPLICATION SPEC	-	SIZE	CAGE CODE	DRAWING NO	RESTRICTED TO	
2 PLC ±	WEIGHT	-	A 4	00779	©=1624193	-	
3 PLC ±			CUSTOMER DRAWING		SCALE	2:1	SHEET 1 OF 1
4 PLC ±					REV	A	
ANGLES ±5°							

