

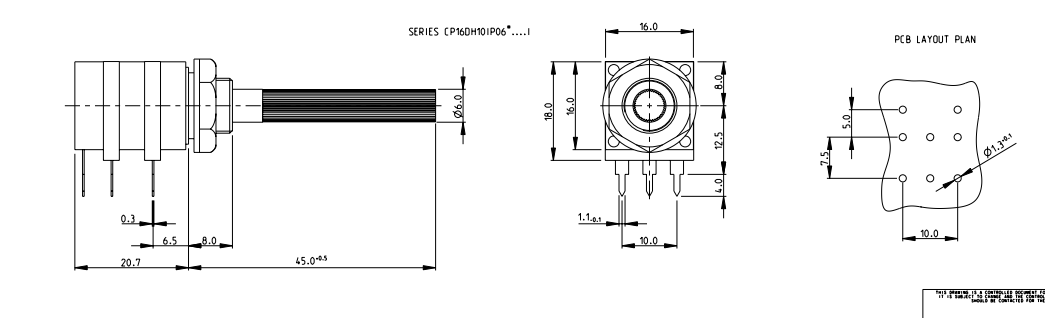
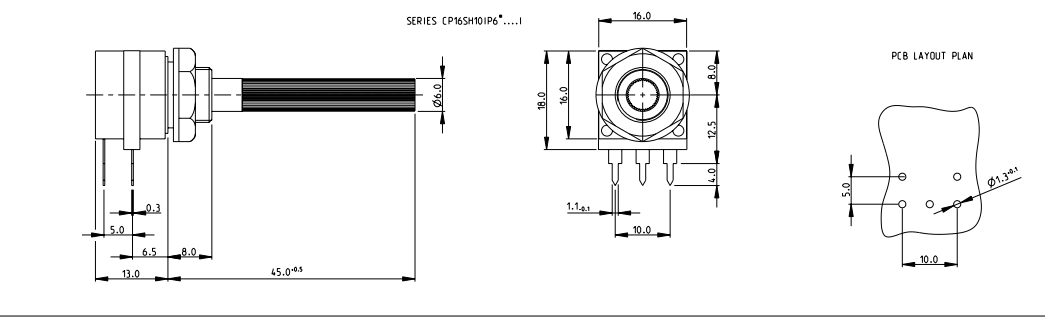
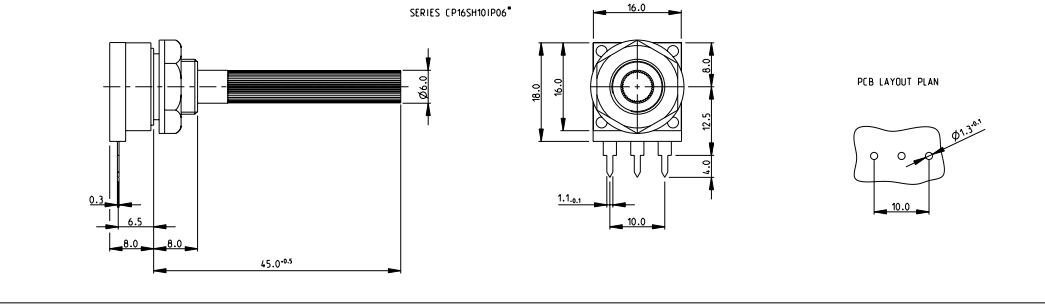
4

3

2

1

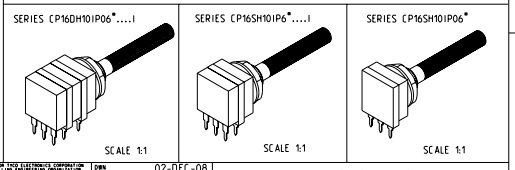
THIS DRAWING IS UNPUBLISHED. RELEASED FOR PUBLICATION 2008
BY TYCO ELECTRONICS CORPORATION. ALL RIGHTS RESERVED.
COPYRIGHT 2008



LOC	DIST	REVISIONS					
E	B	P	LYR	DESCRIPTION	DATE	DWN	APPR
		BA		NEW RELEASE	02-DEC-08	SM	ST.P

FOR FURTHER INFORMATION SEE DATA SHEET FOR SERIES CP16 - SPINDLE OPERATED POTENTIOMETERS

RoHS Compliant



DIMENSIONS: mm 		TO BE MADE TO ORDER OPERATING SPECIFICATIONS: 0 PLC ±0.2 1 PLC ±0.1 2 PLC ±0.1 3 PLC ±0.1 4 PLC ±0.1 ANGLES ±5° MATERIAL PBT/PS		DWN: SUBHASH.M CDR: BRAKASH.S APPR: STEPHEN.B DATE: 02-DEC-08 NAME: SPINDLE OPERATED POTENTIOMETER SERIES CP16 SIZE: A2 CAGE CODE: 100779 DRAWING NO: 1676003 RESTRICTED TO: - SCALE: 2:1 SHEET: 1 of 1 REV: BA
MATERIAL: -		WEIGHT: -		DWN: 02-DEC-08 CDR: 02-DEC-08 APPR: 02-DEC-08 DATE: 02-DEC-08 NAME: Tyco Electronics Corporation Durban, Swindon, SNI SMH SCALE: 1:1 SCALE: 1:1 SCALE: 1:1 CUSTOMER DRAWING

AMP 1471-9 REV 31MAR2000
POLYMER DRAWING