

Precision Wirewound Potentiometer - 7/8" (22mm)



FEATURES:

- special resistance tolerances to 1%
- rear shaft extensions and support bearing
- non turn lug
- insulating plastic shaft
- special independent linearity to $\pm 0.75\%$
- dual gang configuration and concentric shafts
- high torque and center tap
- special markings and front shaft extensions
- servo unit available and slipping clutch

ELECTRICAL SPECIFICATIONS:

- Resistance range, standard values:** 100 Ω to 100 K Ω
- Capability range:** 10 Ω to 200 K Ω
- Standard toll:** $\pm 5\%$
- Linearity independent:** $\pm 0.25\%$
- Noise:** 100 Ω ENR
- Rotation (electrical & mechanical):** 3600° + 10%
- Power rating @ 70°C:** 2.0 watts
- Insulation resistance:** 1000 M Ω minimum 500 VDC
- Dielectric strength:** 1000 VRMS minimum 60 HZ
- Absolute minimum resistance:** not to exceed linearity x total resistance or 1 Ω , whichever is greater.
- Tempco:** 20 ppm/°C (standard values, wire only)
- End voltage:** 0.25% of total applied voltage, maximum
- Phasing:** CCW end points - section 2 phased to section 1 within $\pm 2^\circ$
- Taps:** center tap only

ENVIRONMENTAL SPECIFICATIONS:

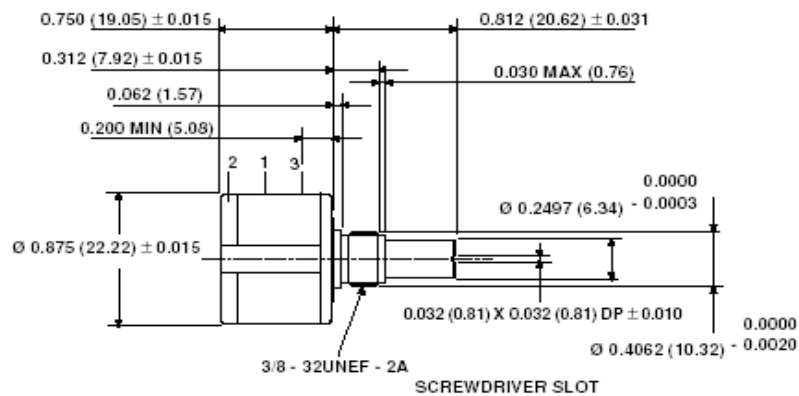
- Vibration:** 15g thru 2000Hz
- Shock:** 50g
- Rotational life:** 1,000,000 cycles
- Load life:** 900 hours
- Operating temperature range:** -55°C to $\pm 125^\circ\text{C}$
- Moisture resistant salt spray:** 96 hours

MECHANICAL SPECIFICATIONS:

- Torque (maximums): starting**
- Section 1:** 0.5 oz - in (36gm - cms)
- Section 2:** 0.9 oz - in (65gm - cms)
- Torque (maximums): running**
- Section 1:** 0.4 oz - in (28.80gm - cms)
- Section 2:** 0.7 oz - in (50.40gm - cms)
- Weight (maximums):**
- Section 1:** 0.75 oz (21.26 gm)
- Section 2:** 1.25 oz (35.44 gm)
- Stop strength:** 1.75 oz - in (static) (5.4Kgm - cm)
- Ganging:** 2 sections maximum

DRAWING:

SINGLE SECTION DIMENSIONS in millimeters



Mounting hardware, washer and panel nut, nickel plated

METRIC

