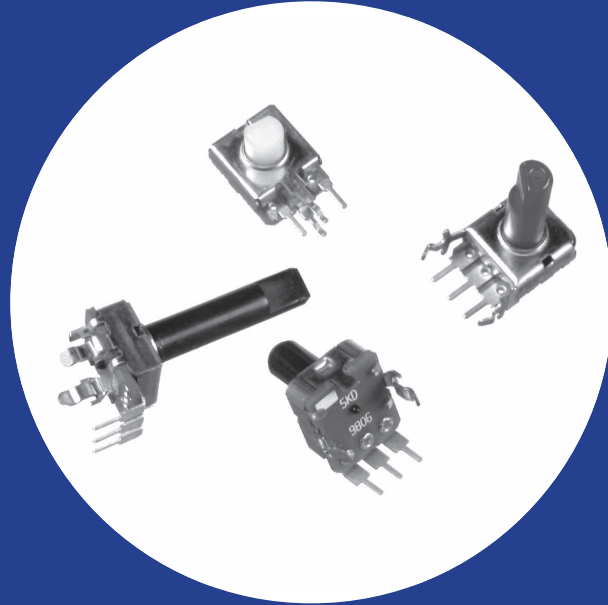


Commercial 12mm Diameter Carbon Composition Rotary Potentiometer

Features

- Miniature 12mm size
- Low cost
- Snap-in bracket for PC board mounting
- Detent available
- Insulated shaft available
- RoHS compliant



Electrical and Mechanical Specifications

Resistance Range

500 ohms through 1 Megohms

Resistance Tolerance

±30%, ±20%, ±10%

Power Rating

0.15 watts @ 50°C

Dielectric Strength

500 VDC for 1 minute

Maximum Operating Voltage

350 VDC

Insulation Resistance

100 Megohms minimum @ 250 VDC

Rotational Angle

Mechanical angle: 300°
Effective angle: 280°

Rotational Torque

20 – 216 gf-cm

Stop Strength

5.76 kg-cm minimum (VR without detent)
3 kg-cm minimum (VR with detent)

Mounting Information

P.C. board mounting
Type "X": Shaft parallel to P.C. board
Type "U": Shaft vertical to P.C. board
Type "H": Same as "X" except hook terminals

Detent

Detent @ 50% rotation

Push-Pull strength on shaft

8 kg for 10 seconds

Rotational life

10K cycles

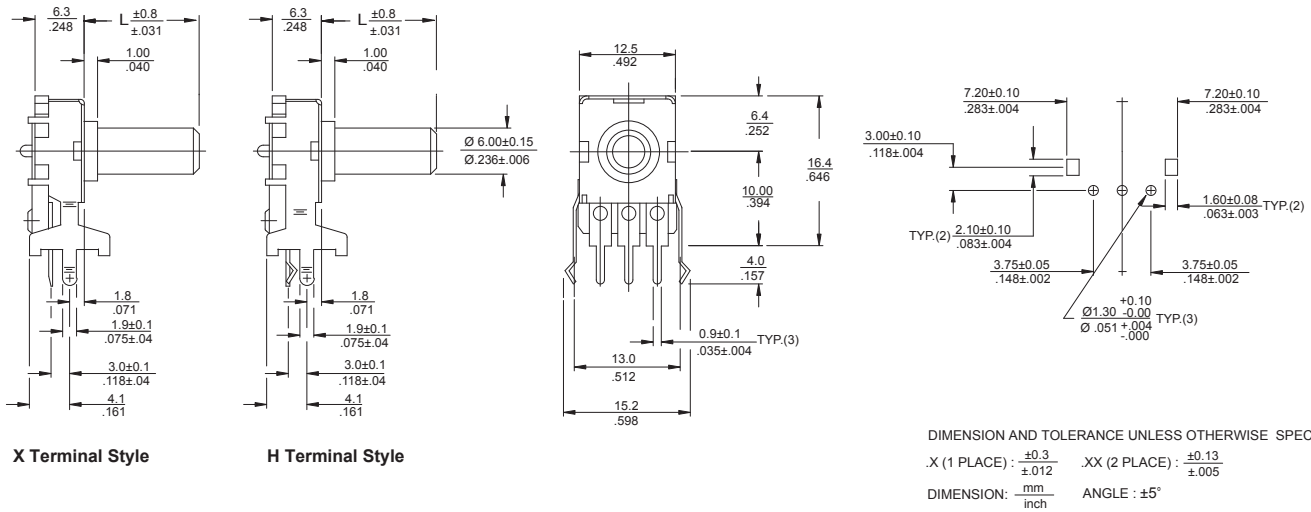
Operating temperature

-10°C ~ 80°C

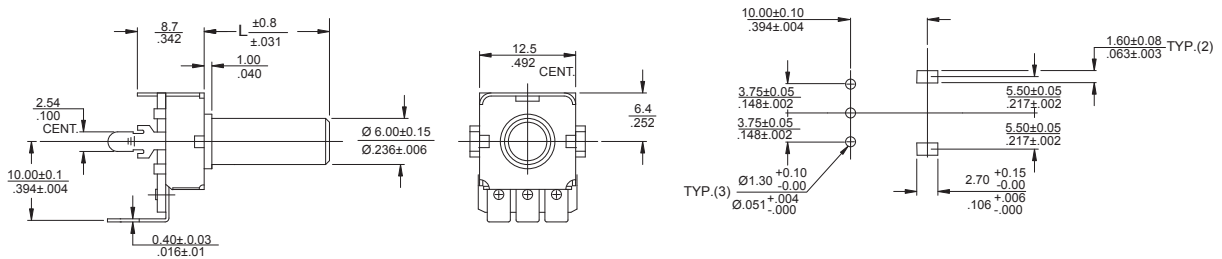
Solder Heat Resistance

260°C for 5 seconds

XM 296RE/ HM 296RE Molded Shaft, Shaft Parallel to P.C. Board



UM 296RE Molded Shaft, Shaft Perpendicular to P.C. Board



Ordering Information

296	X	B	252	B	2	N																			
TERMINAL STYLE X – PC U – PC FORMED TO REAR H – HOOK			RESISTANCE CODE EXAMPLES <table border="1"> <thead> <tr> <th>CODE</th> <th>RESISTANCE</th> </tr> </thead> <tbody> <tr><td>501</td><td>500 OHMS</td></tr> <tr><td>102</td><td>1K</td></tr> <tr><td>252</td><td>2.5K</td></tr> <tr><td>502</td><td>5K</td></tr> <tr><td>103</td><td>10K</td></tr> <tr><td>253</td><td>25K</td></tr> <tr><td>503</td><td>50K</td></tr> <tr><td>104</td><td>100K</td></tr> </tbody> </table>	CODE	RESISTANCE	501	500 OHMS	102	1K	252	2.5K	502	5K	103	10K	253	25K	503	50K	104	100K	RESIST TOL A – $\pm 10\%$ B – $\pm 20\%$ C – $\pm 30\%$		TAPER 1 – LINEAR 2 – 10% AUD 3 – 10% CCW AUD	DETENT N – NO DETENT C – CENTER DETENT
CODE	RESISTANCE																								
501	500 OHMS																								
102	1K																								
252	2.5K																								
502	5K																								
103	10K																								
253	25K																								
503	50K																								
104	100K																								
SHAFTS AVAILABLE (ALL SHAFTS .236" Dia. (6.0mm) except "E" - Diameter is .240" (6.1mm))																									
LENGTH BEYOND																									
COVER		TRIM																							
A – .640" (16.3mm)	FLATTED .472" X .177" (12X4.5mm)																								
B – .840" (21.3mm)	FLATTED .472" X .177" (12X4.5mm)																								
C – 1.031" (26.2mm)	FLATTED .472" X .177" (12X4.5mm)																								
D – .540" (13.7mm)	KNURLED .287" X .18T (7.3mm X 18T)																								
E – .265" (6.7mm)	FLATTED .218" X .204" (5.5 X 5.2mm)																								
F – .640" (16.3mm)	FLATTED .276" X .177" (7X4.5mm)																								
G – .717" (18.2mm)	FLATTED .276" X .177" (7X4.5mm)																								
H – 1.035" (26.3mm)	FLATTED .276" X .177" (7X4.5mm)																								