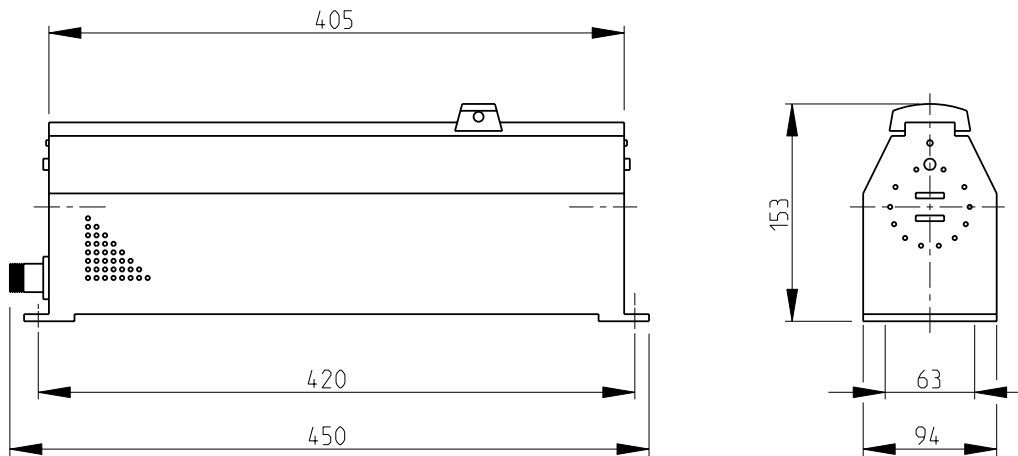
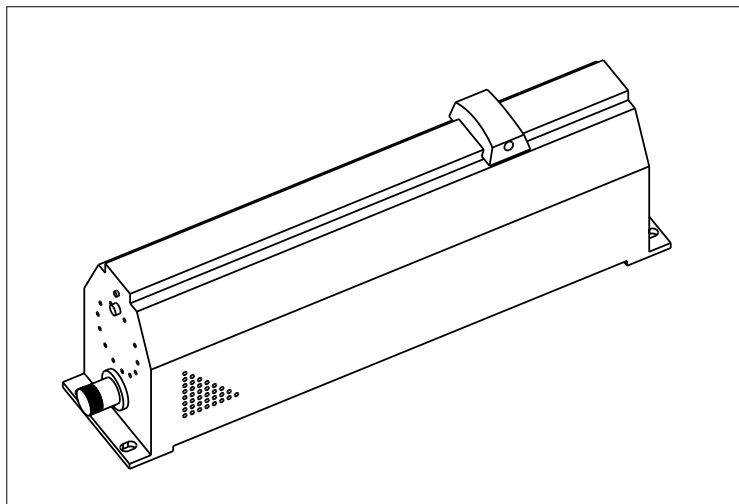


LOC	DIST	REVISIONS				
P	LTR	DESCRIPTION	DATE	DWN	APVD	
E	B	A	NEW RELEASE	17-NOV-08	SM	St.P

FOR FURTHER INFORMATION SEE DATA SHEET FOR  
BFA SERIES-HIGH POWER RESISTORS



RoHS Compliant




2008

RELEASED FOR PUBLICATION

THIS DRAWING IS UNPUBLISHED.

© COPYRIGHT 2008 BY TYCO ELECTRONICS CORPORATION. ALL RIGHTS RESERVED.

DIMENSIONS: mm	DWN	SUBHASH.M	17-NOV-08	MATERIAL	-	FINISH	-
	CHK	PRAKASH.S	17-NOV-08	 Tyco Electronics Corporation Dorcan, Swindon, SN3 5HH			
TOLERANCES UNLESS OTHERWISE SPECIFIED:	APVD	STEPHEN.P	17-NOV-08				
0 PLC ±0.5	PRODUCT SPEC	-	NAME	HIGH POWER RESISTORS SERIES BFA			
1 PLC ±0.2	APPLICATION SPEC	-	SIZE	CAGE CODE	DRAWING NO	RESTRICTED TO	
2 PLC ±0.1	WEIGHT	-	A 4	00779	©= 1625807	-	
3 PLC ±-	CUSTOMER DRAWING			SCALE	1:5	SHEET	1 OF 1
4 PLC ±-				REV	A		
ANGLES ±5°							