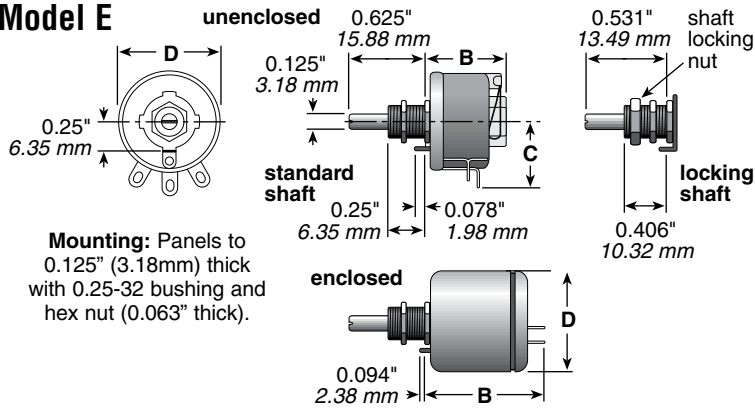
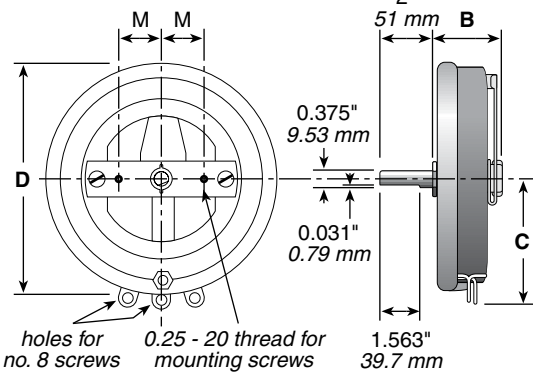


## Model E



**Mounting:** Panels to 0.125" (3.18mm) thick with 0.25-32 bushing and hex nut (0.063" thick).

## Models P, N, R, U



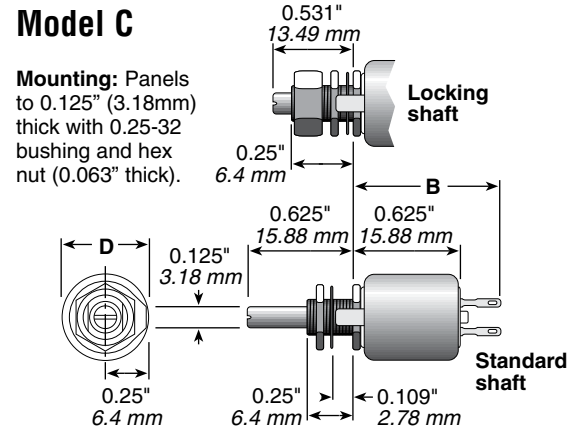
**Dimension "M"**

P	0.875"	22.23 mm
N	1.188"	30.16 mm
R	1.5"	38.1 mm
U	3"	76.2 mm

**Mounting:** Panels to 1.25" (31.75mm) thick with 0.25-20 flat-head screws.

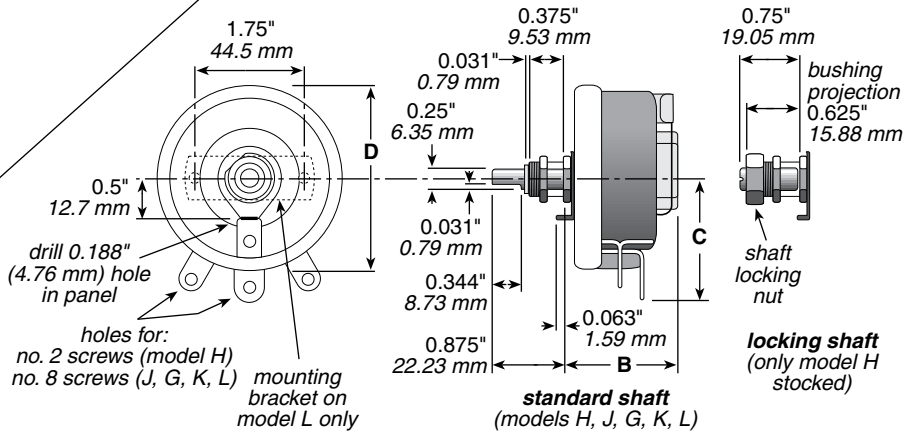
# Rheostats (Potentiometers) Wirewound

## Model C



**Mounting:** Panels to 0.125" (3.18mm) thick with 0.25-32 bushing and hex nut (0.063" thick).

## Models H, J, G, K, L



**Mounting:** Panels to 0.25" (6.35mm) thick with 0.375-32 bushing and hex nut (0.094" thick) (or with 10-32 x 0.75 F.H. screws for model L only).

Dimensions for reference only; consult factory for details.

Since all rheostats/potentiometers are electro-mechanical devices, they are subject to mechanical wear and, therefore, have a finite life.

Models H, J, K, L and N are listed under UL Reexamination Service File No. E-10946 and CSA File No. 21309 unless noted otherwise.

**See page 82 for knobs, dials, and other hardware**

All rheostats are 10% tolerance.

### ORDERING INFORMATION

E = RoHS compliant

Series: Rheostats, Wirewound, Potentiometers

**RCSR50E**

Code	Watts	Model	Shaft	Core	Resistance Value*
CL =	7.5	C	Locking	Enclosed	R50 = 0.50Ω
CS =	7.5	C	Standard	Enclosed	1R0 = 1Ω
EE =	12.5	E	Standard	Enclosed	7R5 = 7.5Ω
EL =	12.5	E	Locking	Open	250 = 250Ω
ES =	12.5	E	Standard	Open	1K0 = 1,000Ω
GS =	75	G	Standard	Open	1K75 = 1,750Ω
HL =	25	H	Locking	Open	4K5 = 4,500Ω
HS =	25	H	Standard	Open	50K = 50,000Ω
JS =	50	J	Standard	Open	
KS =	100	K	Standard	Open	
LS =	150	L	Standard	Open	
NS =	300	N	Standard	Open	
PS =	225	P	Standard	Open	
RS =	500	R	Standard	Open	
US =	1000	U	Standard	Open	

\*Check Table for Standard Resistance Values and Maximum Current Values

Model	Type	Watts	Ohmic range	Core	Max. Voltage (RMS)*	Behind panel "B" (In./mm)	Diameter "D" (In./mm)	Dimension "C" (In./mm)	Shaft torque	Rotation (±5°)
E	RES/REL	12.5	1.0-15K	open	305	0.688/17.46	0.875/ 22.23	0.594/15.08	1-6 oz. in.	300°
H	RHS/RHL	25	1.0-25K	open	500	1.375/34.93	1.560/ 39.62	0.940/23.88	0.25-0.5 lb. in.	300°
J	RJS	50	0.5-50K	open	750	1.375/34.93	2.31 / 58.67	1.56 /39.62	0.25-2 lb. in.	300°
G	RGS	75	0.5-50K	open	900	1.750/44.45	2.75 / 69.25	1.78 /45.21	0.5-2 lb. in.	300°
K	RKS	100	0.5-50K	open	1000	1.750/44.45	3.125/ 79.38	1.91 /48.51	0.5-2 lb. in.	300°
L	RLS	150	0.5-50K	open	1200	2.000 / 50.8	4.00 /101.60	2.28 /57.91	0.5-3 lb. in.	300°
P	RPS	225	1.0-30K	open	1300	2.125/53.98	5.00 /127.00	2.97 /75.44	2.5-4 lb. in.	310°
N	RNS	300	1.0-50K	open	1225	2.375/60.33	6.00 /152.40	3.44 /87.38	2.5-5 lb. in.	320°
R	RRS	500	1.0-20K	open	1450	2.125/53.98	8.00 /203.20	4.31/109.47	4.5-7 lb. in.	325°
U	RUS	1000	1.0-20K	open	1600	3.000 / 76.2	12.00 /304.80	6.38/162.05	3.5-7 lb. in.	335°
C	RCS/RCL	7.5	10.0-5K	enclosed	305	0.875/22.23	0.515/ 13.08	—	0.25-3 oz. in.	300°
E	REE	12.5	1.0-15K	enclosed	305	1.219/30.96	1.047/ 26.59	—	1-6 oz. in.	300°

- Models H, J, G, and K also available in enclosed versions.
- See Catalog #203 for complete details.
- RoHS compliant product available. Add "E" suffix to part number to specify.
- Made-to-order rheostats available: Contact nearest Ohmite sales office.
- \* Voltage rating dependent on resistance value.

STANDARD PART NUMBERS FOR RHEOSTATS

Ohmic value	Part No. Prefix □ Suffix □	7.5W Model C			12.5W Model E				25W Model H			50W Model J	75W Model G	100W Model K	150W Model L	225W Model P	300W Model N	500W Model R	1000W Model U	
		RCS Std. shaft Locking	RCL Locking	Amps max.	RES Std. shaft Locking	REL Locking	REE Enclosed	Amps max.	RHS Std. shaft Locking	RHL Locking	Amps max.	RJS Amps max.	RGS Amps max.	RKS Amps max.	RLS Amps max.	RPS Amps max.	RNS Amps max.	RRS Amps max.	RUS Amps max.	
0.5 —R50											✓ 10.0	✓ 12.3	✓ 14.1	✓ 17.3						
1 —1R0				✓	✓	✓	3.53	✓	✓	5.00	✓ 7.07	✓ 8.66	✓ 10	✓ 12.3	✓ 15.0	✓ 17.32	✓ 22.3	✓ 31.6		
1.5 —1R5																				
2 —2R0				✓	✓	✓	2.50	✓	✓	3.54	✓ 5.00	✓ 6.12	✓ 7.07	✓ 8.65	✓ 10.6	✓ 12.24	✓ 15.8	✓ 22.4		
2.5 —2R5				✓	✓	✓	2.24	✓	✓								✓ 14.1	✓ 20.0		
3 —3R0				✓	✓	✓	2.04	✓	✓	2.88		✓ 5.00	✓ 5.75	✓ 7.07	✓ 8.66	✓ 10.00	✓ 12.9	✓ 18.3		
4 —4R0											✓ 3.53				✓ 7.50	✓ 8.66	✓ 11.2	✓ 15.8		
5 —5R0				✓	✓	✓	1.58	✓	✓			✓ 3.88	✓ 4.47	✓ 5.48	✓ 6.71	✓ 7.75	✓ 10.0			
6 —6R0				✓	✓	✓	1.44	✓	✓	2.04	✓ 2.88									
7.5 —7R5												✓ 3.16	✓ 3.65	✓ 4.47	✓ 5.49	✓ 6.32				
8 —8R0				✓	✓	✓	1.25	✓	✓	1.77	✓ 2.50									
10 —10R	✓	✓	0.86	✓	✓	✓	1.12	✓	✓	1.58				✓ 4.74	✓ 5.48					
12 —12R											✓ 2.04									
12.5 —12R5																				
15 —15R	✓	✓	0.71	✓	✓	✓	0.91	✓	✓	1.29				✓ 3.163	✓ 3.87	✓ 4.47	✓ 6.30	✓ 8.95		
16 —16R											✓ 1.76									
22 —22R											✓ 1.50			✓ 2.17	✓ 2.50					
25 —25R	✓	✓	0.55	✓	✓	✓	0.71	✓	✓	1.00				✓ 1.73	✓ 2.0	✓ 2.450	✓ 3.00	✓ 3.46	✓ 4.47	✓ 6.33
35 —35R	✓	✓	0.46	✓	✓	✓	0.60	✓	✓	0.845	✓ 1.19				✓ 2.070					
40 —40R																				✓ 3.54
50 —50R	✓	✓	0.39	✓	✓	✓	0.50	✓	✓	0.707	✓ 1.00	✓ 1.23	✓ 1.41	✓ 1.735	✓ 2.12	✓ 2.45	✓ 3.16	✓ 4.47		
75 —75R	✓	✓	0.32	✓	✓	✓	0.40	✓	✓	0.575		✓ 1.00	✓ 1.15	✓ 1.415	✓ 1.73	✓ 2.00	✓ 3.16	✓ 4.47		
80 —80R											✓ 0.790						✓ 2.52			
100 —100	✓	✓	0.27	✓	✓	✓	0.36	✓	✓	0.500		✓ 0.866	✓ 1.00	✓ 1.225	✓ 1.50	✓ 1.73	✓ 3.16	✓ 4.47		
125 —125				✓	✓	✓	0.32	✓	✓	0.445	✓ 0.630						✓ 2.00			
150 —150	✓	✓	0.22	✓	✓	✓	0.29				✓ 0.575			✓ 1.000	✓ 1.22	✓ 1.41				
160 —160																				
175 —175				✓	✓	✓	0.27	✓	✓	0.375										
200 —200	✓	✓	0.19	✓	✓	✓	0.25					✓ 0.612	✓ 0.707	✓ 0.865	✓ 1.06	✓ 1.22	✓ 1.69	✓ 2.39		
225 —225											✓ 0.470									✓ 2.11
250 —250	✓	✓	0.17	✓	✓	✓	0.22	✓	✓	0.316				✓ 0.775	✓ 0.866	✓ 1.00	✓ 1.41	✓ 1.83		
300 —300											✓ 0.408	✓ 0.500	✓ 0.575							
325 —325																	✓ 1.24			
350 —350	✓	✓	0.15	✓	✓	✓	0.19	✓	✓	0.267				✓ 0.655	✓ 0.750	✓ 0.866				
400 —400												✓ 0.433	✓ 0.500							✓ 1.48
500 —500	✓	✓	0.12	✓	✓	✓	0.16	✓	✓	0.222	✓ 0.316	✓ 0.388	✓ 0.447	✓ 0.548			✓ 1.00	✓ 1.41		
600 —600															✓ 0.567	✓ 0.655				
700 —700																				
750 —750	✓	✓	0.10	✓	✓	✓	0.13	✓	✓	0.182		✓ 0.316	✓ 0.365	✓ 0.447			✓ 0.817	✓ 1.15		
800 —800											✓ 0.250									
900 —900															✓ 0.500	✓ 0.578	✓ 0.707	✓ 1.00		
1000 —1K0	✓	✓	0.086	✓	✓	✓	0.10	✓	✓	0.155	✓ 0.224	✓ 0.274	✓ 0.316		✓ 0.433	✓ 0.500	✓ 0.707	✓ 1.00		
1200 —1K2																				
1250 —1K25														✓ 0.346						
1500 —1K5	✓	✓	0.071	✓	✓	✓	0.090	✓	✓	0.129		✓ 0.224	✓ 0.258	✓ 0.387	✓ 0.447	✓ 0.577	✓ 0.816			
1600 —1K6											✓ 0.176									
1750 —1K75															✓ 0.358	✓ 0.414				
1800 —1K8														✓ 0.288						
2000 —2K0												✓ 0.194	✓ 0.224		✓ 0.336	✓ 0.387	✓ 0.500			
2250 —2K25														✓ 0.259						
2500 —2K5	✓	✓	0.055	✓	✓	✓	0.070	✓	✓	0.100	✓ 0.141	✓ 0.173	✓ 0.200		✓ 0.300	✓ 0.346	✓ 0.447	✓ 0.633		
3000 —3K0														✓ 0.224						
3500 —3K5	✓	✓	0.046	✓	✓	✓	0.060	✓	✓	0.084	✓ 0.119									
4500 —4K5														✓ 0.182						
5000 —5K0	✓	✓	0.039	✓	✓	✓	0.050	✓	✓	0.070	✓ 0.100	✓ 0.123	✓ 0.141							
7500 —7K5				✓	✓	✓	0.041	✓	✓	0.058		✓ 0.100	✓ 0.115	✓ 0.141						
8000 —8K0											✓ 0.079									
10000 —10K				✓	✓	✓	0.035	✓	✓	0.050	✓ 0.070	✓ 0.087	✓ 0.100	✓ 0.122						
12500 —12K5				✓	✓	✓	0.031	✓	✓											
15000 —15K				✓	✓	✓	0.029	✓	✓	0.041	✓ 0.058									
20000 —20K				✓	✓	✓	0.035	✓	✓	0.050	✓ 0.050									
25000 —25K				✓	✓	✓	0.032	✓	✓		✓ 0.045									
30000 —30K											✓ 0.041									
40000 —40K											✓ 0.035									
50000 —50K											✓ 0.032									

✓ = Standard values; check availability  
Rheostats are silicone-ceramic coated at and above the following ohmic values:  
Model C: all  
Model E: 3500  
Model H: 7500  
Model J: 15,000  
Model G: 5000  
Model K: 7500  
Model L: 7500

Check product availability at  
[www.ohmite.com](http://www.ohmite.com)