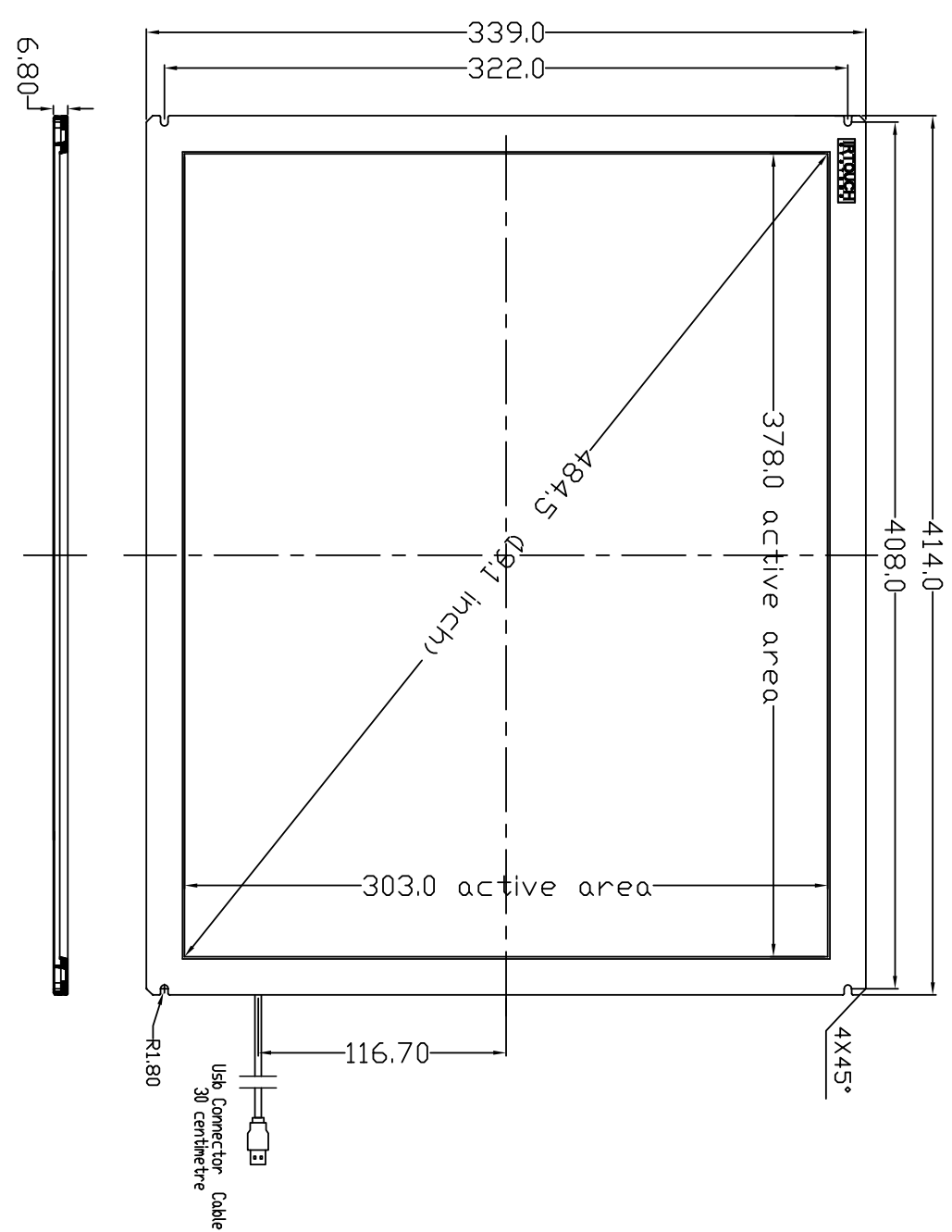


H G F E D C B A



request:
1 toughened glass

IRTOUCH		BEIJING IRTOUCHSYSTEMS CO., LTD.		EXPLODE No:	Rev:	PROJECTION
DO NOT SCALE DRAWING ALL DIMENSIONS ARE MM		PART No:	E19		A	1:1
MATERIAL:		PART NAME:	Touchscreen for led (usb port)	CHECKED:	APPROVED:	SCALE: 1:1
FINISH:		ANGULAR TOL:	±1.0°	DATE:	DATE:	SHEET 1 OF 1
ACTION:		DESIGNER:		DATE:	DATE:	A4