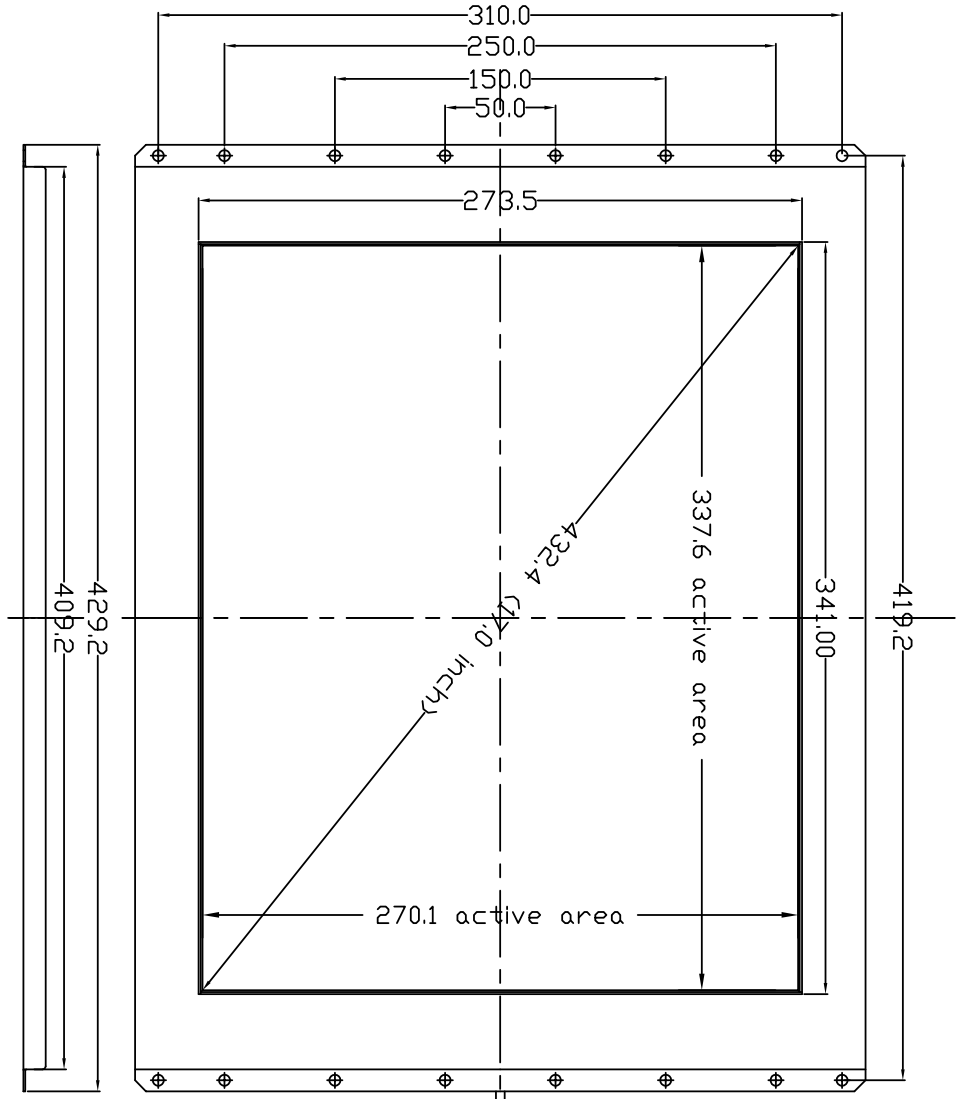


request:
1 toughened glass



IRTOUCH		BEIJING IRTOUCHSYSTEMS CO., LTD		EXPLODE No:	Rev:	PROJECTION
MATERIAL:		DO NOT SCALE DRAWING ALL DIMENSIONS ARE MM		PART No:	A	DRAW No:
FINISH:		TOLERANCE: LINEAR TOL: X=±1.0 ANGULAR TOL: XX=±0.5 =±1.0°		PART NAME: Touchscreen for led (com port)	CHECKED:	SCALE: 1:1
ACTION:		DESIGNER:		DATE:	APPROVED:	SHEET 1 OF 1
		DATE:		DATE:	DATE:	A4

H G F E D C B A

1

2

3

4

5

6