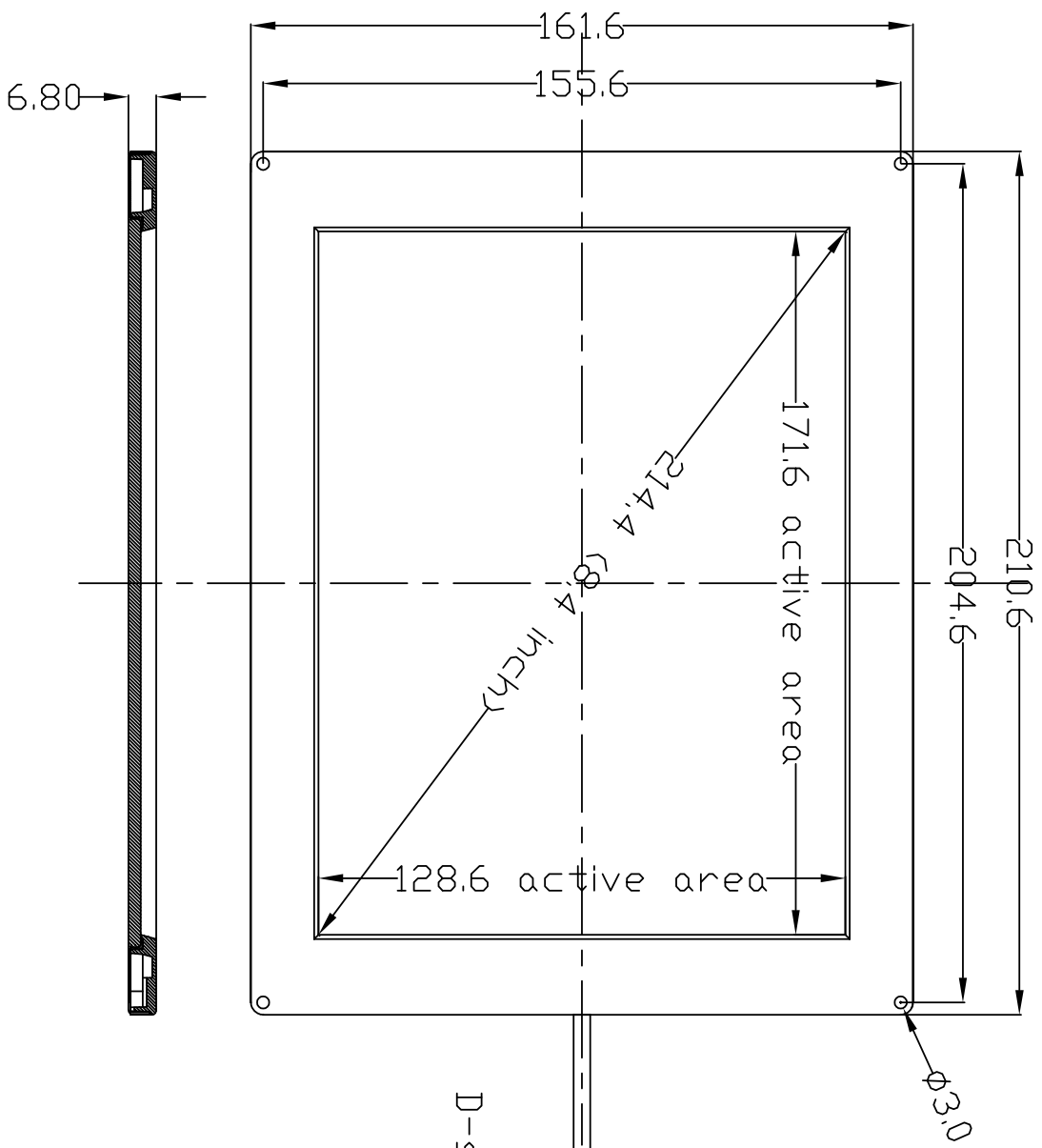


H G F E D C B A



request:
1 glass

IRTOUCH		BEIJING IRTOUCHSYSTEMS CO., LTD.		EXPLODE No:	Rev:	PROJECTION
MATERIAL:		DO NOT SCALE DRAWING ALL DIMENSIONS ARE MM			A	
FINISH:		TOLERANCE: LINEAR TOL: X=±1.0 YY=±0.5 ANGULAR TOL: =±1.0°		PART No:		DRAW No:
ACTION:		DESIGNER:		PART NAME:		SCALE: 1:1
DATE:		CHECKED:		Touchscreen for led(COM port)		SHEET 1 OF 1
		DATE:		APPROVED:		A4