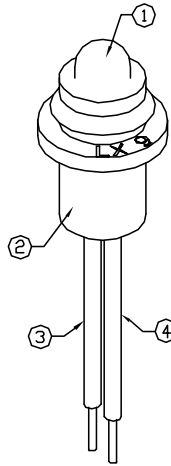
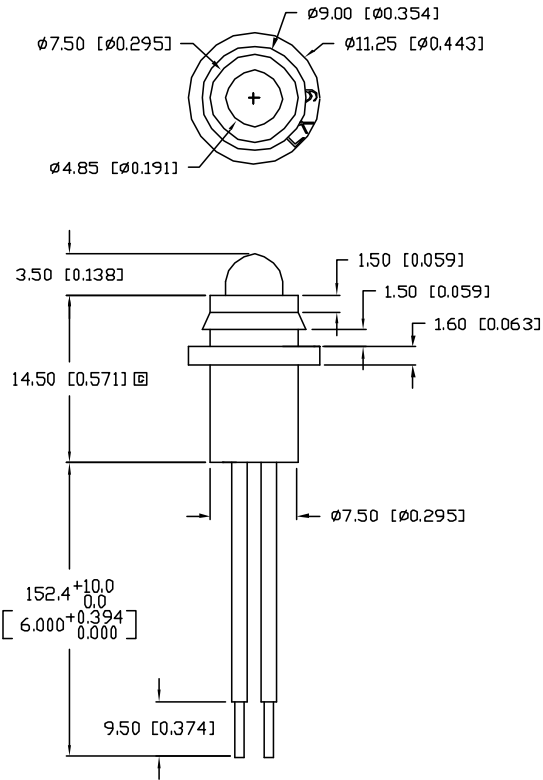
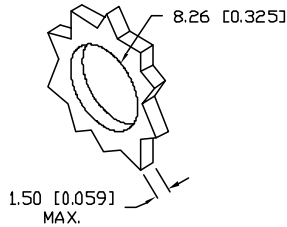


UNCONTROLLED DOCUMENT



PANEL CUTOUT



PART NUMBER		REV.
SSI-LXH9GD-150		D
REV.	E.C.N. NUMBER AND REVISION COMMENTS	DATE
A	CHANGED NOTES.	4.29.94
B	UPDATED SPECS AND NOTES.	5.31.95
C	E.C.N. #10427.	5.15.98
D	E.C.N. #10BRDR. & REDRAWN IN 3D.	1.8.02

ELECTRO-OPTICAL CHARACTERISTICS  $T_A=25^{\circ}\text{C}$   $I_f=20\text{mA}$

PARAMETER	MIN	TYP	MAX	UNITS	TEST COND
PEAK WAVELENGTH		565		nm	
FORWARD VOLTAGE		2.2	2.6	$V_f$	
REVERSE VOLTAGE	5.0			$V_r$	$I_f=100\mu\text{A}$
AXIAL INTENSITY		30		mcd	$I_f=20\text{mA}$
VIEWING ANGLE		60		$2x$ theta	
EMITTED COLOR:	GREEN				
EPOXY LENS FINISH:	GREEN DIFFUSED				

LIMITS OF SAFE OPERATION AT  $25^{\circ}\text{C}$

PARAMETER	MAX	UNITS
PEAK FORWARD CURRENT*	150	mA
STEADY CURRENT	25	mA
POWER DISSIPATION	105	mW
DERATE FROM $25^{\circ}\text{C}$	-1.2	mW/ $^{\circ}\text{C}$
OPERATING, STORAGE TEMP.	-40 TO +85	$^{\circ}\text{C}$

\*  $t < 10\mu\text{s}$

- NOTES:
1. SSL-LX509F3GD, GREEN LED.
  2. SSH-LXH9, BLACK RUBBER HOUSING.
  3. ANODE LEAD: LXP-WST24RDTCC, 24 AWG STRANDED, RED INSULATION, CUT 155mm LONG, STRIP 2mm & 9.5mm.
  4. CATHODE LEAD: LXP-WST24BLTCC, 24 AWG STRANDED, BLACK INSULATION, CUT 155mm LONG, STRIP 2mm & 9.5mm.
  5. CRIMP WIRE LEADS TO LED LEADS.

UNCONTROLLED DOCUMENT

\*UNLESS OTHERWISE SPECIFIED TOLERANCES PER DECIMAL PRECISION ARE: X=±1 (±0.039), XX=±0.5 (±0.020), XXX=±0.25 (±0.010), XXXX=±0.127 (±0.005). LEAD SIZE=±0.05 (±0.002), LEAD LENGTH=±0.75 (±0.030). MIN= +DECIMAL PRECISION -0.00 MAX= +0.00 -DECIMAL PRECISION

REV.	PART NUMBER
D	SSI-LXH9GD-150

**CONFIDENTIAL INFORMATION**  
 THE INFORMATION CONTAINED IN THIS DOCUMENT IS THE PROPERTY OF LUMEX INC. EXCEPT AS SPECIFICALLY AUTHORIZED IN WRITING BY LUMEX INC., THE HOLDER OF THIS DOCUMENT SHALL KEEP ALL INFORMATION CONTAINED HEREIN CONFIDENTIAL AND SHALL PROTECT SAME IN WHOLE OR IN PART FROM DISCLOSURE AND DISSEMINATION TO ALL THIRD PARTIES.



290 E. HELEN ROAD  
 PALATINE, IL 60067-6976  
 PHONE: +1.847.359.2790  
 US WEB: www.lumex.com  
 TW WEB: www.lumex.com.tw

T-5mm 565nm GREEN LED PANEL INDICATOR,  
 GREEN DIFFUSED LENS, 6" WIRE LEADS.

**RELIABILITY NOTE**  
 OUR MANY YEARS OF EXPERIENCE DATA ACCUMULATION INDICATE THAT SOLDER HEAT IS A MAJOR CAUSE OF EARLY AND FUTURE FAILURE. PLEASE PAY ATTENTION TO YOUR SOLDERING PROCESS.

DRAWN BY:	CHECKED BY:	APPROVED BY:	DATE:
BC			5.28.92
			PAGE: 1 OF 1
			SCALE: N/A