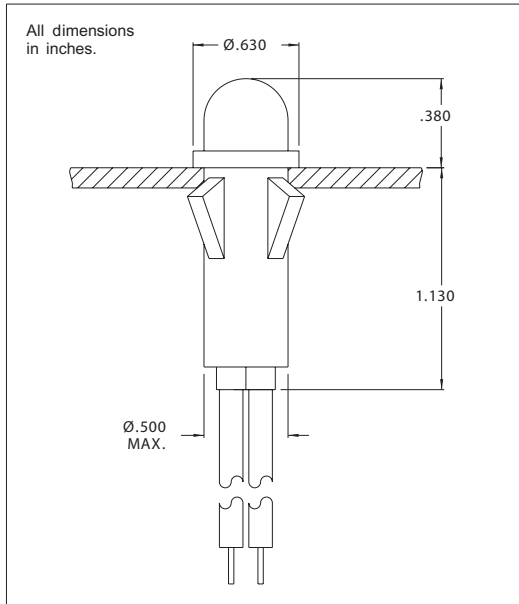




1091M Series Non-Relampable LED Indicator Lights

DESCRIPTION AND FEATURES



Solid-state indicator lights complete with built-in current-limiting resistor and rectifier diode.

Mounting: Will snap-fit into \varnothing .500/.505 hole in panels .020/.100 thick. Push-on speednut SN0461 also available.

Mounting hole pattern on page SP2.

Wire Leads: No.22 AWG (105°C), lead color: red and white, 4.40/4.80 long, stripped .430/.570

Lens: Polycarbonate

Anode(+): Red lead

Bezel: Polished stainless steel. For black finish add "X" after the series letter(s).

Housing: White Nylon

| Lens Color | LED Solid State Indicator | | | |
|--------------------------|---------------------------|-----------------|-----------------|------------------------------|
| | Model No. (6V) | Model No. (12V) | Model No. (24V) | Model No. (105-125 VAC *) |
| Red | 1091M1-6V | 1091M1-12V | 1091M1-24V | 1091M1-125VAC |
| Green | 1091M5-6V | 1091M5-12V | 1091M5-24V | 1091M5-125VAC |
| Yellow | 1091M7-6V | 1091M7-12V | 1091M7-24V | 1091M7-125VAC |
| Internal Resistor (ohms) | 150 | 390 | 1000 | (2) 3.9K1/2W* (One Internal) |

Notes: Also incorporates IN4004 (400 P.I.V.) rectifier diode.

*125 VAC supplied with 6" white wire, stripped 1/2" with external 3.9K 1/2 watt resistor attached to one lead, covered with shrink tubing insulation.

| Voltage Table | | |
|---------------|------------|------------|
| Nominal | VAC | VDC |
| 6V | 5 to 11 | 3.5 to 6.5 |
| 12V | 10 to 20 | 6 to 13.5 |
| 24V | 22 to 32 | 12 to 24 |
| 125 VAC | 105 to 125 | - |

| Lens Color | Incorporates LED* |
|------------|-------------------|
| Red | 4304H1 |
| Green | 4304H5 |
| Yellow | 4304H7 |

* Also incorporates 1N4004 (400 P.I.V.) rectifier diode.

To use 24V model: Beyond 32VAC add 30 ohms per volt; beyond 24 VDC add 50 ohms per volt.

Use 1/2W resistor up to 50V; 1W resistor for 50V to 70V; 2W resistor for 75V to 125V. Do not use beyond 125V.

147 Central Avenue
Hackensack, NJ 07601
Phone: (201) 489-8989
Fax: (201) 489-6911

18703 Dix Toledo Road
Brownstown, MI 48193

Saret Zone Franca, Edificio B
Alajuela Costa Rica

E-mail: sales@chml.com • Web Site: www.chml.com

Chicago Miniature Lighting, LLC reserves the right to make specification revisions that enhance the design and/or performance of the product