

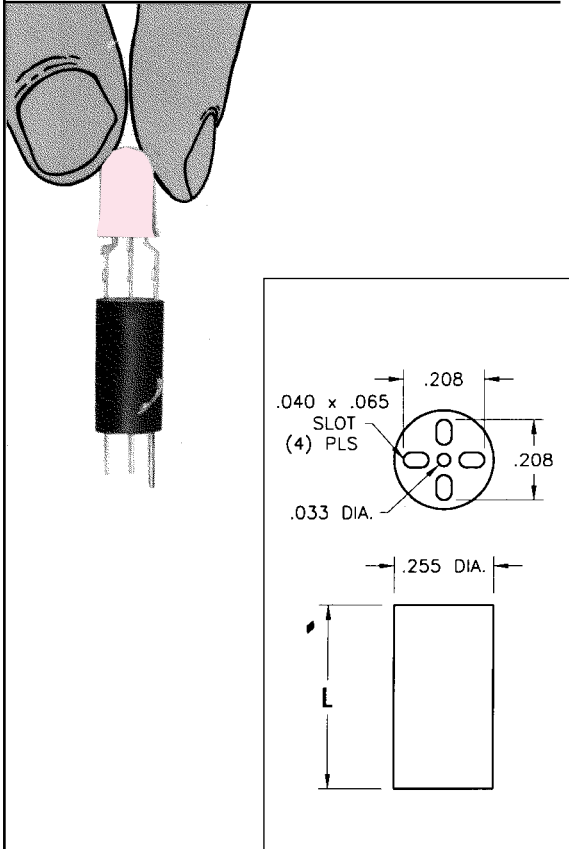
LED SPACER MOUNTS

Designers' Choice



"UNIVERSAL" FOR TRI-LEAD T-1 & T-1 3/4

- Unique design separates leads and retains Tri-Lead (and/or Bi-Lead) components
- Designed for PC board mounting of Tri-Lead (and/or Bi-Lead) T-1 and T-1^{3/4} LEDs
- Provides height control, lead retention and stability
- Also suitable for mounting lamps, resistors, transistors, diodes, capacitors, etc.



MATERIAL: Black PVC, UL Rated 94V-0

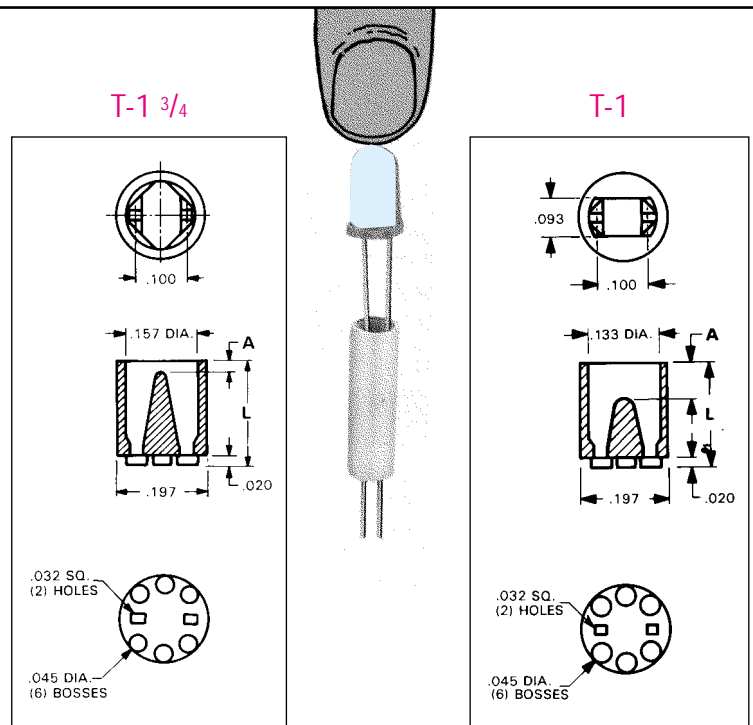
| T-1 ^{3/4} and T-1 | | | |
|----------------------------|------------|----------|------------|
| CAT. NO. | LENGTH "L" | CAT. NO. | LENGTH "L" |
| 8900 | .120 | 8916 | .400 |
| 8901 | .140 | 8917 | .420 |
| 8902 | .160 | 8918 | .440 |
| 8903 | .180 | 8919 | .450 |
| 8904 | .200 | 8920 | .460 |
| 8905 | .220 | 8921 | .480 |
| 8906 | .240 | 8922 | .500 |
| 8907 | .250 | 8923 | .550 |
| 8908 | .260 | 8924 | .600 |
| 8909 | .280 | 8925 | .650 |
| 8910 | .300 | 8926 | .700 |
| 8911 | .320 | 8927 | .750 |
| 8912 | .340 | 8928 | .800 |
| 8913 | .350 | 8929 | .850 |
| 8914 | .360 | 8930 | .900 |
| 8915 | .380 | 8931 | .925 |

"SELF-ALIGNING" FOR BI-LEAD T-1 & T-1 3/4

- These unique, new self-aligning Bi-Lead LED mounting spacers, for T-1 and T-1^{3/4} LEDs, reduce labor costs by simplifying preassembly to the printed circuit board
- The spacer features an internally tapered barrier which guides the leads and eliminates the possibility of crimping or shorting. The internal configuration also assures positive self-alignment on .100 centers
- The bosses serve the dual purpose of heat dissipation and easy post soldering cleanup
- Available in a range of lengths from .120 to .925 long. Molded from 6/6 nylon, UL Rated 94V-2

Key Features...

- Internal design eliminates crimping or shorting of leads
- Positive self-alignment of leads on .100 centers
- Cost and labor saving
- No special tools required



MATERIAL: Natural Nylon, UL Rated 94V-2

| T-1 ^{3/4} | | T-1 | | T-1 ^{3/4} | | T-1 | |
|--------------------|----------|------------|----------|--------------------|----------|------------|----------|
| CAT. NO. | CAT. NO. | LENGTH "L" | "A" REF. | CAT. NO. | CAT. NO. | LENGTH "L" | "A" REF. |
| 8311 | 7351 | .120 | .045 | 8327 | 7367 | .400 | .075 |
| 8312 | 7352 | .140 | .065 | 8328 | 7368 | .420 | .095 |
| 8313 | 7353 | .160 | .085 | 8329 | 7369 | .440 | .115 |
| 8314 | 7354 | .180 | .105 | 8330 | 7370 | .450 | .120 |
| 8315 | 7355 | .200 | .125 | 8331 | 7371 | .460 | .135 |
| 8316 | 7356 | .220 | .145 | 8332 | 7372 | .480 | .145 |
| 8317 | 7357 | .240 | .045 | 8333 | 7373 | .500 | .055 |
| 8318 | 7358 | .250 | .060 | 8334 | 7374 | .550 | .095 |
| 8319 | 7359 | .260 | .065 | 8335 | 7375 | .600 | .150 |
| 8320 | 7360 | .280 | .090 | 8336 | 7376 | .650 | .075 |
| 8321 | 7361 | .300 | .110 | 8337 | 7377 | .700 | .120 |
| 8322 | 7362 | .320 | .120 | 8338 | 7378 | .750 | .055 |
| 8323 | 7363 | .340 | .140 | 8339 | 7379 | .800 | .110 |
| 8324 | 7364 | .350 | .150 | 8340 | 7380 | .850 | .160 |
| 8325 | 7365 | .360 | .160 | 8341 | 7381 | .900 | .200 |
| 8326 | 7366 | .380 | .060 | 8342 | 7382 | .925 | .230 |