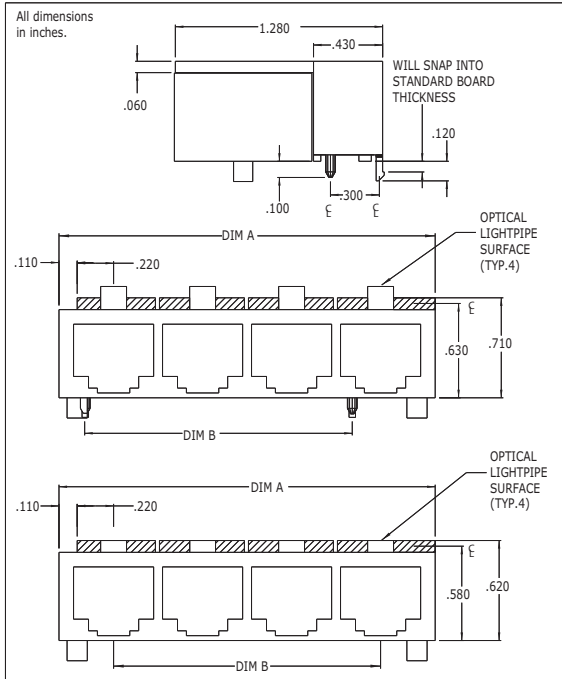




## 7101P/R Series Bright★Pipes™ Optical Lightpipes FOR RJ-STYLE JACKS

### DESCRIPTION AND FEATURES



- Precision engineered with **ray tracing** for bright, optically precise even indication and attractive appearance.
- ESD protection from circuitry for exceptional reliability.
- High contrast and wide viewing angle for greater visibility.
- Parts inserted after reflow to permit LED pad inspection before assembly.
- Optimized for use with Bright★Chips™ CMD67-21 Series.
- 7101P features large square lens (.16" x .16") for high visibility.
- 7101R features low profile (.16" x .07" h) rectangular lens ideal for height-constrained applications.
- One lightpipe per port.

Model	Mounting	Ports	DIM A	DIM B
7101P1/7101R1	M or T	1	.550	-
7101P2/7101R2	M or T	2	1.10	.550
7101P3/7101R3	M or T	3	1.65	1.10
7101P4/7101R4	M or T	4	2.20	1.65
7101P5/7101R5	M or T	5	2.75	2.20
7101P6/7101R6	M or T	6	3.30	2.75
7101P7/7101R7	M or T	7	3.85	3.30
7101P8/7101R8	M or T	8	4.40	3.85

\*M=locking press-in pin for .062" boards;  
 T=double sided adhesive (supplied separately)  
 Example: To order Series 7101P Bright★Pipes with 6 ports and press-in mounting, you would order 7101P6-M.

Mounting hole pattern on page 1-X5.

Ports	Dim A	Dim B	Dim C	Dim D	Dim E	Dim F	Dim G
1	.550	N/A	N/A	.175	N/A	N/A	N/A
2	1.10	1.00	.550	.175	.550	N/A	N/A
3	1.65	1.55	1.10	.175	1.10	N/A	N/A
4	2.20	2.10	1.65	.175	1.65	N/A	N/A
5	2.75	2.65	2.20	.175	1.65	N/A	N/A
6	3.30	3.20	2.75	N/A	N/A	.925	1.65
7	3.85	3.75	3.30	N/A	N/A	.925	1.65
8	4.40	4.30	3.85	N/A	N/A	.925	1.65

147 Central Avenue  
 Hackensack, NJ 07601  
 Phone: (201) 489-8989  
 Fax: (201) 489-6911

18703 Dix Toledo Road  
 Brownstown, MI 48193

Saret Zone Franca, Edificio B  
 Alajuela Costa Rica

E-mail: sales@chml.com • Web Site: www.chml.com

Chicago Miniature Lighting, LLC reserves the right to make specification revisions that enhance the design and/or performance of the product