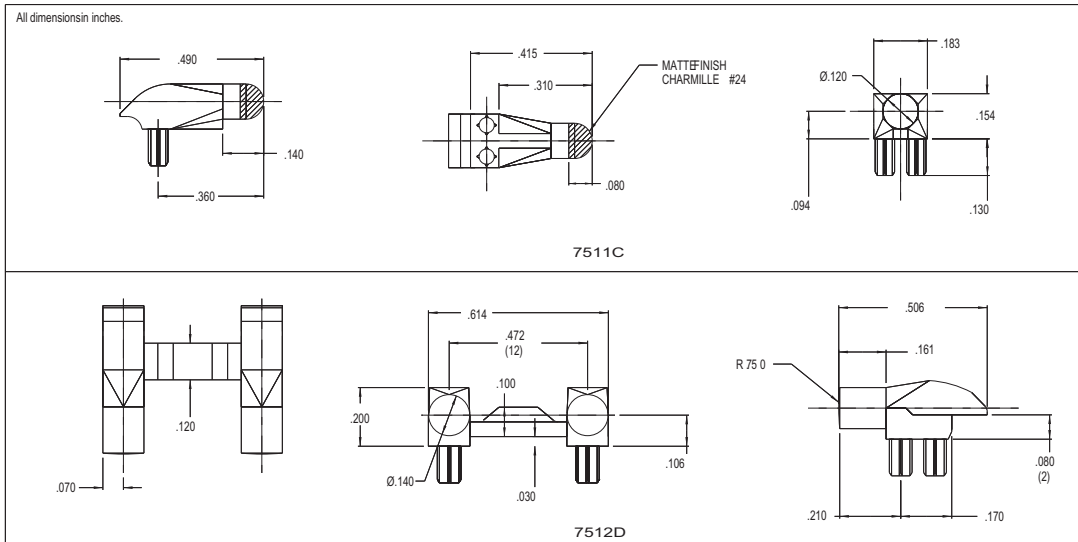




7511C & 7512D Series Bright★Pipes™ Optical Lightpipes

DESCRIPTION AND FEATURES



- Precision engineered with **ray tracing** for bright, optically precise even indication and attractive appearance.
- ESD protection from circuitry for exceptional reliability.
- High contrast and wide viewing angle for greater visibility.
- Available in a variety of colors for added contrast and aesthetics.
- Parts inserted after reflow to permit LED pad inspection before assembly.
- Compliance to UL94V-0
- Low profile for height constrained applications.
- Large lens provides high visibility.
- 7511C features 3mm dome and is designed for use with 7012X Bright★Chips™ SMT LEDs.
- 7512D is designed for use with 67-21 and 67-22 Bright Chip LEDs.

Mounting hole pattern on page 1-X4.

| MODEL | OUTPUT COLOR |
|--------|--------------|
| 7511C5 | GREEN |
| 7511C1 | RED |
| 7511C7 | YELLOW |
| 7511C2 | CLEAR |
| 7512D1 | RED |
| 7512D2 | CLEAR |
| 7512D5 | GREEN |
| 7512D7 | YELLOW |

147 Central Avenue
 Hackensack, NJ 07601
 Phone: (201) 489-8989
 Fax: (201) 489-6911

18703 Dix Toledo Road
 Brownstown, MI 48193

Saret Zone Franca, Edificio B
 Alajuela Costa Rica

E-mail: sales@chml.com • Web Site: www.chml.com

Chicago Miniature Lighting, LLC reserves the right to make specification revisions that enhance the design and/or performance of the product