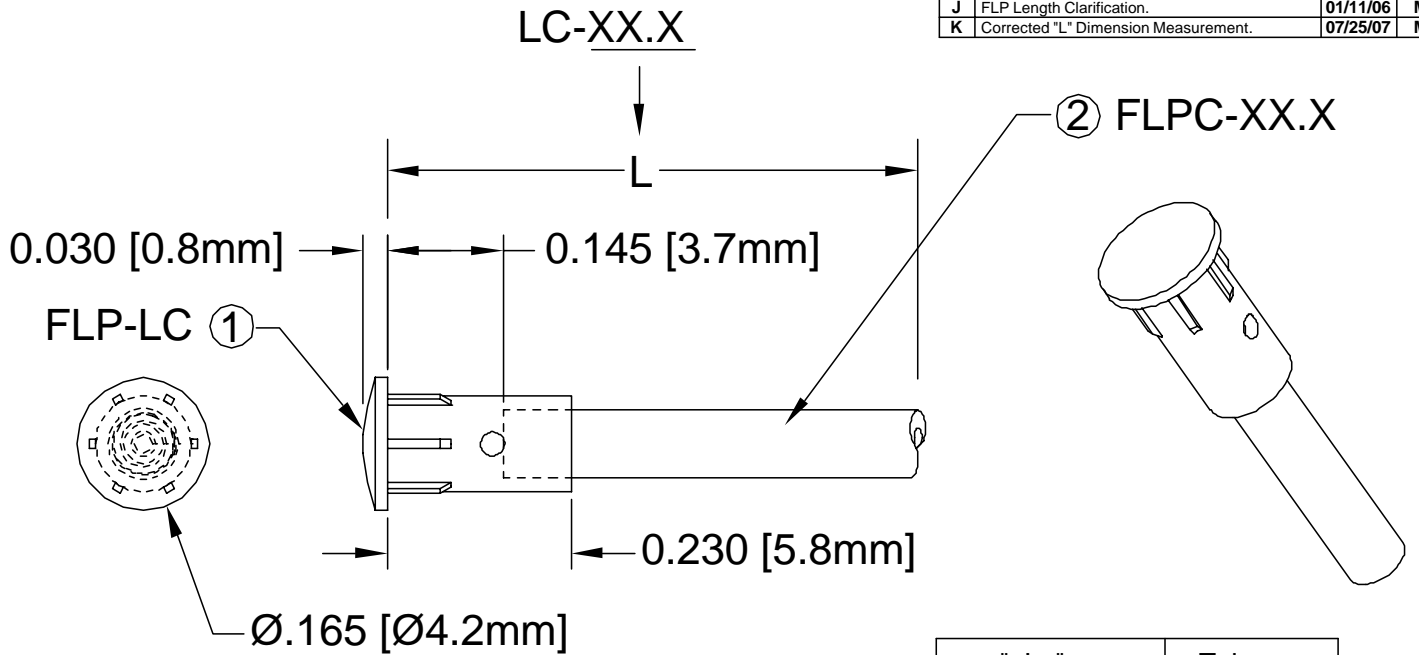


ITEM	Q'TY	PART NUMBER	PART DESCRIPTION
1	1	FLP-LC	HOLDER CAP, FLEXIBLE LIGHT-PIPE
2	1	FLPC-XX.X	LIGHT PIPE CABLE, CUT LENGTH IN INCHES

REV.	DESCRIPTION	DATE	APPROVED
E	Engineering Update w/o Changes	03/08/04	M. C.
F	Typo Correction	12/08/04	M. C.
G	Dimensioning Update w/o Changes	01/04/05	M. C.
H	FLP Length Update.	10/18/05	M. C.
J	FLP Length Clarification.	01/11/06	M. C.
K	Corrected "L" Dimension Measurement.	07/25/07	M. C.



" L "	Tolerance
2.5" ~ 16.0"	±0.050"
16.1" ~ 40.0"	±0.15"
40.1" ~ 80.0"	±0.30"
80.1" ~ 3,940.0"	±0.5%

STANDARD TOLERANCE (UNLESS OTHERWISE SPECIFIED)	
DECIMALS	ANGULAR
.X ±.1	X° ±1°
.XX ±.02	
.XXX ±.010	

BIVAR®

4 THOMAS, IRVINE, CA 92618
TEL: (949) 951-8808 FAX: (949) 951-3974

DESIGNED: Shane Irving	DATE: 05/22/02	PART NO: LC-XX.X	REVISION: K
CHECKED: M. Chen	DATE: 05/22/02	CAGE CODE : 32559	SHEET # 1 OF 1

CAD GENERATED DOCUMENT, DO NOT MEASURE DRAWING.