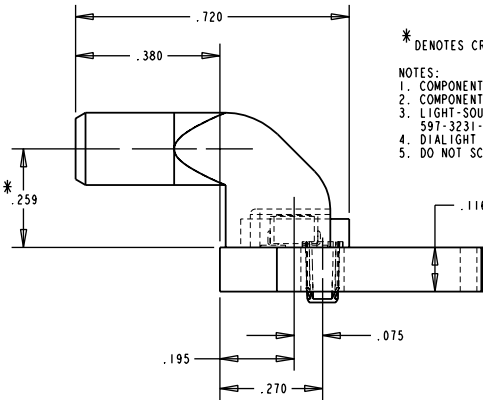
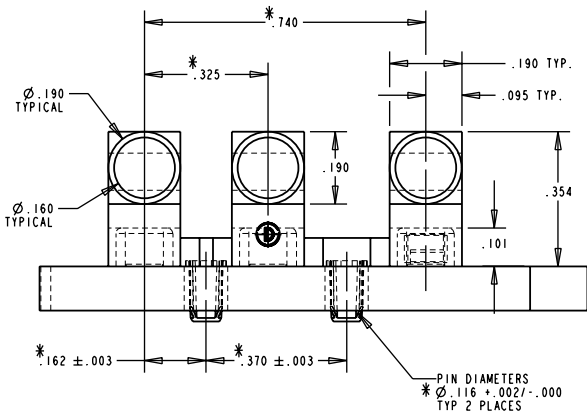
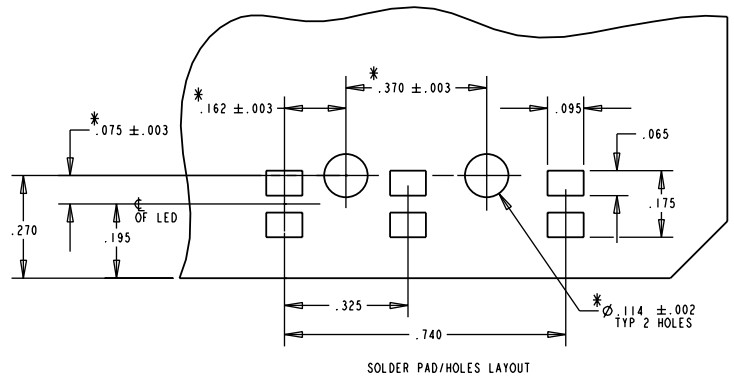
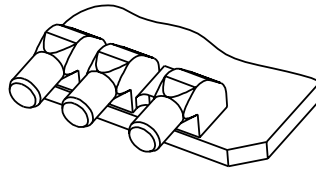
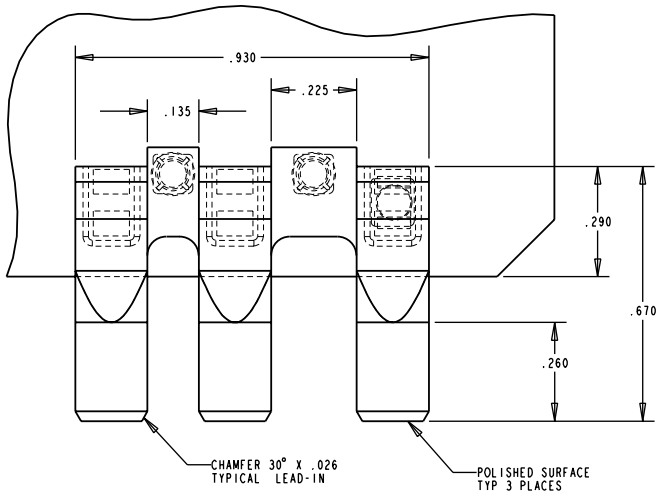


REV.	ECN NO.	REVISIONS	DRN.	CKD.	APP.	DATE
A		NEW RELEASE	ADM			



* DENOTES CRITICAL DIMENSION OR SPECIFICATION.

NOTES:

1. COMPONENT TO BE MOLDED IN A CLEAR TRANSMISSIVE POLYCARBONATE MATERIAL.
2. COMPONENT TO BE PRESSED INTO A .116" THICK P.C. BOARD.
3. LIGHT-SOURCE: SMT LED DIALIGHT SERIES P/N: 597-3121-607, 597-3231-207, 597-3306-207.
4. DIALIGHT LIGHTPIPE PART NUMBER 515-1120.
5. DO NOT SCALE DRAWING.

THIS DRAWING AND THE CONTENTS HEREIN ARE CONFIDENTIAL AND THE SOLE PROPERTY OF DIALIGHT. REPRODUCTION OF THIS DRAWING OR CONSTRUCTION OF ANY PARTS WITHIN THIS DRAWING ARE FORBIDDEN WITHOUT THE WRITTEN CONSENT OF DIALIGHT.		
SCALE: 1:1	DRAWING NUMBER	REV
ALL DIM'S IN: INCHES-AND-32nds	C-16849	A
TOLERANCES: UNLESS OTHERWISE SPECIFIED	TITLE	
FRACTIONS: ±1/64	3 ELEMENT LIGHTPIPE	
DECIMALS (.XX): ±.01	MATERIAL	
DECIMALS (.XXX): ±.005	Dialight	
DECIMALS (.XXXX): ±.0005	1501 ROUTE 34 SOUTH FARMINGDALE, NJ 07727	
ANGLES: ±P	FSCM 83330	SHEET OF FAMILY TABLE: