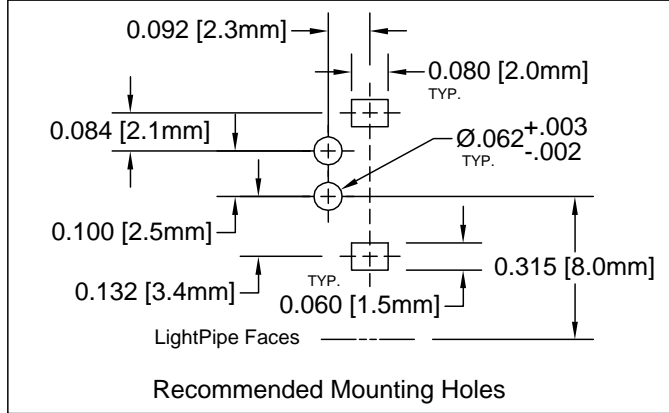
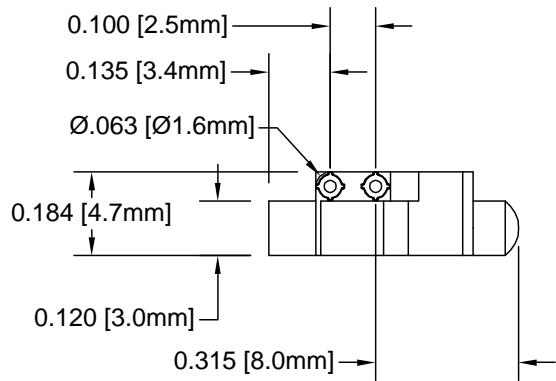
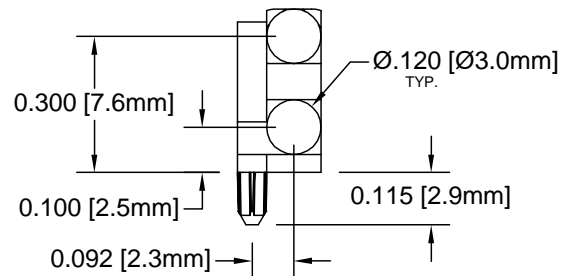
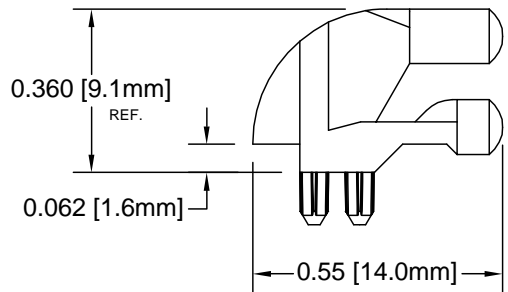


REV.	DESCRIPTION	DATE	APPROVED
B	Engineering Update w/o Changes	03/08/04	M. C.



- 2. MATERIAL: POLYCARBONATE 94V-0 CLEAR, BIVAR MATERIAL CODE 47-CR.
SAMYANG CORPORATION POLYCARBONATE 3025N2 CLEAR
- 1. GENERAL SPECIFICATIONS: BIVAR MOLDED COMPONENT SPECIFICATION BV00-E101.

STANDARD TOLERANCE (UNLESS OTHERWISE SPECIFIED)		 4 THOMAS, IRVINE, CA. 92618 TEL: (949) 951-8808 FAX: (949) 951-3974	
DECIMALS	ANGULAR		
.X ± .1	X° ± 1°	TITLE: LIGHT PIPE, 2 HIGH, RIGHT ANGLE	
.XX ± .01			
.XXX ± .005		PART NO: LP-230	REVISION: B
DESIGNED: Michael Chen	DATE: 10/09/01	CAGE CODE: 32559	SHEET # 1 OF 1
CHECKED: S. Irving	DATE: 10/09/01	CAD GENERATED DOCUMENT. DO NOT MEASURE DRAWING.	