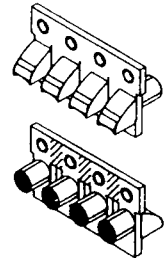
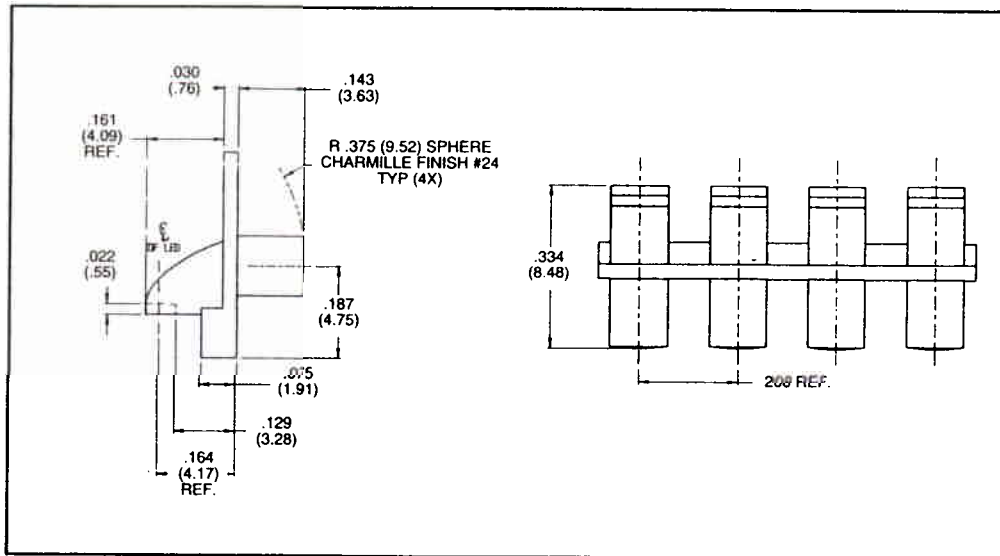


Series 7640D2 Bright★Pipes™ OPTICAL LIGHT PIPES
DESCRIPTION AND FEATURES

ISOMETRIC VIEW

- Precision engineered with **ray tracing** for bright, optically precise even indication and attractive appearance
- ESD protection from circuitry for exceptional reliability
- Optimized for use with Bright★Chips™ SMT LEDs
- High contrast and wide viewing angle for greater visibility
- Available in a variety of colors for added contrast and aesthetics
- Parts inserted after reflow to permit LED pad inspection before assembly
- Compliance to UL94V-O
- Low profile for height constrained applications
- Large lens provides high visibility
- All dimensions in inches (mm)

MOUNTING HOLE AND SOLDER PAD PATTERN
