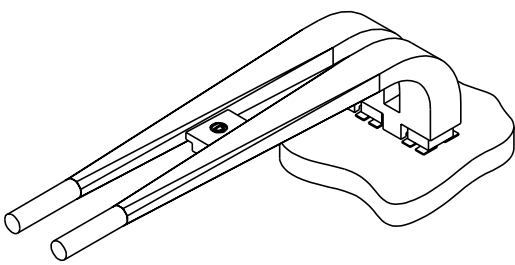
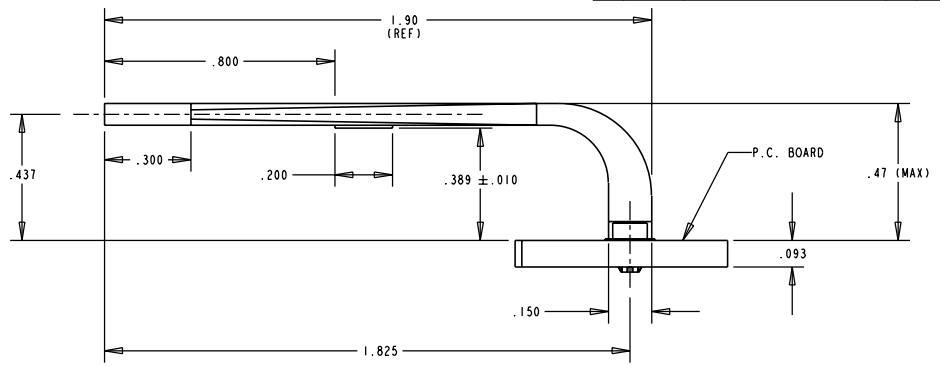
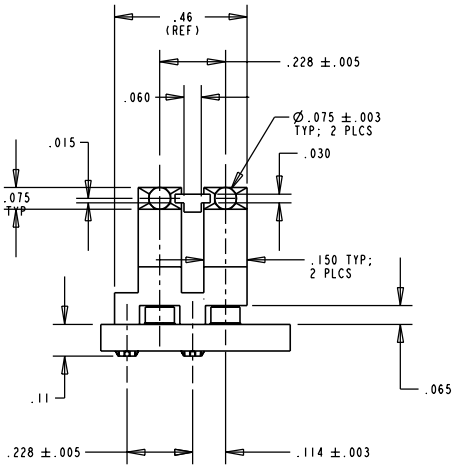
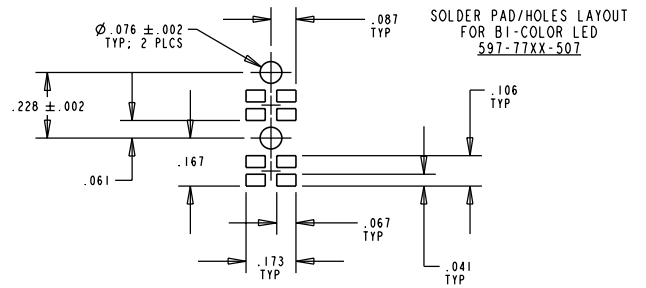
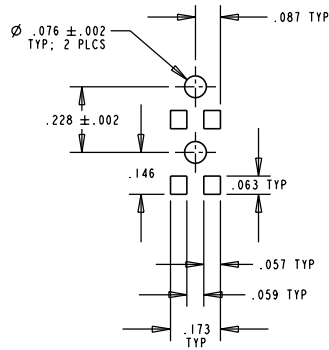


REV.	ECN NO.	REVISIONS	DRN.	CKD.	APP.	DATE
A		NEW RELEASE	MC	AV	N.O.	6-18-98
B		ADDED SINGLE COLOR LED PAD/HOLES LAYOUT AND DEFINED EXISTING PAD LAYOUT FOR BI-COLOR LEADS; REVISED NOTE 3 AND ADDED NOTE 4.	TC			



SOLDER PAD/HOLES LAYOUT
SINGLE COLOR LED
597-3X11-5XX



- NOTES:
- COMPONENT TO BE MOLDED IN A CLEAR TRANSMISSIVE POLYCARBONATE.
 - COMPONENT DESIGNED TO BE PRESSED INTO P.C. BOARD.
 - LIGHTSOURCE: RED/GREEN SMT BICOLOR LED (DIALIGHT P/N: 597-7701-5XX, Y/G 597-7721-507 OR SINGLE COLOR 597-3XXX-5XX).
 - DIALIGHT PART NUMBER: 515-1090.

THIS DRAWING AND THE CONTENTS HEREIN ARE CONFIDENTIAL AND THE SOLE PROPERTY OF DIALIGHT. REPRODUCTION OF THIS DRAWING OR CONSTRUCTION OF ANY PARTS WITHIN THIS DRAWING ARE FORBIDDEN WITHOUT THE WRITTEN CONSENT OF DIALIGHT.		
SCALE 3:1	DRAWING NUMBER	REV
ALL DIM'S IN: INCHES	C-16388	B
TOLERANCES: UNLESS OTHERWISE SPECIFIED	TITLE	
FRACTIONS: ±1/64	2-ELEMENT LIGHTPIPE	
DECIMALS (.XX): ±.02	MATERIAL	
DECIMALS (.XXX): ±.015	Dialight	
DECIMALS (.XXXX): ±.0005	1913 ATLANTIC AVE.	
ANGLES: ±°	MANASQUAN, N.J. 08736	
FINISH:	SHEET	OF
FSCM 83330	FAMILY TABLE:	