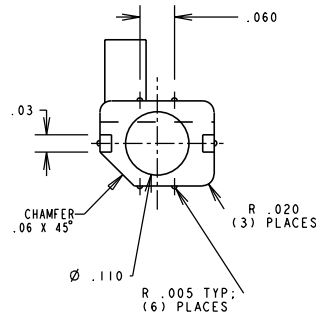
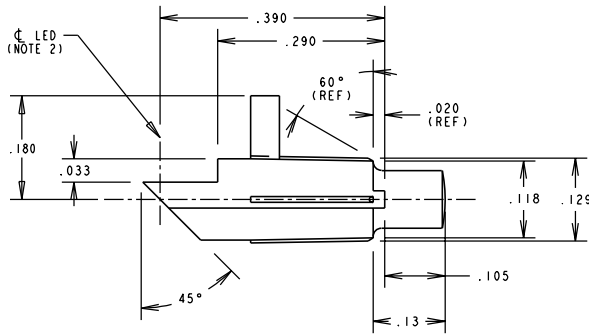
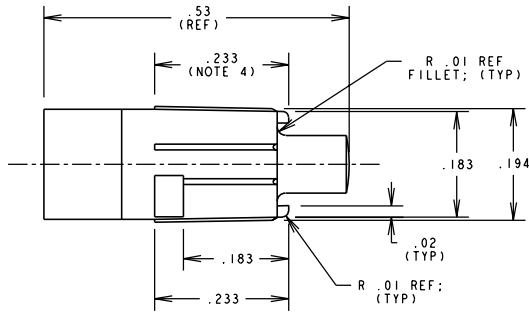


REV.	ECN NO.	REVISIONS	DRN.	CKD.	APP.	DATE
E		.033 WAS .040, R.01 WAS R.02, .129 WAS .144, AND .118 WAS .134.	M.C.		M.C.	10-6-94
F		.180 WAS .150 & ADDED NOTE 5.	M.C.			



- NOTES:
1. COMPONENT TO BE MOLDED IN A CLEAR TRANSMISSIVE POLYCARBONATE.
 2. RECOMMENDED POSITION OF LED.
 3. ALL OPTICAL SURFACES TO HAVE FINISH AS REQUIRED FOR OPTIMUM LIGHT TRANSMISSION.
 4. 1° TAPER (REF) ALL SURFACES INCLUDING RIBS (WITHIN THIS REGION ONLY).
 5. DIALIGHT LIGHTPIPE PART NUMBER: 515-1024.

THIS DRAWING AND THE CONTENTS HEREIN ARE CONFIDENTIAL AND THE SOLE PROPERTY OF DIALIGHT. REPRODUCTION OF THIS DRAWING OR CONSTRUCTION OF ANY PARTS WITHIN THIS DRAWING ARE FORBIDDEN WITHOUT THE WRITTEN CONSENT OF DIALIGHT.		
SCALE 6:1	DRAWING NUMBER	REV
ALL DIM'S IN: INCHES	C-15843	F
TOLERANCES: UNLESS OTHERWISE SPECIFIED	TITLE SINGLE-ELEMENT LIGHTPIPE	
FRACTIONS: ±1/64	MATERIAL	
DECIMALS (.XX): ±.01	FINISH:	
DECIMALS (.XXX): ±.007	Dialight	
DECIMALS (.XXXX): ±.0005	1913 ATLANTIC AVE.	
ANGLES: ±°	MANASQUAN, N. J. 08736	
FSCM 83330	SHEET OF	FAMILY TABLE: