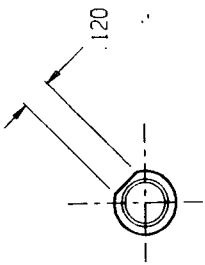
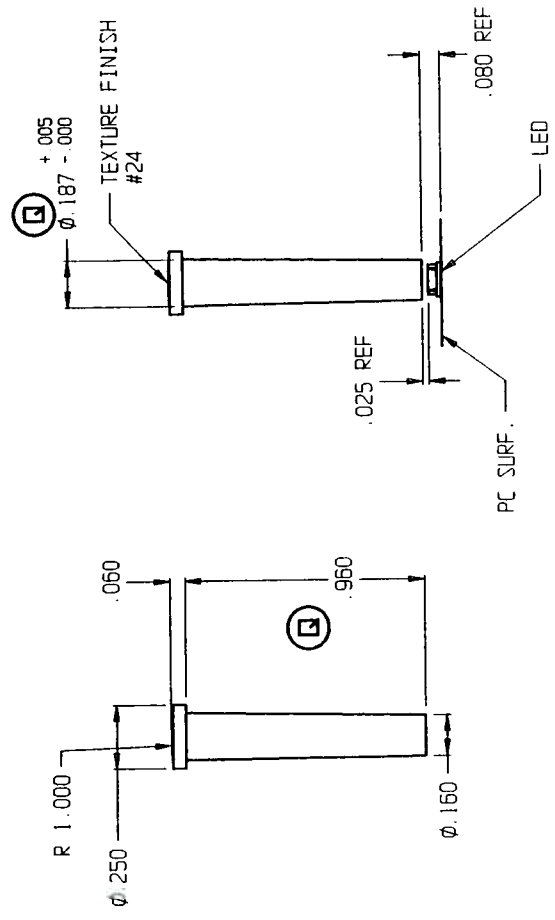


REV	ECR NO./DESCRIPTION	DATE
A	14214 NEW RELEASE	1/14/97
B	14265 HM DMT DET. X. .960 WAS .930	2/4/97
C	14302 HM CHANGED TO SALES DWG	2/12/97



NOTES:
 1. LIGHTPIPE TO BE MOLDED IN A CLEAR 94-V0 POLYCARBONATE.
 2. COMPONENT TO BE FREE OF IMPERFECTIONS WHICH WOULD INTERFERE WITH THE DESIGNED LIGHT OUTPUT.
 3. LED SHOWN FOR REFERENCE

FOR INSPECTION USE ONLY
 SPC DOCUMENTATION REQ. (X R CHARTS)

PART NO. -
 CODE NO. 7511A44
 MOLD NO.
 MATERIAL: SEE NOTE
 FINISH: NOTED
 TOLERANCE (UNLESS OTHERWISE SPECIFIED): DRAWN S WJ
 CHECKED NS 2-11-97
 ENG APPR. [Signature]
 INCHES .001 & .010
 ANGLE ± 1.000

INDUSTRIAL DEVICES INC. IDI
 A CHOCORU MINIATURE COMPANY
 265 RAILROAD AVE. HADDONSBACK, NJ 07601

SCALE 2 : 1

VERTICAL LIGHTPIPE

DATE 10 2000

REV C

B13463

THIS DWG IS THE PROPERTY OF INDUSTRIAL DEVICES, INC. AND IS PROPRIETARY IN GENERAL AND IN DETAIL. IT SHALL NOT BE COPIED OR ITS CONTENTS REVEALED TO OUTSIDE PARTIES WITHOUT THE WRITTEN CONSENT OF INDUSTRIAL DEVICES, INC.

DO NOT SCALE

ON SMU

SHEET -