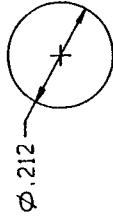


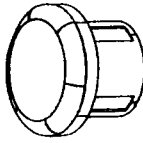
REV	ECR NO./DESCRIPTION	DATE
A	11781 NEW RELEASE	06/16/95
B	12010 PAP SALES DRAWING	08/17/95

MOUNTING HOLE PATTERN  
SCALE 4 : 1

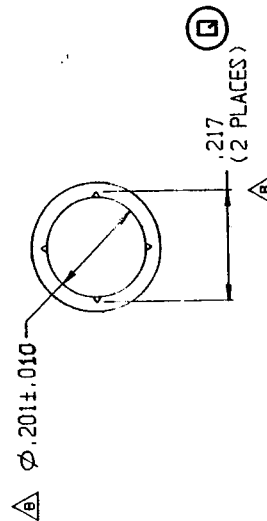
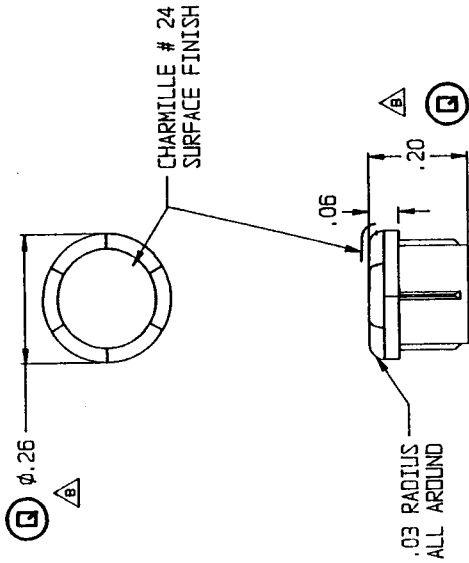


NOTES:

1. LED TYPE TBD.
2. MATERIAL: CLEAR POLYCARBONATE 94-V2.



ISOMETRIC VIEW  
FOR REFERENCE ONLY  
SCALE 4 : 1



THIS Dwg IS THE PROPERTY  
OF INDUSTRIAL DEVICES, INC.  
AND IS PROPRIETARY IN  
GENERAL AND IN DETAIL.  
IT SHALL NOT BE COPIED  
OR ITS CONTENTS REVEALED  
TO OUTSIDE PARTIES WITH-  
OUT THE WRITTEN CONSENT  
OF INDUSTRIAL DEVICES, INC.

DO NOT SCALE

<input type="checkbox"/> FOR INSPECTION USE ONLY <input checked="" type="checkbox"/> SPC DOCUMENTATION REQ. (X R CHARTS)		OCT 10 AM DIST. S
PART NO.	TITLE	
MODEL NO. 7511A1B	LIGHTPIPE FOR UNGERMAN-BASS	
MATERIAL	INDUSTRIAL DEVICES, INC. HACKENSACK, NEW JERSEY	
FINISH:	SCALE: 4 : 1	
TOLERANCE UNLESS OTHERWISE SPECIFIED:	DRAWN: M. VALZANIA	
FRACTION	CHECKED: <i>[Signature]</i> 8-23-95	
INCHES	ENG. APPROV: <i>[Signature]</i>	
ANGLE	REV B12777 B	

DWG NO.

SHEET