



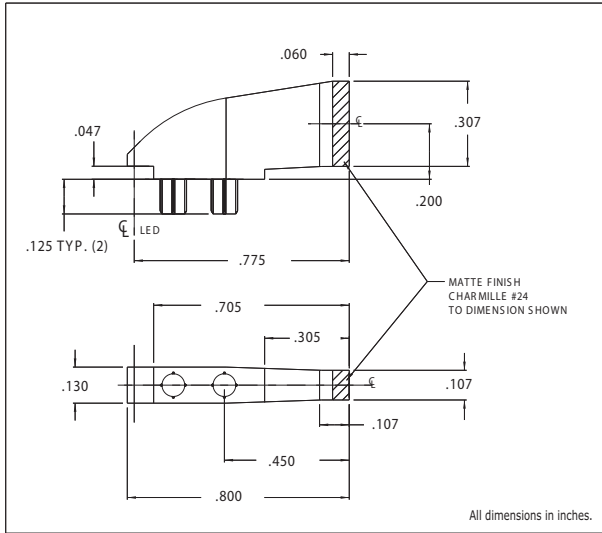
Chicago Miniature Lighting, LLC

Lighting the world since 1910

7610D2 Series 2.5 x 7.5 Bright ★Pipes™
Optical Lightpipes

7610D2 Series 2.5 x 7.5 Bright ★Pipes™ Optical Lightpipes

DESCRIPTION AND FEATURES



- Precision engineered with *ray tracing* for bright, optically precise even indication and attractive appearance.
- ESD protection from circuitry for exceptional reliability.
- Optimized for use with Bright ★Chips™ SMT LEDs.
- High contrast and wide viewing angle for greater visibility.
- Available in a variety of colors for added contrast and aesthetics.
- Parts inserted after reflow to permit LED pad inspection before assembly.
- Low profile for height constrained applications.
- Large 2.5 x 7.5 mm surface provides high visibility.
- Ideal for bar graph displays.
- 7610D2 is designed for use with 7012X Series Bright Chip LEDs.

Mounting hole pattern on page 1-X4.

147 Central Avenue
Hackensack, NJ 07601
Phone: (201) 489-8989
Fax: (201) 489-6911

18703 Dix Toledo Road
Brownstown, MI 48193

Saret Zone Franca, Edificio B
Alajuela Costa Rica

E-mail: sales@chml.com • Web Site: www.chml.com

Chicago Miniature Lighting, LLC reserves the right to make specification revisions that enhance the design and/or performance of the product