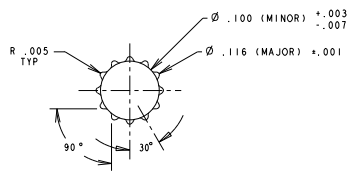
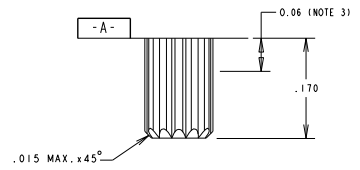
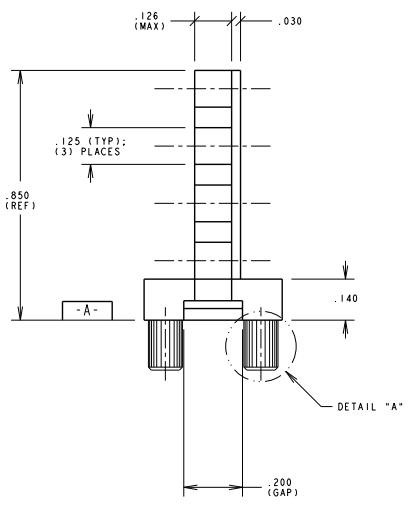
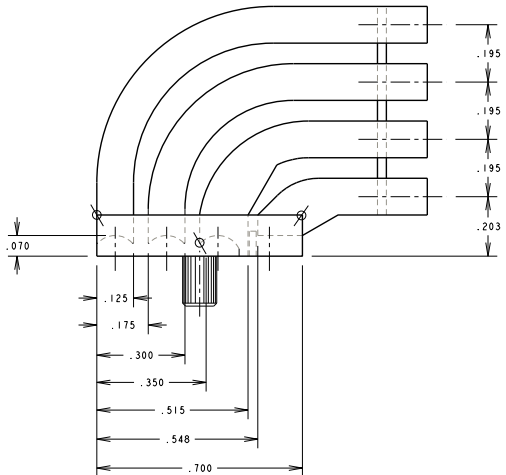


RECOMMENDED SOLDER PAD LAYOUT

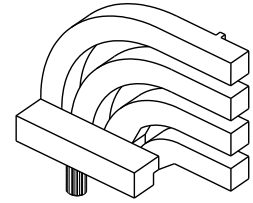
REV.	ECN NO.	REVISIONS	DRN.	CKD.	APP.	DATE
D		.126/.123 WAS .126(MAX); RE-DIMENSIONED "FLANGE TO PIPE EDGES RELATIONSHIP" FROM TOP CORNERS; ADDED MOLDING DRAFT (BOTH SIDES); .250 WAS .252; .215 WAS .214; DELETED R .450 SPHERICAL RADII.			MC	M.C. 12-17-93
E		ADDED HOLE DIMS IN PAD LAYOUT; NOTE 3; AND .06 (NOTE 3) AND Ø .116 ± .001 WAS Ø .115 ± .001			MC	L.R. 8-27-96
F		ADDED CHANNELS FOR SHIELD INSERT.			TC DC	A.V. 2-15-99



DETAIL "A"



DETAIL "A"



- NOTES:
- COMPONENT TO BE MOLDED IN A WATER CLEAR TRANSMISSIVE POLYCARBONATE.
  - RECOMMENDED PLACEMENT OF LED.
  - Ø .116 ± .001 TO BE MAINTAINED FROM SURFACE -A- TO .06.
  - DIALIGHT PART NO. 515-1023

THIS DRAWING AND THE CONTENTS HEREIN ARE CONFIDENTIAL AND THE SOLE PROPERTY OF DIALIGHT. REPRODUCTION OF THIS DRAWING OR CONSTRUCTION OF ANY PARTS WITHIN THIS DRAWING ARE FORBIDDEN WITHOUT THE WRITTEN CONSENT OF DIALIGHT.			
SCALE: 4:1	DRAWING NUMBER	REV	
ALL DIM'S IN: INCHES (UNLESS OTHERWISE SPECIFIED)	C-15820		
FRACTIONS: 1/16, 1/8, 1/4	TITLE	QUADLEVEL LIGHTPIPE	
DECIMALS: 1.000; 0.01	MATERIAL		
ANGLES: 30°	FINISH:	Dialight	
FSCM 83330	SHEET OF	1501 ROUTE 34 SOUTH FARMINGDALE, NJ 07727	
		FAMILY TABLES:	