

FRONT PANEL NOT SHOWN IN FRONT VIEW

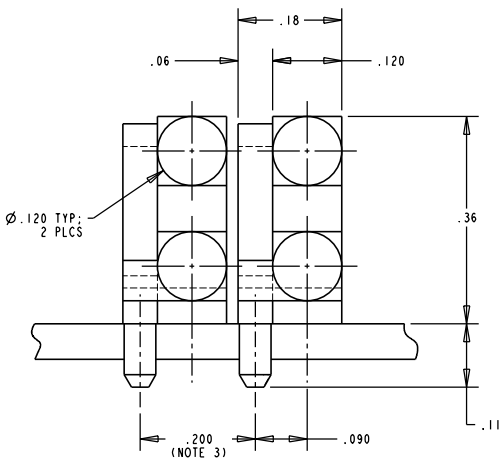


FIGURE (A)
(USING SINGLE COLOR SMT LEADS;
DIALIGHT SERIES P/N: 597-3XXX-507)

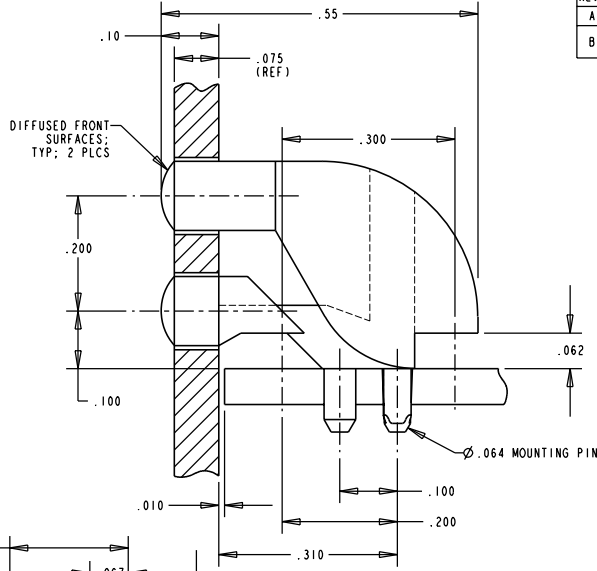
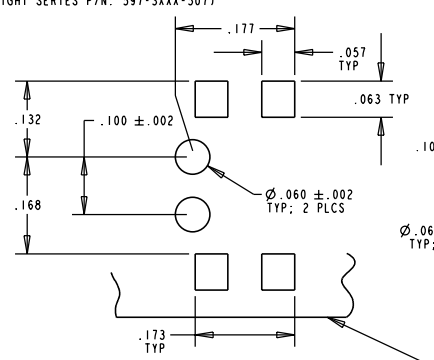
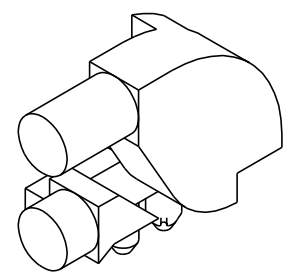


FIGURE (B)
(USING BI-COLOR SMT LEADS;
DIALIGHT SERIES P/N: 597-7XXX-507)

- NOTES:
1. COMPONENT TO BE MOLDED IN A CLEAR TRANSMISSIVE POLYCARBONATE.
 2. COMPONENT DESIGNED TO BE PRESSED INTO P.C. BOARD.
 3. MINIMUM ALLOWABLE PITCH IS .200 FOR EITHER BI-COLOR OR SINGLE.
 4. LIGHTSOURCES: SINGLE OR BI-COLOR SMT LEADS (DIALIGHT SERIES P/N'S: 597-3XXX-507 OR 597-7XXX-507)
 5. DIALIGHT LIGHTPIPE PART NUMBER: 515-1061.

REV.	ECN NO.	REVISIONS	DRN.	CKD.	APP.	DATE
A		NEW RELEASE	M.C.		N.O.	9-11-97
B		Ø.060 ± .002 WAS Ø.060 AND ADDED NOTES 4 & 5.	M.C.			



THIS DRAWING AND THE CONTENTS HEREIN ARE CONFIDENTIAL AND THE SOLE PROPERTY OF DIALIGHT. REPRODUCTION OF THIS DRAWING OR CONSTRUCTION OF ANY PARTS WITHIN THIS DRAWING ARE FORBIDDEN WITHOUT THE WRITTEN CONSENT OF DIALIGHT.		
SCALE: 6:1	DRAWING NUMBER	REV
ALL DIM'S IN: INCHES	C-16276	B
TOLERANCES: UNLESS OTHERWISE SPECIFIED	TITLE	
FRACTIONS: ±1/64	BI-LEVEL LIGHTPIPE	
DECIMALS (.XX): ±.02	MATERIAL	
DECIMALS (.XXX): ±.015	Dialight	
DECIMALS (.XXXX): ±.0005	1913 ATLANTIC AVE.	
ANGLES: ±3°	MANASQUAN, N.J. 08736	
FINISH:	FSCM 83330	SHEET OF FAMILY TABLE: