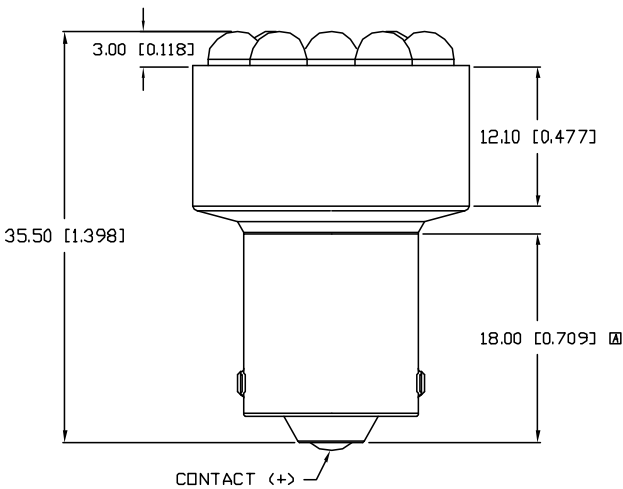
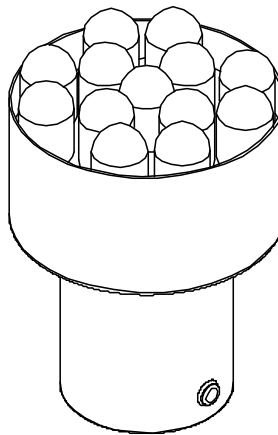
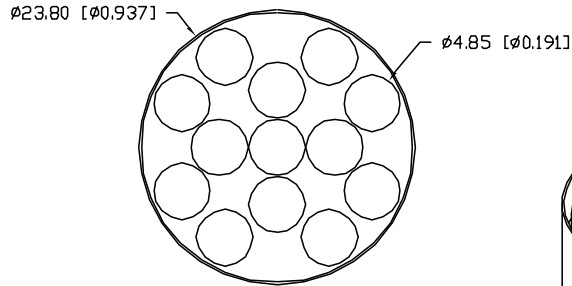


UNCONTROLLED DOCUMENT



PART NUMBER		REV.
SSP-13MB156U12G		B
REV.	E.C.N. NUMBER AND REVISION COMMENTS	DATE
A	E.C.N. #10950.	1.28.03
B	E.C.N. #11148.	11.30.06

ELECTRO-OPTICAL CHARACTERISTICS $T_A=25^{\circ}\text{C}$ $V_f=12\text{V}$				
PARAMETER	MIN	TYP	MAX	UNITS TEST COND
PEAK WAVELENGTH		626		nm
FORWARD VOLTAGE		12.0		Vf
REVERSE VOLTAGE	5.0			Vr $I_f=100\mu\text{A}$
AXIAL INTENSITY		55500		med Vf=12V
VIEWING ANGLE		30		2x theta
EMITTED COLOR:	RED			
EPOXY LENS FINISH:	WATER CLEAR			


LIMITS OF SAFE OPERATION AT 25°C

PARAMETER	MAX	UNITS
PEAK FORWARD VOLTAGE	14.0	V
STEADY CURRENT	90	mA
POWER DISSIPATION	1,260	mW
DERATE FROM 25°C	-1.2	mW/°C
OPERATING, STORAGE TEMP.	-40 TO +85	°C



UNCONTROLLED DOCUMENT

*UNLESS OTHERWISE SPECIFIED TOLERANCES PER DECIMAL PRECISION ARE: X=±1 (±0.030), X.X=±0.5 (±0.020), X.XX=±0.25 (±0.010), X.XXX=±0.127 (±0.005). LEAD SIZE=±0.05 (±0.002), LEAD LENGTH=±0.75 (±0.030). MIN-^{+DECIMAL PRECISION} MAX-^{-DECIMAL PRECISION} 0.00

REV. B	PART NUMBER SSP-13MB156U12G	<p>CONFIDENTIAL INFORMATION</p> <p>THE INFORMATION CONTAINED IN THIS DOCUMENT IS THE PROPERTY OF SUNBRITE LEDS. EXCEPT AS SPECIFICALLY AUTHORIZED IN WRITING BY SUNBRITE LEDS, THE HOLDER OF THIS DOCUMENT SHALL KEEP ALL INFORMATION CONTAINED HEREIN CONFIDENTIAL AND SHALL PROTECT SAME IN WHOLE OR IN PART FROM DISCLOSURE AND DISSEMINATION TO ALL THIRD PARTIES.</p> <p>RELIABILITY NOTE</p> <p>OUR MANY YEARS OF EXPERIENCE DATA ACCUMULATION INDICATE THAT SOLDER HEAT IS A MAJOR CAUSE OF EARLY AND FUTURE FAILURE. PLEASE PAY ATTENTION TO YOUR SOLDERING PROCESS.</p>	 <p>286 E. HELEN ROAD PALATINE, IL 60067-6976 PHONE: +1.847.359.2790 FAX: +1.847.359.2867 WEB: www.sunbriteleds.com</p>
0.94" CIRCULAR, 13 RED LAMP POLYLED, BA15 BASE, SINGLE CONTACT AUTO BAYONET.		DRAWN: JC	CHECKED: []
		APPROVED: []	DATE: 11.30.06 PAGE: 1 OF 1