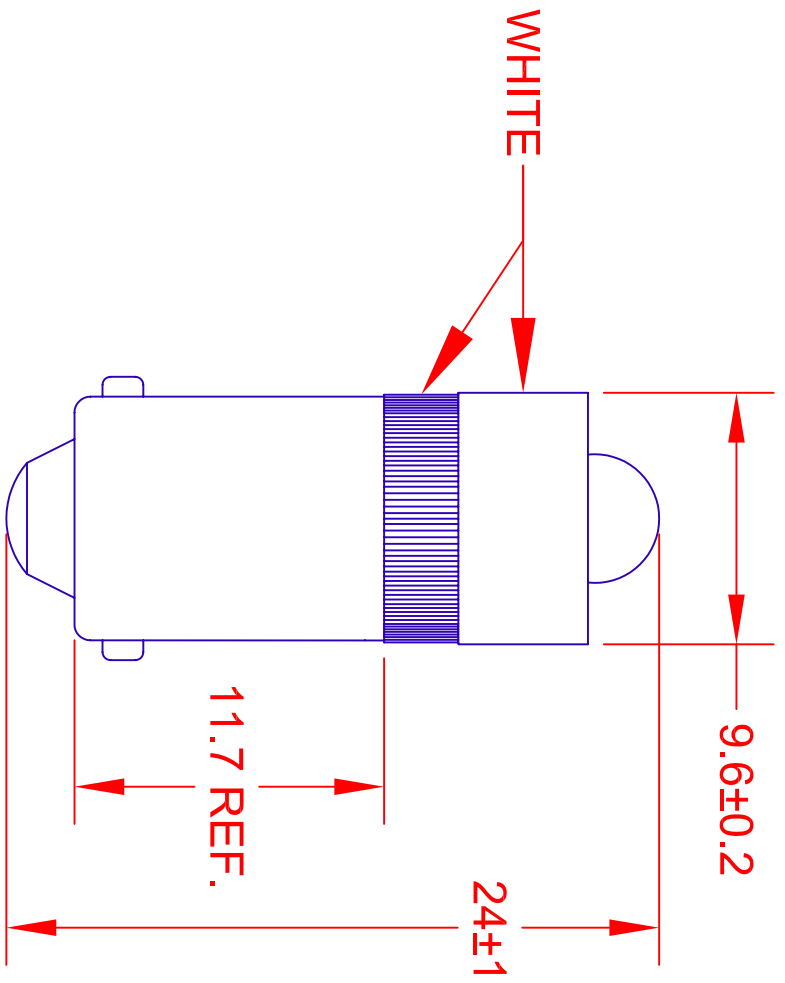


REV.	DESCRIPTION/ECO NO.	DATE
	RELEASE & CANCEL PL-0606-01	7/20/06



ELECTRICAL OPTICAL CHARACTERISTICS

JKL PART #	COLOR	AC/DC VOLTS	AMPS (mA)	LUMINOUS INTENSITY (mcd)	PEAK WAVELENGTH (nm)	50% POWER ANGLE (deg.)
LE-BA9S-6W	WHITE	6	20 (MAX.)	MIN 10,000 TYP. 13,000	464	30

		METRIC DIMENSIONS ARE IN MILLIMETERS TOLERANCE UNLESS OTHERWISE SPECIFIED 1 PL +/- 0.2 2 PL +/- 0.20 ANGLE +/- 0	
DRAWN BY L. WENGSTROM		APPVD BY L.R.	
DATE 7/20/06		DATE 7/20/06	
SCALE A		FSCM NO. 55335	
TITLE 6V BAYONET BASED LED		DRAWING NO. LE-BA9S-6W	
- CAD DRAWING - MANUAL REVISIONS NOT PERMITTED		RELEASED DATE 7/20/06	
REVISION DATE		REV. NO.	
SHEET 1 OF 1		REV. NO.	

JKL COMPONENTS CORPORATION