



LINKLED RGB EDGE-LIT LED LIGHT ENGINE



FEATURES / BENEFITS

- ▲ Extremely long life of 50,000 hours at 55°C PCB temperature
- ▲ Modular “Plug & Play” system for flexible design in curved or unusually shaped areas.
- ▲ Red, blue and green LEDs allow for infinite number of colors (RGB controller/driver required)
- ▲ Aluminum based PCB for easier heat dissipation and more efficient operation
- ▲ Available Color Kinetics pass through license, consult factory for details

OPERATING CONDITIONS

- ▲ Recommended PCB temp=55°C (131°F)
Maximum PCB temp = 105°C (221°F)
- ▲ LED Life @ 55°C PCB temp = 50,000 hours
- ▲ For maximum performance, all “LinkLED” LED Light Engines should be adhered to an appropriate heat sink using adhesive backing (provided)
- ▲ Recommended drivers = Color driver DMX, Color driver RF, or Color driver SL
- ▲ Thermal conductivity = 1.3W/m-k
- ▲ Breakdown voltage = 2kV

MECHANICAL DIMENSIONS

Length = 32mm (1.26")
 Width = 28mm (1.10")
 Height = 8.6mm (0.34")

APPLICATIONS

- ▲ Retail and lighting
- ▲ Point of sale lighting
- ▲ Back lighting
- ▲ Illuminated shelving
- ▲ Signage display
- ▲ Advertising
- ▲ Any application requiring dynamic color changing, efficiency, and long life to illuminate edge-lit glass and acrylics.

MATERIALS/FINISH

- ▲ LUXEON® I LEDs
- ▲ 1.6mm Aluminum clad PCB substrate

PART NUMBERS

Part Number
LK3-EL-RGB

Recommended Cables:
 CT4-100 = 4 way link lead 100mm (3.9")
 CT4-200 = 4 way link lead 200mm (7.9")
 CT4-C = 4 way common connector
 CDL-M3M = 8 way Molex, male to male
 CT4-MLXF = 4 way connect to 8 way Molex

Dialight reserves the right to make changes at any time in order to supply the best product possible.

Dialight Corporation

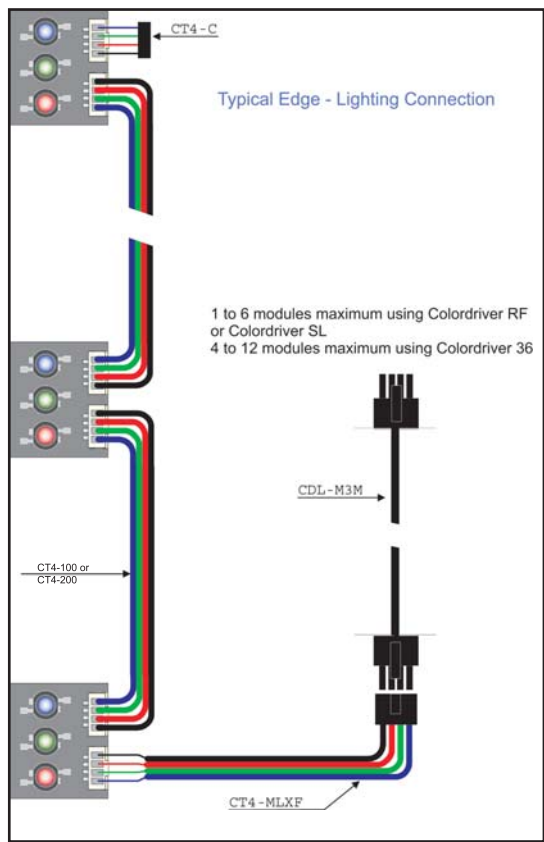
1501 Route 34 South • Farmingdale, NJ 07727 USA

Tel: (1) 732-919-3119 • Fax: (1) 732-751-5778 • www.dialight.com



MDEXLKLDRGBEL_E

WIRING INFORMATION



TYPICAL LED PHOTOMETRIC DATA

LED	Color	Forward Voltage (Typ)	Max. Current (mA)	Max. Power (Watts)	Dom Wavelength / CCT			Min Luminous Flux (lm) / Radiometric Power (mW)	Typ Luminous Flux (lm) / Radiometric Power (mW)
					Min	Typ	Max		
	Red	2.95	350	1.03	620.5 nm	627 nm	645 nm	30.6 lm	44 lm
	Green	3.42	350	1.20	520 nm	530 nm	550 nm	30.6 lm	53 lm
	Royal Blue	3.42	350	1.20	440 nm	455 nm	460 nm	145 mW	220 mW

Maximum current input 350mA
Maximum power consumption 1.2W per LED for White / Blue / Green / Warm White 1.0W per LED for Red / Amber.

Results are LED manufacturer's test data @ 25°C JTC. Light output at 55°C PCB temperature will be approximately 15-20% lower. Elevated temperatures will result in further degradation of light output. For maximum performance use appropriate heat sinking.

Dialight reserves the right to make changes at any time in order to supply the best product possible.

Dialight Corporation

1501 Route 34 South • Farmingdale, NJ 07727 USA

Tel: (1) 732-919-3119 • Fax: (1) 732-751-5778 • www.dialight.com

