



PRODUCT NEWS

Triple 1W type

■ Product outline

This is a compact LED module on which three 1W-type LEDs are mounted. It has heat-dissipating fins, eliminating the need for troublesome heat dissipation design.

■ Feature

- Incl. heat dissipation fins and low profile compact design
- High color rendering: Ra=90 (TYP)
- Color variation and Lens variation: 4kinds in total
- New designs available by making use of rays filtering through

■ Applications

- Down light, shelf light
- Showcase illumination
- Upper light, table light
- Bracket light, architectural light, etc.



【Product lineup】

Part number	LED color	Angle	Watts	CRI	Lumen	Dimensions	
TRN1331S	White 5000K	30°	3.5 W (10V-350mA)	Ra:90(typ)	73lm	Φ53.9 × H26.7	
TRN1361S		60°					
TRW1331S	Warm White 3300K	30°					
TRW1361S		60°					
TRP1331S	Pure White 4200K	30°	3.4 W (11V-300mA)	Ra:90(typ)	146lm		
TRP1361S		60°					
TRC1331S	Cool White 6300K	30°			Ra:70(typ)		206lm
TRC1361S		60°					

【Applied products】



Down light

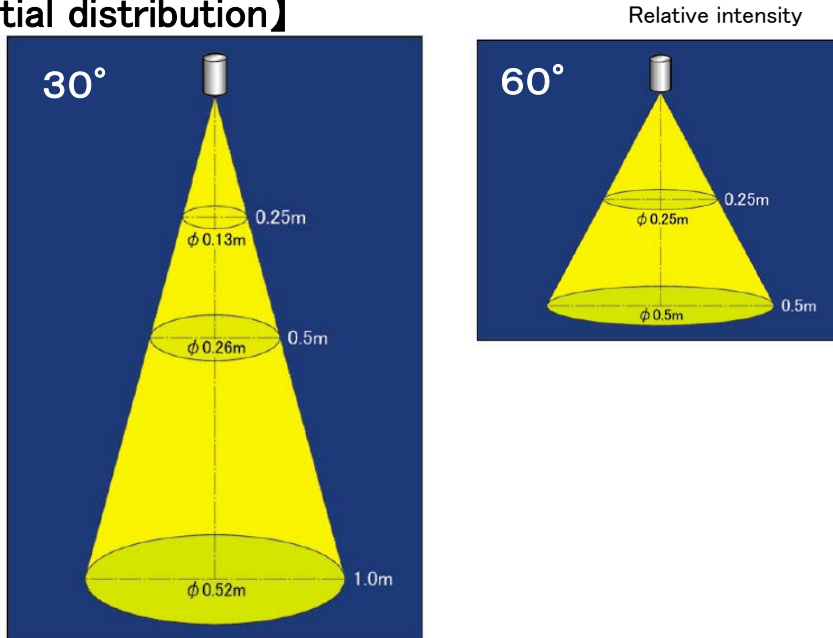


Shelf light

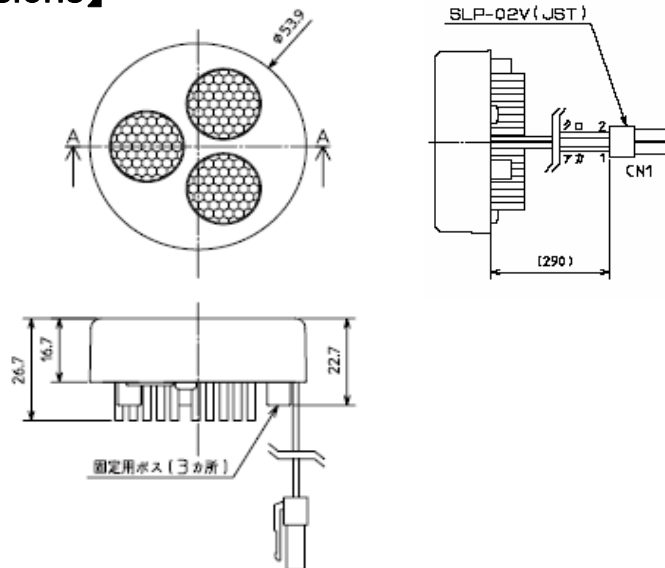
【Absolute maximum ratings】

Items	Absolute maximum ratings
Forward current	500mA ($T_a \leq 40^\circ\text{C}$)
Operating Temp.	$-30^\circ\text{C} \sim +50^\circ\text{C}$
Storage Temp.	$-40^\circ\text{C} \sim +60^\circ\text{C}$

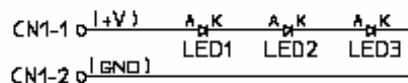
【Spatial distribution】



【Outer dimensions】



【Circuit diagram and connections】



Circuit diagram

Connecting to constant current circuit

