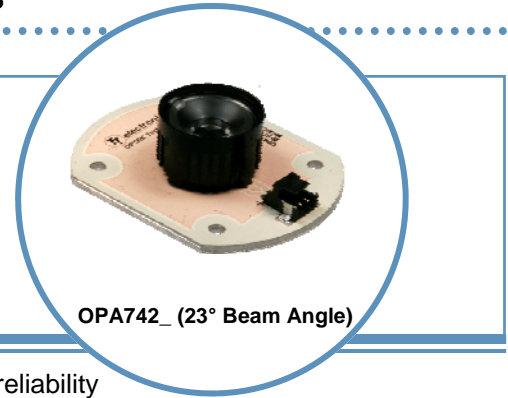


OPA742 Series

1 Watt Light Spot on OptoTherm Linear Heat Spreader with Lens

OPA742 Series

- 1 watt LED on round substrate
- Mono-color per strip (Blue, Green, Red, Yellow, White)
- Component beam angle option 23°
- Universal connector (Tyco 2-292173-2 mates with 173977-2)
- RoHS Compliant

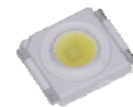
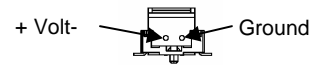
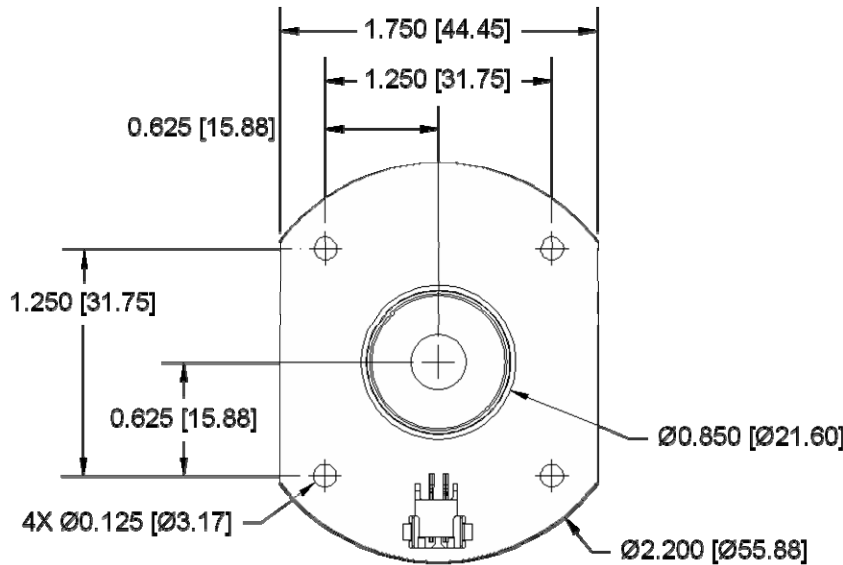


The **OPA742** Series are designed for areas where lighting intensity and reliability are essential. The light beam angle of 23° is ideal for illuminating areas close or a long distances from the device while requiring minimal space. A High Performance Heat Spreader (HPHS) is used to ensure the best heat dissipation of any light assembly in the industry.

For custom colors and design contact your OPTEK representative.

Electrical / Optical Characteristics: $T_A=25^\circ\text{C}$, $I_F=350\text{mA}$

Part Number	Typical Forward Voltage (V)	Luminous Flux (lm)	Beam Angle	Color	Dominant Wavelength
OPA742Y23	2.5	22	23°	Yellow	587 nm
OPA742B23	3.6	8		Blue	470 nm
OPA742G23	3.6	41		Green	530 nm
OPA742R23	2.5	30		Red	625 nm
OPA742W23	3.6	41		White	6,500°K

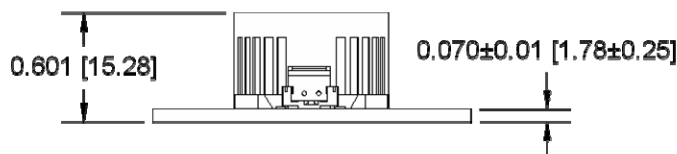


OPA742_

See OVSP_BCR4 for component specifications



RoHS



DO NOT LOOK DIRECTLY AT LED WITH UNSHIELDED EYES OR DAMAGE TO RETINA MAY OCCUR.

OPTEK reserves the right to make changes at any time in order to improve design and to supply the best product possible.