



ENFIS QUATTRO Mini Array UVA 375nm

The latest in ultra bright, chip on board, LED lattice arrays.
Compact, single colour spot source.

Features

Mounted array for simple incorporation

- Array mounted on connectorized PCB
- Drop-in capability into existing luminaires
- Incorporating thermal measurement device
- Designed for passive or active cooling

Densely packed lattice CoB array

- 576 LEDs in 4cm²
- Superior dynamic range
- Ultra bright output

High power useable light

- Drive to 100W
 - Potential for pulsing together with analogue and PWM dimming
- ### Rugged and proven
- Superior >20,000 hour lifetime
 - Reliable and repeatable performance operated in the harshest of environments

Inbuilt monitoring / control

- Potential for active monitoring and closed loop feedback and control of light output using integrated and calibrated photodiodes
- Inbuilt capability for temperature monitoring control and protection via integrated temperature sensors

PCB Arrays

Enfis can reduce the time, cost and risk of integration by offering purpose mounted ultra-bright multi-channel/colour arrays. These can be readily driven by appropriate drivers.

Smart Array Technology

Light output from Enfis Quattro-Mini arrays may be monitored and controlled via patent-pending integrated photo-detection system, enabling precise control and repeatable light output.

Thermal Management

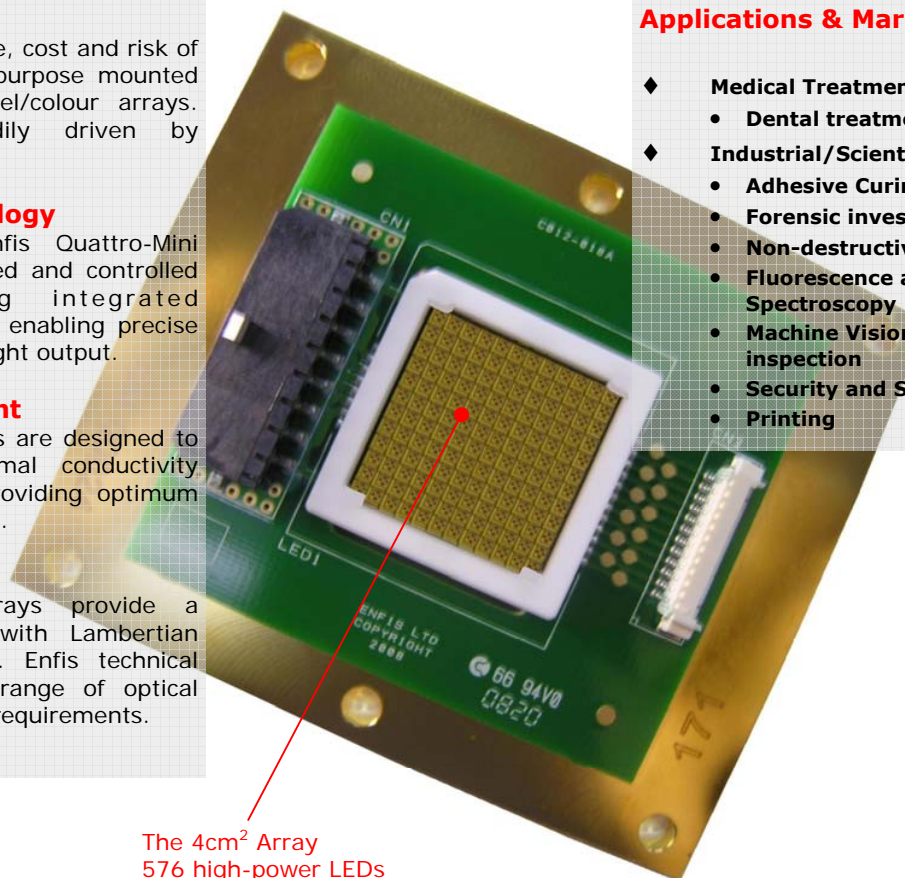
Enfis Quattro-Mini arrays are designed to provide excellent thermal conductivity and integrate simply providing optimum performance and lifetime.

Optics

Enfis Quattro-Mini arrays provide a compact spot source with Lambertian emission characteristics. Enfis technical experts can advise a range of optical solutions to match your requirements.

Applications & Markets

- ◆ **Medical Treatment**
 - Dental treatment
- ◆ **Industrial/Scientific lighting**
 - Adhesive Curing
 - Forensic investigation
 - Non-destructive testing
 - Fluorescence and Spectroscopy
 - Machine Vision and inspection
 - Security and Surveillance
 - Printing



The 4cm² Array
576 high-power LEDs

ENFIS LIMITED
Technium 2, Kings Road,
Swansea Waterfront,
Swansea, SA18PJ, UK
Tel +44 (0)1792 485660
Fax +44 (0)1792 485537
www.enfis.com
info@enfis.com



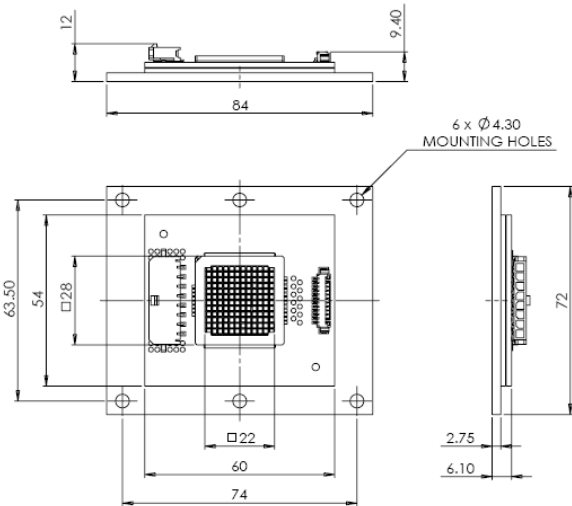


ENFIS QUATTRO Mini Array UVA 375nm

Technical Specification

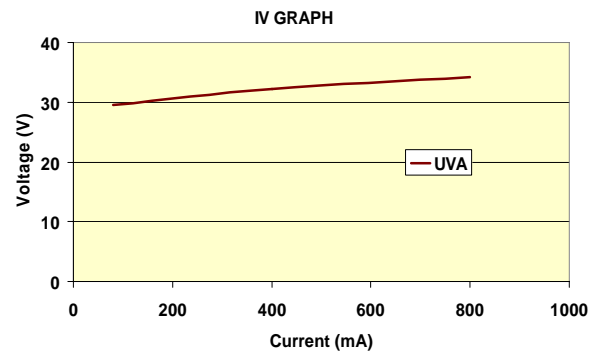
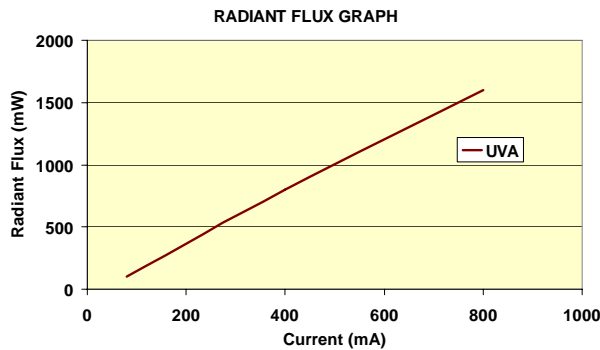
Electro-Optical Characteristics

Channel	Single Channel			All Channels		
	Min	Typ	Max	Min	Typ	Max
Rated Current If (mA)		750			3000	
Forward Voltage Vf (Volts)	29	34	38	29	34	38
Peak Wavelength λp (nm)	370	375	380	370	375	380
Spectral Width Δλ (nm)	8	12	20	8	12	20
Total Radiant Flux ΦR (mW)	1200	1500		4000	5000	
Radiant Flux Density ΦR/A (mW/cm ²)	248	310		826	1033	
Total Electrical Power P (W)		25			100	



All measurements performed at a heatsink temperature of 25°C

Single Channel Data



Storage Regime

Storage Temperature -20°C to +85°C

Weight

Array 0.2kg

Heat Generation

Proper thermal design of the end product is of paramount importance. The operational junction temperature of each LED chip should be kept below 125°C.

Please contact Enfis for further support in this matter.

Connector Types (not supplied)

Drive Molex 0436500812
Thermistor / Feedback Molex 532611271

Cleaning

Avoid touching the LED array surface.
To clean—BLOW surface with either dry air or nitrogen gas

Eye Safety Precautions

The light output of the products may cause injuries to human eyes in circumstances where the products are viewed directly with unshielded eyes for more than a few seconds.

Please refer to IEC 60825-1:2001 for further information



ENFIS LIMITED
Technium 2, Kings Road,
Swansea Waterfront,
Swansea, SA18PJ, UK
Tel +44 (0)1792 485660
Fax +44 (0)1792 485537
www.enfis.com
info@enfis.com

