



ENFIS QUATTRO Mini Array Neutral White

The latest in ultra bright, chip on board, LED lattice arrays.
Compact, neutral white spot source.

Features

Mounted array for simple incorporation

- Array mounted on connectorized PCB
- Drop-in capability into existing luminaires
- Incorporating thermal measurement device
- Designed for passive or active cooling

Densely packed lattice CoB array

- 144 LEDs in 4cm²
- Superior dynamic range
- Ultra bright output

High power useable light

- Drive to 200W
 - Potential for pulsing together with analogue and PWM dimming
- ### Rugged and proven
- Superior >20,000 hour lifetime
 - Reliable and repeatable performance operated in the harshest of environments

Inbuilt monitoring / control

- Potential for active monitoring and closed loop feedback and control of light output using integrated and calibrated photodiodes
- Inbuilt capability for temperature monitoring control and protection via integrated temperature sensors

PCB Arrays

Enfis can reduce the time, cost and risk of integration by offering purpose mounted ultra-bright multi-channel/colour arrays. These can be readily driven by appropriate drivers.

Smart Array Technology

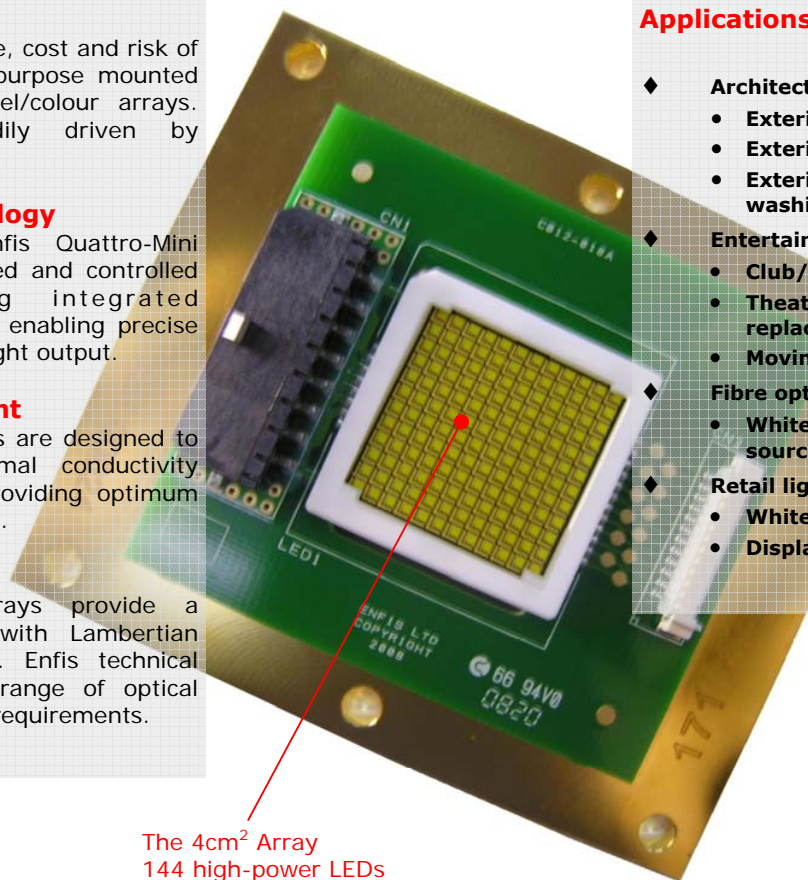
Light output from Enfis Quattro-Mini arrays may be monitored and controlled via patent-pending integrated photo-detection system, enabling precise control and repeatable light output.

Thermal Management

Enfis Quattro-Mini arrays are designed to provide excellent thermal conductivity and integrate simply providing optimum performance and lifetime.

Optics

Enfis Quattro-Mini arrays provide a compact spot source with Lambertian emission characteristics. Enfis technical experts can advise a range of optical solutions to match your requirements.



The 4cm² Array
144 high-power LEDs

Applications & Markets

- ◆ **Architectural lighting**
 - Exterior buried spotlights
 - Exterior floodlights
 - Exterior/interior wall-washing
- ◆ **Entertainment lighting**
 - Club/bar lighting
 - Theatre spot gel replacement
 - Moving spots
- ◆ **Fibre optic lighting**
 - White illuminator light sources
- ◆ **Retail lighting**
 - White spot lights
 - Display lighting

ENFIS LIMITED
Technium 2, Kings Road,
Swansea Waterfront,
Swansea, SA18PJ, UK
Tel +44 (0)1792 485660
Fax +44 (0)1792 485537
www.enfis.com
info@enfis.com



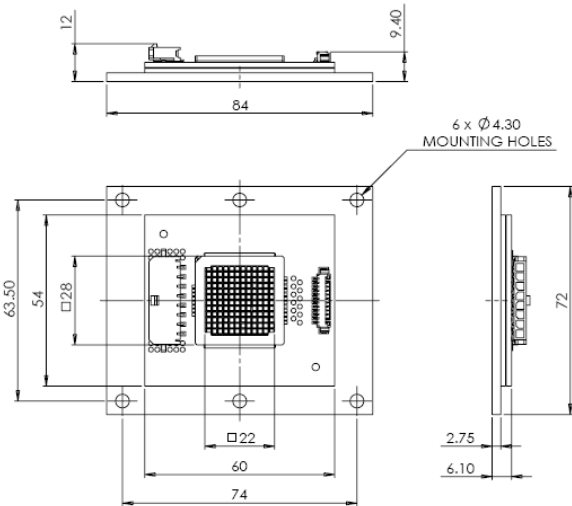


ENFIS QUATTRO Mini Array Neutral White

Technical Specification

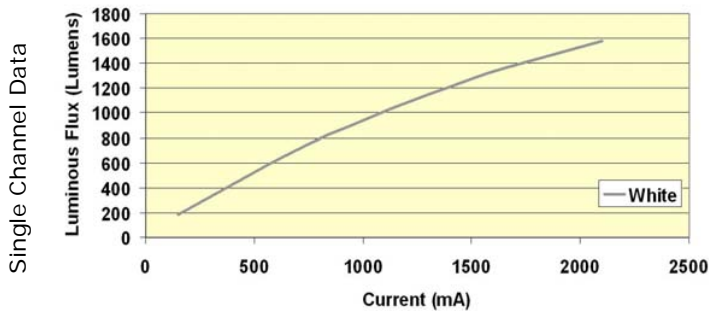
Electro-Optical Characteristics

Channel	Single Channel			All Channels		
	Min	Typ	Max	Min	Typ	Max
Rated Current If (mA)		1600			6400	
Forward Voltage Vf (Volts)	27	31	35	27	31	35
Colour Temperature CCT (K)	3900	4250	4600	3900	4250	4600
Total Luminous Flux ΦL (Lumens)	1170	1400		4200	5000	
Luminous Flux Density ΦL/A (lm/cm ²)	242	289		868	1033	
Total Electrical Power P (W)		50			200	

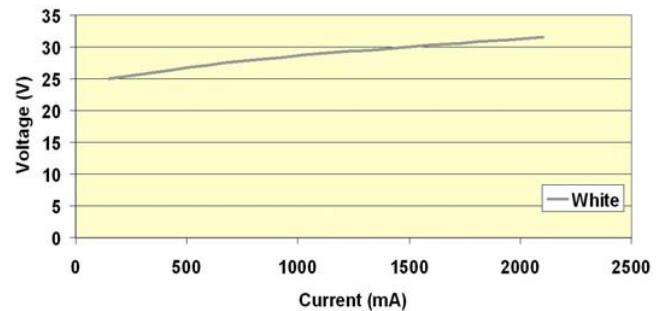


All measurements performed at a heatsink temperature of 25°C

LUMINOUS FLUX GRAPH



IV GRAPH



Operating / Storage Regime

Operating Temperature -10°C to +45°C

Storage Temperature -20°C to +85°C

Weight

Array 0.2kg

Heat Generation

Proper thermal design of the end product is of paramount importance. The operational junction temperature of each LED chip should be kept below 125°C.

Please contact Enfis for further support in this matter.

Connector Types (not supplied)

Drive Molex 0436500812

Thermistor / Feedback Molex 532611271

Cleaning

Avoid touching the LED array surface.

To clean—BLOW surface with either dry air or nitrogen gas

Eye Safety Precautions

The light output of the products may cause injuries to human eyes in circumstances where the products are viewed directly with unshielded eyes for more than a few seconds.

Please refer to IEC 60825-1:2001 for further information



ENFIS LIMITED
Technium 2, Kings Road,
Swansea Waterfront,
Swansea, SA18PJ, UK
Tel +44 (0)1792 485660
Fax +44 (0)1792 485537
www.enfis.com
info@enfis.com

