



ENFIS QUATTRO Mini Array Blue 465nm

The latest in ultra bright, chip on board, LED lattice arrays.
Compact, single colour spot source.

Features

Mounted array for simple incorporation

- Array mounted on connectorized PCB
- Drop-in capability into existing luminaires
- Incorporating thermal measurement device
- Designed for passive or active cooling

Densely packed lattice CoB array

- 144 LEDs in 4cm²
- Superior dynamic range
- Ultra bright output

High power useable light

- Drive to 200W
 - Potential for pulsing together with analogue and PWM dimming
- ### Rugged and proven
- Superior >20,000 hour lifetime
 - Reliable and repeatable performance operated in the harshest of environments

Inbuilt monitoring / control

- Potential for active monitoring and closed loop feedback and control of light output using integrated and calibrated photodiodes
- Inbuilt capability for temperature monitoring control and protection via integrated temperature sensors

PCB Arrays

Enfis can reduce the time, cost and risk of integration by offering purpose mounted ultra-bright multi-channel/colour arrays. These can be readily driven by appropriate drivers.

Smart Array Technology

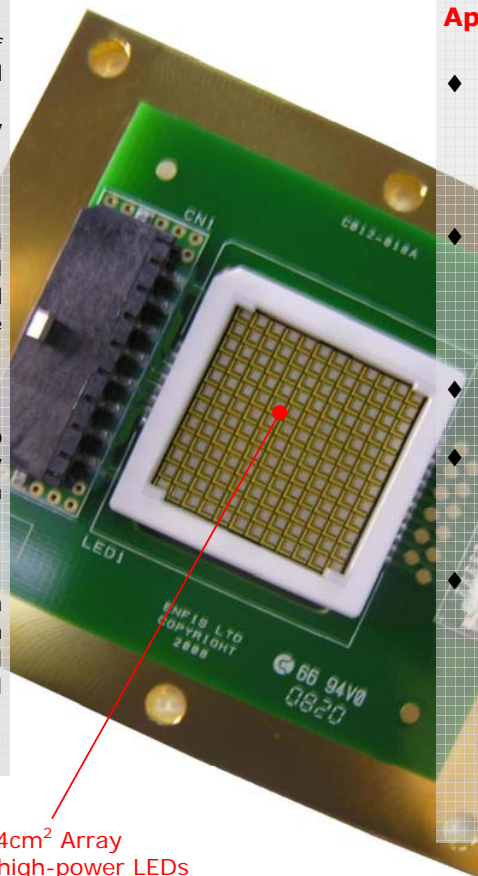
Light output from Enfis Quattro-Mini arrays may be monitored and controlled via patent-pending integrated photo-detection system, enabling precise control and repeatable light output.

Thermal Management

Enfis Quattro-Mini arrays are designed to provide excellent thermal conductivity and integrate simply providing optimum performance and lifetime.

Optics

Enfis Quattro-Mini arrays provide a compact spot source with Lambertian emission characteristics. Enfis technical experts can advise a range of optical solutions to match your requirements.



The 4cm² Array
144 high-power LEDs

Applications & Markets

- ◆ **Architectural lighting**
 - Exterior buried spotlights
 - Exterior floodlights
 - Exterior/interior wall-washing
- ◆ **Entertainment lighting**
 - Club/bar lighting
 - Theatre spot gel replacement
 - Moving spots
- ◆ **Fibre optic lighting**
 - Illuminator light sources
- ◆ **Medical Treatment**
 - Neo-natal/dermatological therapies
 - Dental treatment
- ◆ **Industrial/Scientific lighting**
 - Forensic investigation
 - Fluorescence and Spectroscopy
 - Machine Vision and inspection
 - Projection & backlighting systems
 - Vehicle lighting

ENFIS LIMITED
Technium 2, Kings Road,
Swansea Waterfront,
Swansea, SA18PJ, UK
Tel +44 (0)1792 485660
Fax +44 (0)1792 485537
www.enfis.com
info@enfis.com



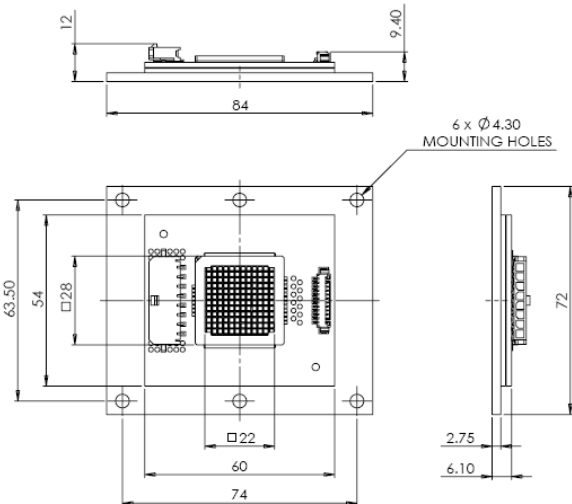


ENFIS QUATTRO Mini Array Blue 465nm

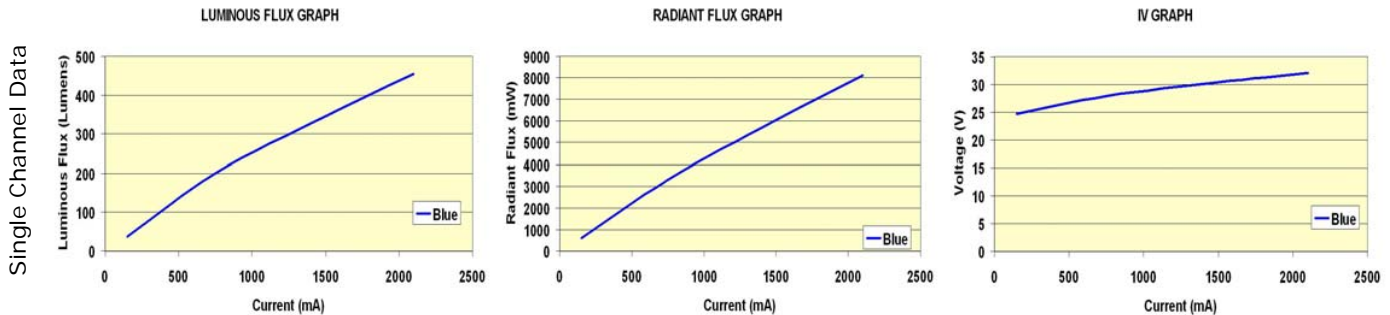
Technical Specification

Electro-Optical Characteristics

Channel	Single Channel			All Channels		
	Min	Typ	Max	Min	Typ	Max
Rated Current If (mA)		1550			6200	
Forward Voltage Vf (Volts)	28	32	36	28	32	36
Peak Wavelength λ_p (nm)	450	465	470	450	465	470
Dominant Wavelength λ_d (nm)	455	470	475	455	470	475
Spectral Width $\Delta\lambda$ (nm)	15	23	30	15	23	30
Total Radiant Flux Φ_R (mW)	5500	6900		20000	24000	
Radiant Flux Density Φ_R/A (mW/cm ²)	1136	1426		3719	4545	
Total Luminous Flux Φ_L (Lumens)	350	420		1200	1450	
Luminous Flux Density Φ_L/A (lm/cm ²)	72	87		248	300	
Total Electrical Power P (W)		50			200	



All measurements performed at a heatsink temperature of 25°C



Storage Regime

Storage Temperature -20°C to +85°C

Weight

Array 0.2kg

Heat Generation

Proper thermal design of the end product is of paramount importance. The operational junction temperature of each LED chip should be kept below 125°C.

Please contact Enfis for further support in this matter.

Connector Types (not supplied)

Drive Molex 0436500812
Thermistor / Feedback Molex 532611271

Cleaning

Avoid touching the LED array surface.
To clean—BLOW surface with either dry air or nitrogen gas

Eye Safety Precautions

The light output of the products may cause injuries to human eyes in circumstances where the products are viewed directly with unshielded eyes for more than a few seconds.

Please refer to IEC 60825-1:2001 for further information



ENFIS LIMITED
Technium 2, Kings Road,
Swansea Waterfront,
Swansea, SA18PJ, UK
Tel +44 (0)1792 485660
Fax +44 (0)1792 485537
www.enfis.com
info@enfis.com

