

Flexible LED Light Strip

30 LEDs per strip

OVQ12S30x7

1 strip	Length: 19.7 inches	Contains 30 LEDs
Unit Price = 1 strip		

UL FILE E339817

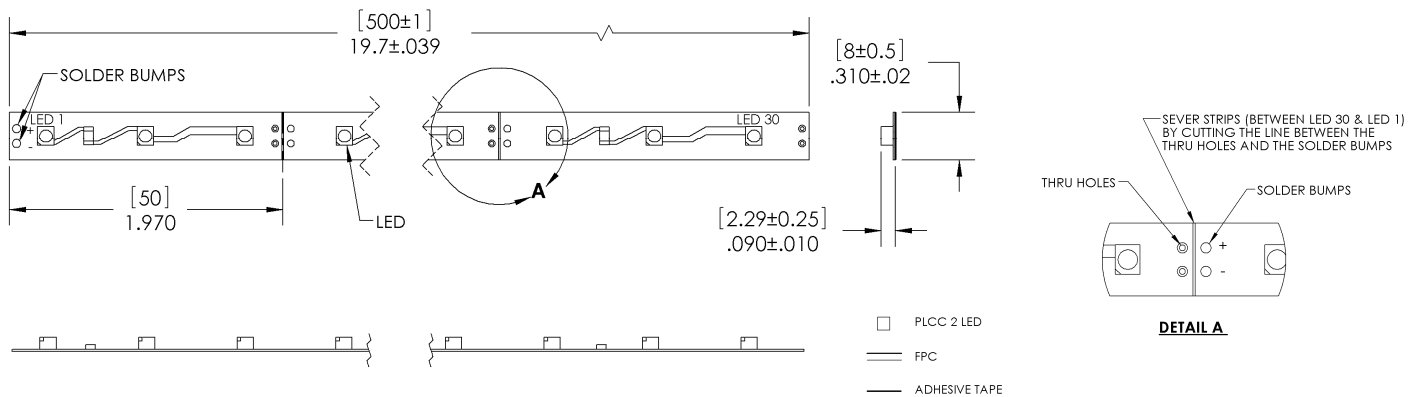


This LED Light Strip is a flexible and scalable lighting solution using high brightness LEDs to supply illumination for residential, commercial, and industrial applications. Up to 16 feet (5 meters) can be operated with a single 12V power supply. Dual-sided tape provides easy installation in most indoor applications and allows many different configurations.

Applications

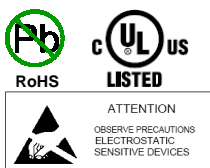
- Commercial and residential decoration
- Under-counter lighting
- Media illumination
- Large area backlighting
- Small to medium channel letters
- Point-of-sale displays
- Neon replacement

Part Number	Color	Material	Dominant Wavelength λ_D (nm) or CCT (K) Typical	Typical Illumination (lux @ 0.5m)
OVQ12S30B7	Blue	InGaN	470nm	20
OVQ12S30G7	Green	InGaN	525nm	50
OVQ12S30R7	Red	AllnGaP	625nm	32
OVQ12S30W7	White	InGaN	5500K	68
OVQ12S30WW7	Warm White	InGaN	3300K	60
OVQ12S30Y7	Yellow	AllnGaP	590nm	32



Notes:

- All dimensions are in inches [millimeters].
- Flexible strip can be cut at the end of any section.
- Each unit begins with solder pads for wire connection.
- 12-volt, 20 Watt power supply is sufficient for up to 300 LEDs (1 reel).



**DO NOT LOOK DIRECTLY
AT LED WITH UNSHIELDED
EYES OR DAMAGE TO
RETINA MAY OCCUR.**

OPTEK reserves the right to make changes at any time in order to improve design and to supply the best product possible.

Flexible LED Light Strip

OVQ12S30x7

Absolute Maximum Ratings $(T_A = 25^\circ\text{C}$ unless otherwise noted)

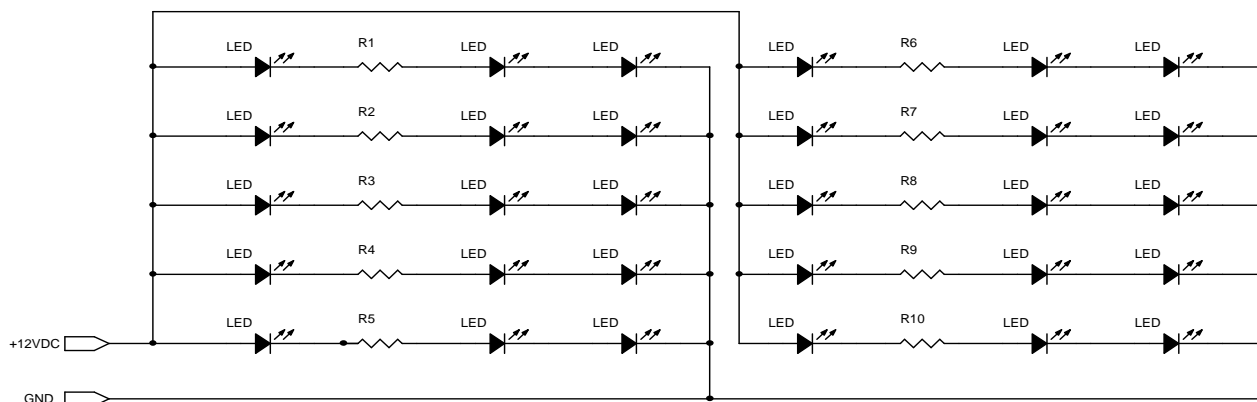
Storage Temperature Range		-40 ~ +80°C
Operating Temperature Range		-30 ~ +50°C
Mounting Surface Temperature		60°C
Input Voltage (DC)		12 V
Power Dissipation	Red / Yellow	2.7 W
	Green / Blue	2.3 W
	White/ Warm White	
LED Junction Temperature		125°C
Electrostatic Discharge Classification (JEDEC-JESD22-A114F)		Class 1C
Flammability Rating of the Flex Circuit		V0

Typical Specification $(T_A = 25^\circ\text{C}$ unless otherwise noted)

Input Voltage (DC)*		12 V
Power Consumption	Red / Yellow	1.9 W
	Green / Blue	1.6 W
	White/ Warm White	
Beam Angle		120°
Net Weight		5 g

* Exceeding the typical input voltage can damage the LEDs and reduce the operating life of the product.

Product Circuit

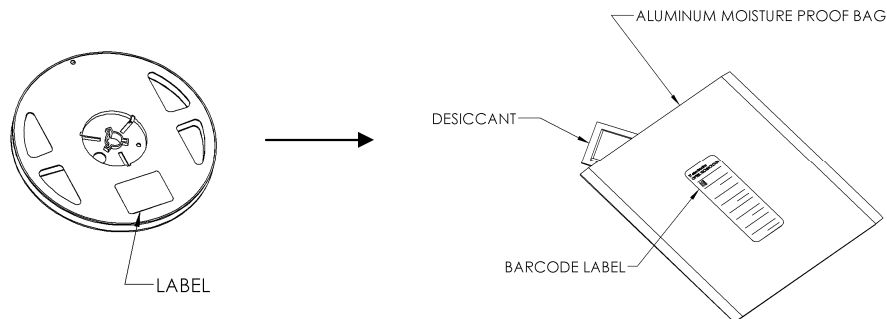


OPTEK reserves the right to make changes at any time in order to improve design and to supply the best product possible.

Flexible LED Light Strip

OVQ12S30x7

Packaging: 7" reel / 10 strips per reel



OPTEK reserves the right to make changes at any time in order to improve design and to supply the best product possible.