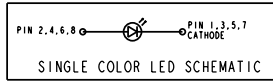
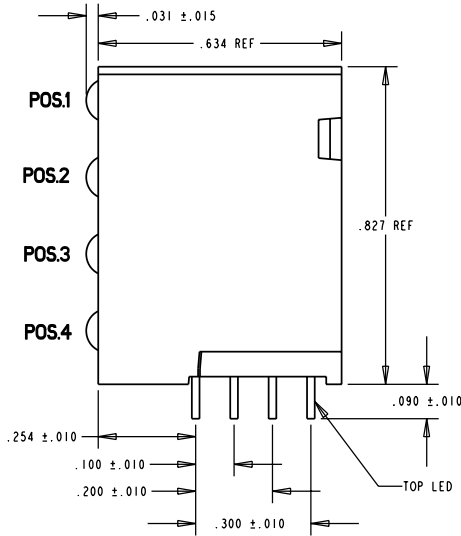
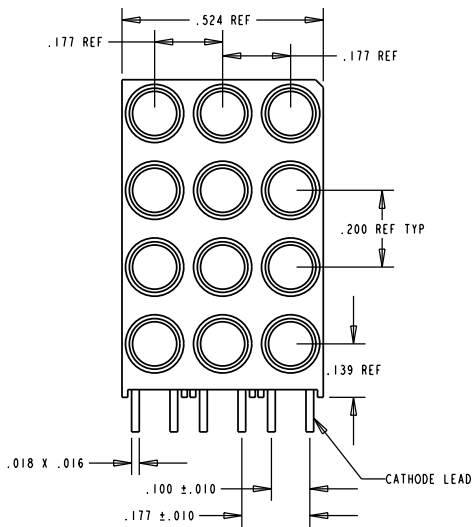


PART NUMBER	POSITION 1	POSITION 2	POSITION 3	POSITION 4
568-0241-1113	RED DIFFUSED	RED DIFFUSED	RED DIFFUSED	RED DIFFUSED
568-0242-2223	GREEN DIFFUSED	GREEN DIFFUSED	GREEN DIFFUSED	GREEN DIFFUSED
568-0243-3333	YELLOW DIFFUSED	YELLOW DIFFUSED	YELLOW DIFFUSED	YELLOW DIFFUSED



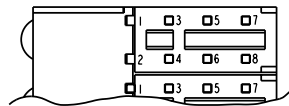
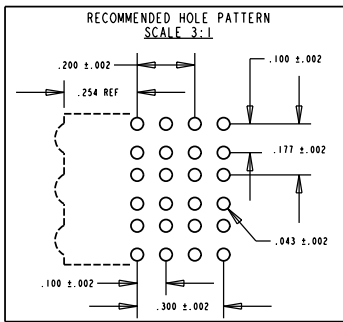
REV.	ECN NO.	REVISIONS	DRN.	CKD.	APP.	DATE
A		NEW RELEASE	TC			



NOTES:

- LEADS TO FIT INTO HOLES SPACED AS PER HOLE PATTERN
- LEADS TO BE FREE OF DEFORMATION AFTER BENDING AND CUTTING
- PIN NUMBERS FOR REFERENCE ONLY, DESIGNATION NON-EXISTENT ON PART
- LED LEAD DIMENSIONS SHOWN ARE MEASURED AT HOUSING EXIT
- PACKAGING = 105 BLOCKS PER TRAY
- DIALIGHT PART NUMBER: 568-024X-XXX3

OPERATING CHARACTERISTICS AT 25°C AMBIENT						
CHARACTERISTICS	LED COLOR	MIN	TYP	MAX	UNITS	TEST CONDITIONS
LUMINOUS INTENSITY	RED	1.0	1.6		mcd	I <sub>f</sub> = 2 mA
	GREEN	1.0	1.6			
	YELLOW	1.0	1.6			
FORWARD VOLTAGE	RED	1.7	2.2		V	I <sub>f</sub> = 2 mA
	GREEN	1.9	2.2			
	YELLOW	1.8	2.7			
REVERSE CURRENT	ALL	10			µA	V <sub>r</sub> = 5 V
	RED	635				
PEAK WAVELENGTH	RED	635			nm	
	GREEN	565				
	YELLOW	585				
VIEWING ANGLE	ALL	60			Degree	



ABSOLUTE MAXIMUM RATING AT 25°C AMBIENT		
PARAMETER	UNITS	ALL
POWER DISSIPATION	mW	20
CONTINUOUS FORWARD CURRENT	mA	7
FORWARD SURGE CURRENT (10 µ SEC PULSE)	mA	500
REVERSE VOLTAGE	V	5
LEAD SOLDERING TEMPERATURE, 5 SEC., 1/16" FROM BODY	°C	260
OPERATING TEMPERATURE	°C	-55 TO +100
STORAGE TEMPERATURE	°C	-55 TO +100

THIS DRAWING AND THE CONTENTS HEREIN ARE CONFIDENTIAL AND THE SOLE PROPERTY OF DIALIGHT. REPRODUCTION OF THIS DRAWING OR CONSTRUCTION OF ANY PARTS WITHIN THIS DRAWING ARE FORBIDDEN WITHOUT THE WRITTEN CONSENT OF DIALIGHT.

SCALE 4:1

DRAWING NUMBER	REV
C-16612	A
TITLE	
4X3 CBI ARRAY BLOCK	
MATERIAL	
FINISH:	
FSCM	83330
SHEET	OF
FAMILY TABLE:	

Dialight 1913 ATLANTIC AVE. MANASQUAN, N.J. 08736